

LHD

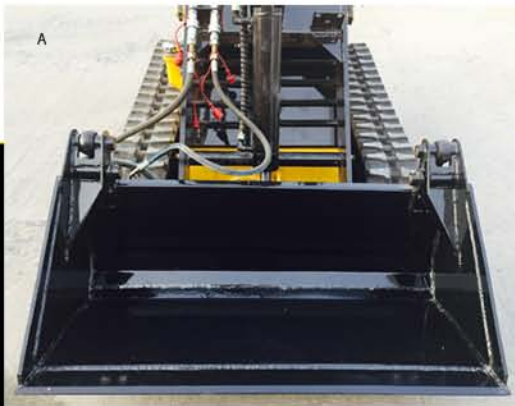
We Believe In More Affordable Equipment
Designed and Assembled in the USA
With Parts From Around The World



TRANSFORMING PRODUCTIVITY

LHD 2000

SPECIFICATIONS AND FEATURES



2000

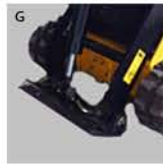
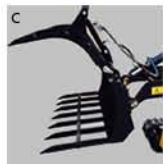
Rugged / Compact Design
Tough Treads
Wide Variety of Attachments
Single Joystick Control for Arm and Attachments
Standard Skid Steer Drive Controls
20 HP Honda Gas Engine

2000D

Adds:
25 HP Perkins
Diesel Engine

2000X

Adds:
Joystick Control for
Independent Track Drive
25 HP Perkins
Diesel Engine
Lockable Auxiliary
Variable Single Speed



Operating Capacity: 525 lbs (238 kgs)

Weight (No Attachment): 2271 lbs (1030 kgs)

Width: 42.7 inches

High Flow Auxiliary / Triple Hydraulic Pump: 6.5 gal/min

Tipping Load: 1500 lbs (680 kgs)

Top Speed: 3.5 MPH

Dump Height: 73.5 inches

Fuel Capacity: 7.2 gal (27 liters)

- A - Attachments, like the 4 in 1 Bucket, Load and Unload Material Quickly
- Steel Frame is designed for overall Strength and Performance
- B - Single Joy Stick Controls Arm and Attachment Movements
- Lightweight Enough for Single Axel Trailer
- 42.7 inch width allows for stability but also entry into small areas
- C - Always have the perfect tool for the job with universal attachments. See List on Back
- D - Rubber Tracks For Extra Load Capacity, Flotation and Traction
- E - Engine: Perkins Diesel (25hp) with Electric Start
- F - Double Hydraulic Rams for Extra Power and Stability
- G - Simple Universal Standard Connections for Attachments

5



AFFORDABLE AND EFFECTIVE EQUIPMENT DESIGNED AND ASSEMBLED IN THE USA WITH PARTS FROM AROUND THE WORLD

Watch Video and See Pictures at lhdmachinery.com

P.O. Box 265 Carmel, Indiana 46082

1-888-LHD-7472



LHD

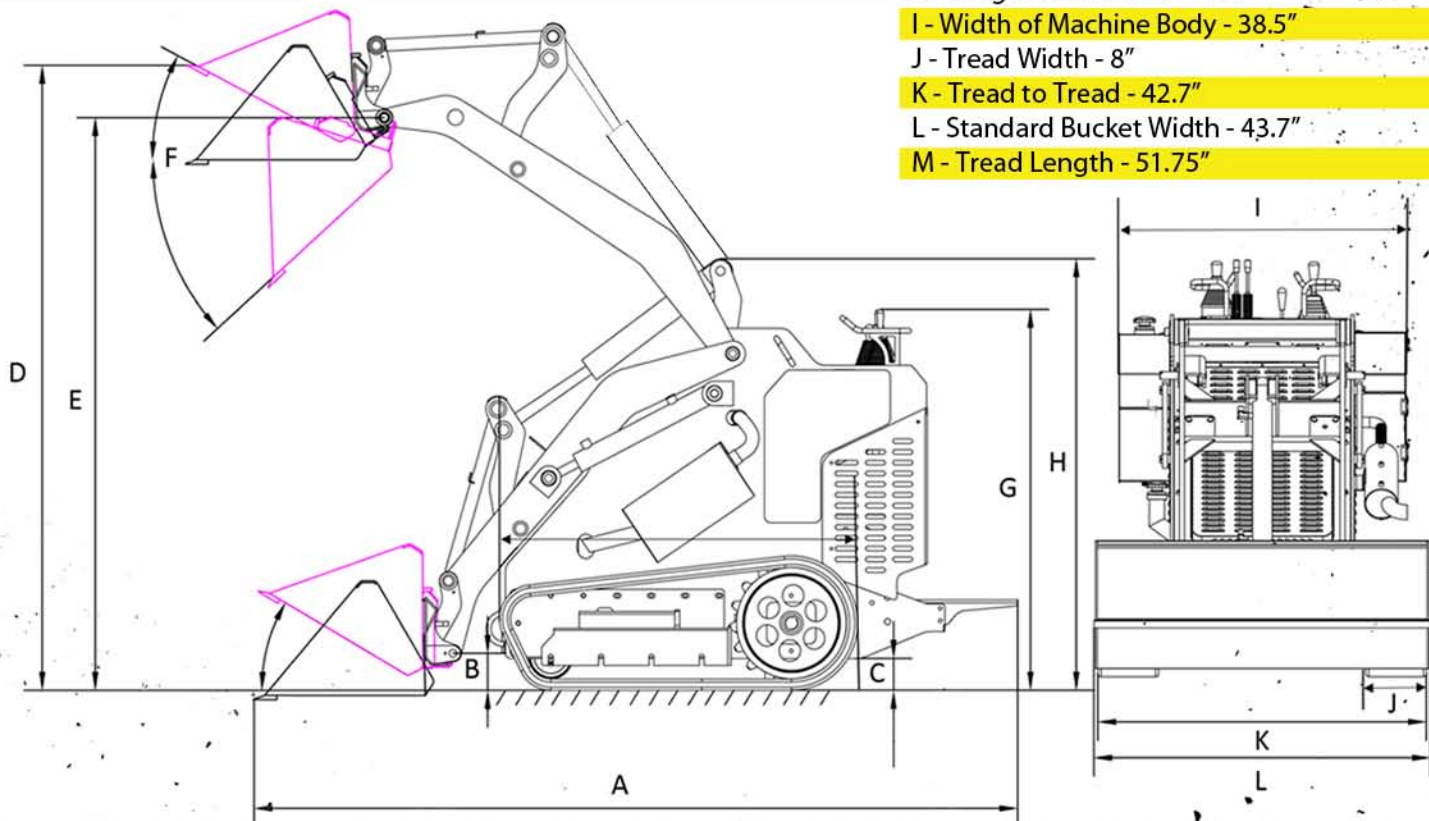
Available Attachments

- Standard Bucket
- Grapple Bucket
- 4 in 1 Bucket
- Hydraulic Breaker
- Trencher
- Auger
- Pallet Fork
- Backhoe
- Mini Digger
- Snow Blower
- Mower
- Ripper
- Land Leveler
- Sweeper
- Stump Grinder
- Stone Bucket



LHD 2000D

- A - Machine Length - 99.2"
- B - Attachment Plate to Ground - 4.8"
- C - Ground Clearance - 4.1"
- D - Tallest Height of Standard Bucket - 80.2"
- E - Dump Height - 73.5"
- F - Degree of Rotation - 70
- G - Controls to Ground - 47.5"
- H - Height of Machine - 53.4"
- I - Width of Machine Body - 38.5"
- J - Tread Width - 8"
- K - Tread to Tread - 42.7"
- L - Standard Bucket Width - 43.7"
- M - Tread Length - 51.75"



AFFORDABLE AND EFFECTIVE EQUIPMENT DESIGNED AND ASSEMBLED IN THE USA WITH PARTS FROM AROUND THE WORLD

Watch Video and See Pictures at lhdmachinery.com

P.O. Box 265 Carmel, Indiana 46082

1-888-LHD-7472

