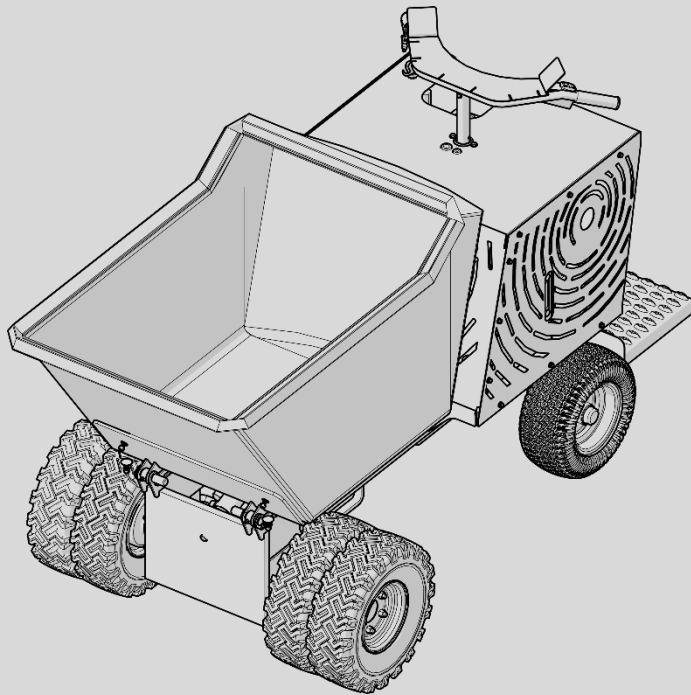




5000_{WB} WHEELED BUGGY

Parts Manual



This manual should be kept on hand at all times so that it can be immediately referenced. It should be saved for the entire life of the machine.

© 2025 - The entire or partial reproduction and/or divulging of this document is prohibited in any form without the written consent of the company. The editing of the text, the illustrations, and the paginations were completed by "LHD Machinery, LLC." The illustrations and technical data included in this manual are non binding: *the manufacturer reserves the right to carry out eventual changes to its machine without notice.*

Ed. 3 – 4/18/25

LHD Machinery, LLC
1-888-LHD-7472
LHDMachinery.com

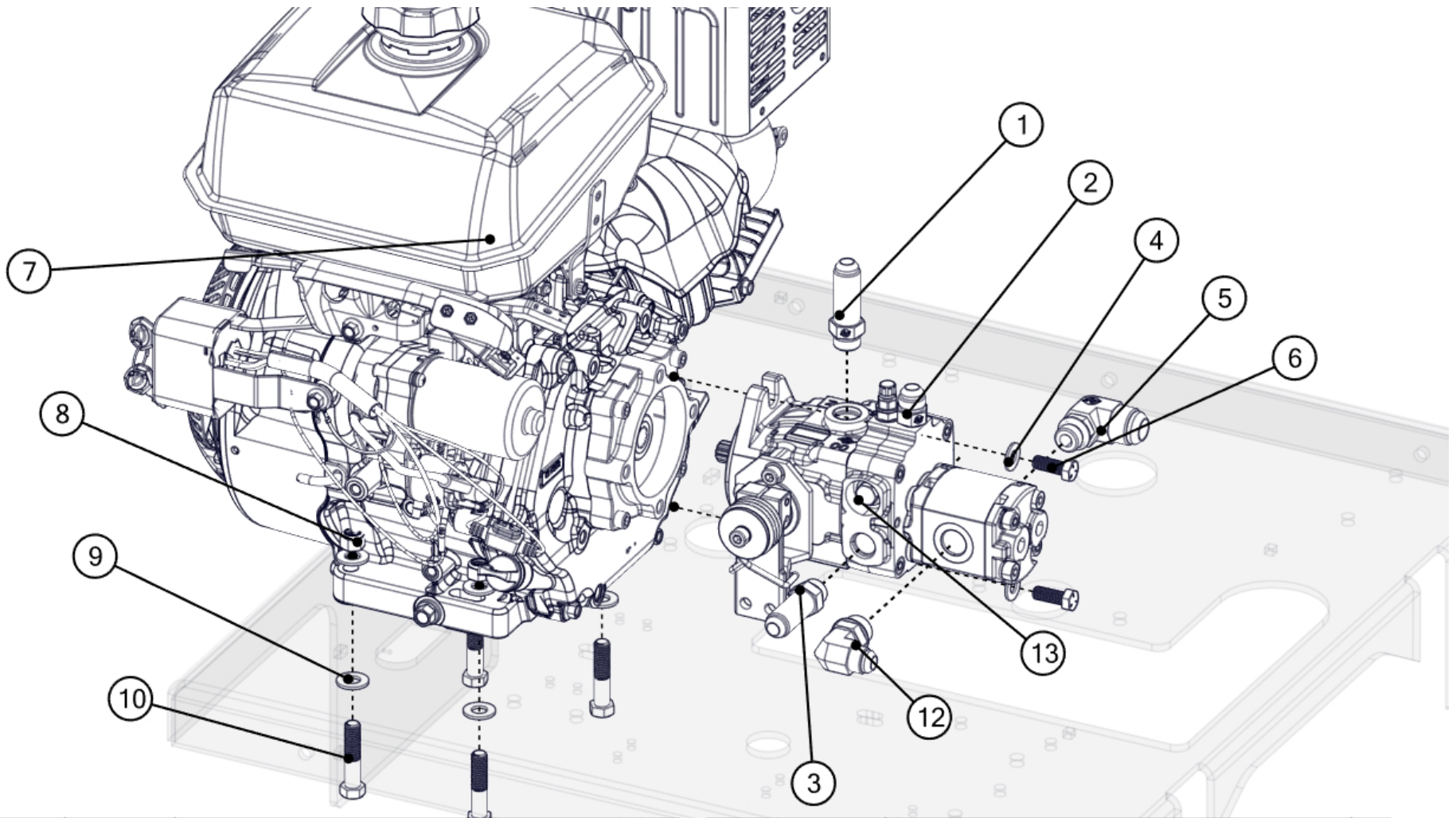
Email / Faxes to:
info@lhdmachinery.com

Find the latest edition of
this Parts Manual at:
Lhdmachinery.com/parts

Table of Contents

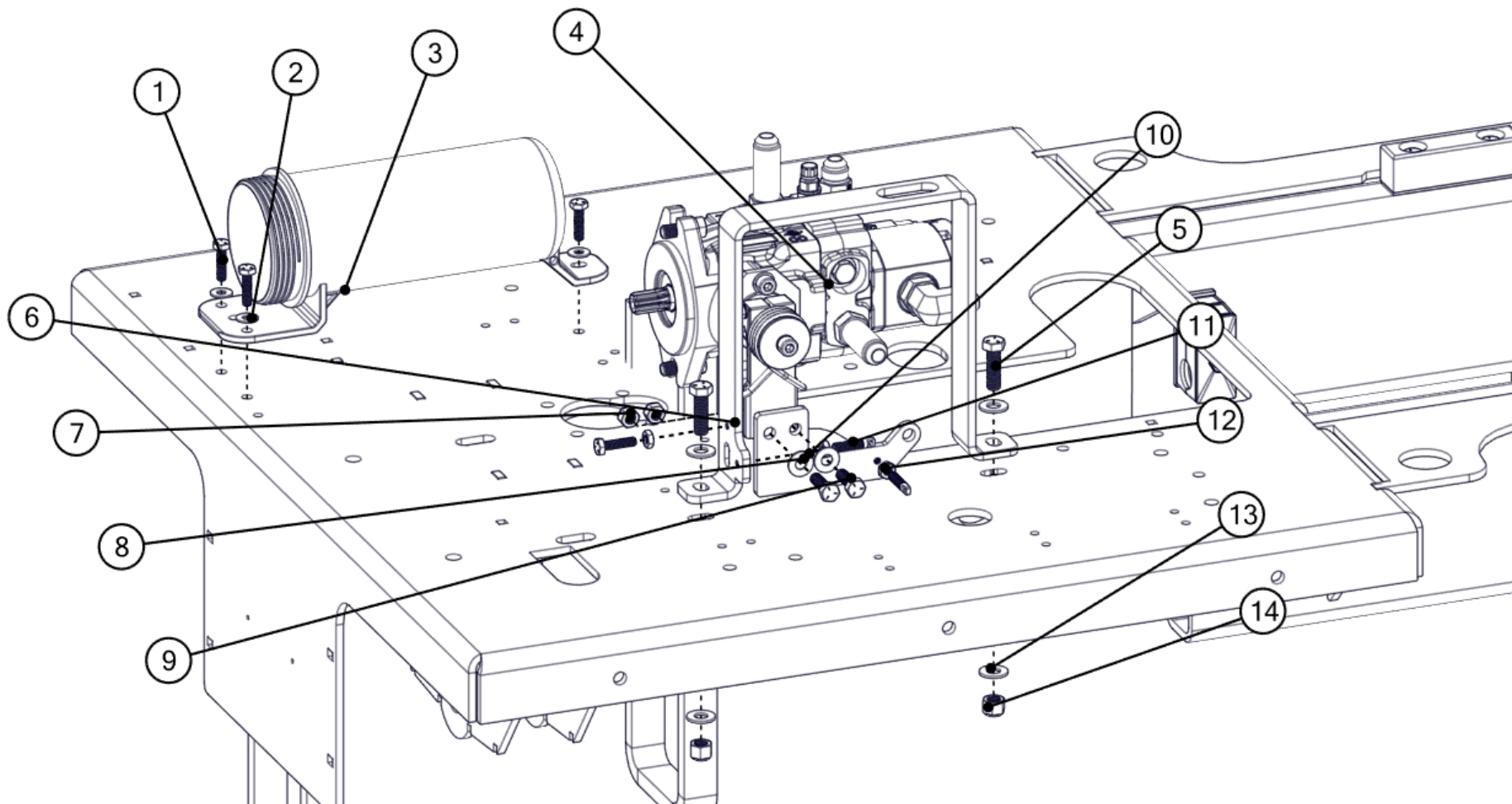
Engine and Pumps	1
Speed Control and Document Tube	2
Housing, Battery and Hydraulic Tank	3
Directional Valve, Park Brake and Cooler	4
Standing Platform	5
Rear Ale Assembly	6 - 9
Wheel Motor Assembly	10
Hydraulic Cooler and Filter	11
Directional Valve and Bucket Valve	12
Drive Hoses	13
Bucket Plate	14
Dump Cylinder	15
Bucket	16
Engine Housing, Battery and Hydraulic Tank	17
Controls	18
Hydraulic Hoses	19 - 21
Cables	22
Panels	23





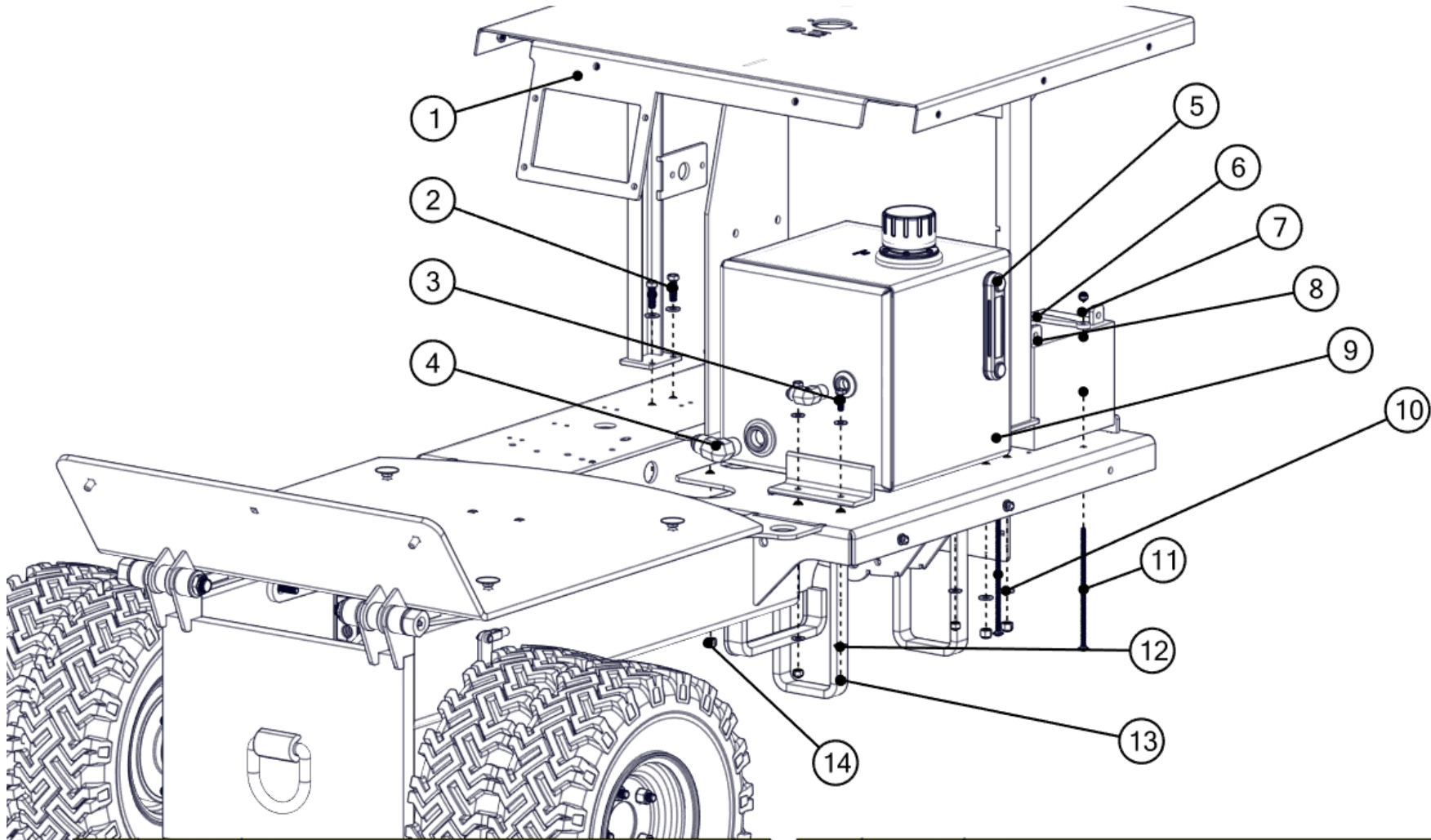
BOM ID	Part Number	Title	Qty
1	.6400L-08-08	.6400L-08-08	1
2	.6400-08-06	.6400-08-06	1
3	.6400L-08-08	.6400L-08-08	1
4	WISS38	Stainless Steel Washer for 3/8" Screw Size, 0.406" ID, 0.75" OD	2
5	.6801-12-08	.6801-12-08	1
6	BIZ3816	3/8"-16 HHCS x 1.00" Lg. - Gr. 5 - Zinc Plated	2
7	101-0-14	14Hp Engine	1

BOM ID	Part Number	Title	Qty
8	LNIZ51614	NUT-NYLOCK-.4375-14 ZINC	4
9	WIZ716	7/16" Zinc-Plated Steel SAE Washer	8
10	BIZ716142	HHCS-.437-14X2.00-ZINC	4
12	.6801-08-10	.6801-08-10	1
13	101-0-15	Wheel Buggy Pump	1



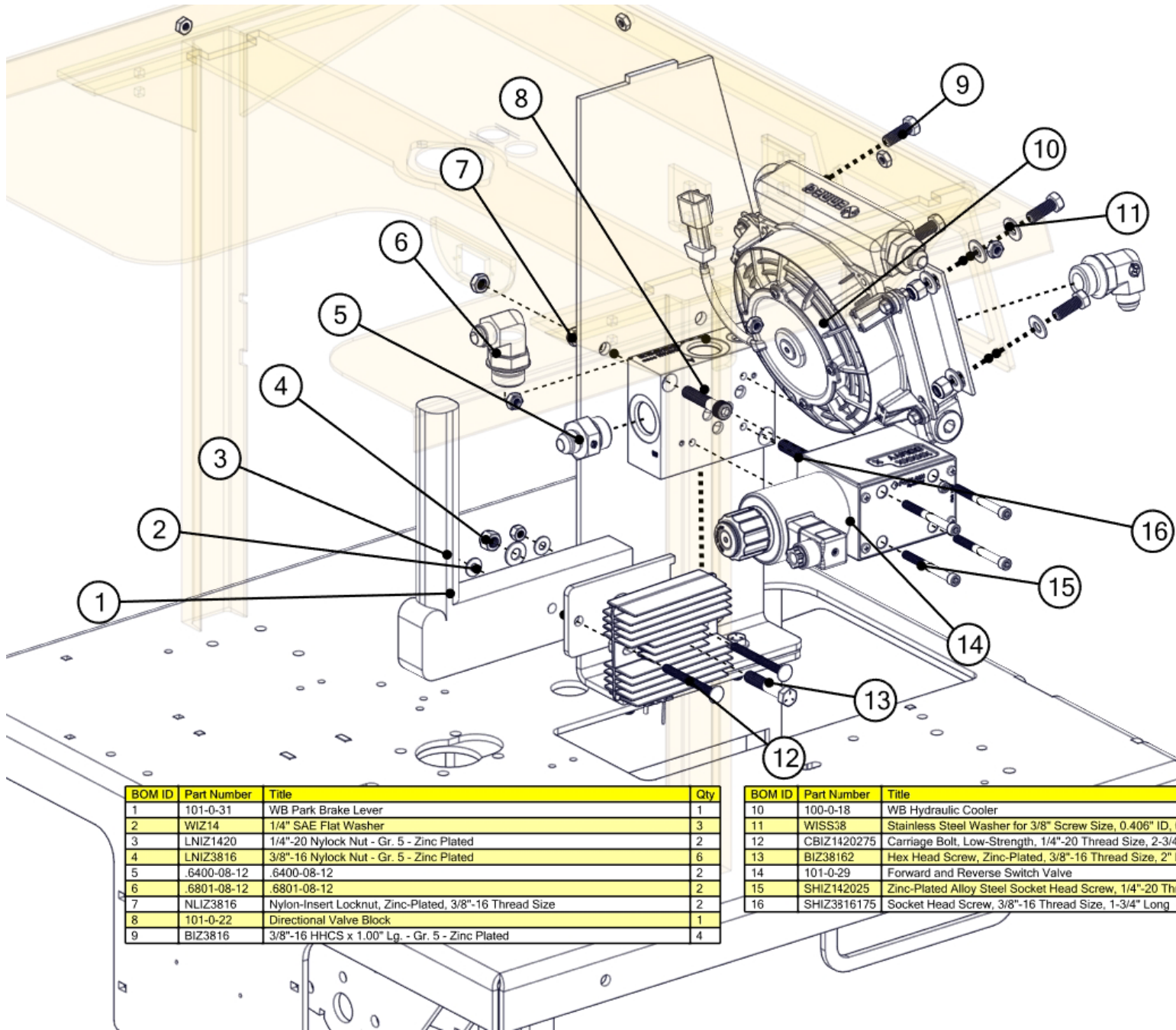
BOM ID	Part Number	Title	Qty
1	BIZ14201	Hex Head Screw, Zinc-Plated, 1/4"-20 Thread Size, 1" Long	4
2	WIZ14	1/4" SAE Flat Washer	6
3	102-0-48	Document Tube	1
4	101-0-15	Wheel Buggy Pump	1
5	BIZ3816	HHCS 3/8"-16 x 1.25" Lg. - Gr. 5 - Zinc Plated	2
6	31356-1092m	Swash Plate Control Panel	1
7	LNIZ51618	5/16"-18 Nylock Nut - Gr. 5 - Zinc Plated	2
8	WIZ516	5/16" SAE Flat Washer	2

BOM ID	Part Number	Title	Qty
9	BIZ516181	Hex Head Screw, Zinc-Plated, 5/16"-18 Thread Size, 1" Long	2
10	31356-1042m	Swash Plate Control	1
11	SI2520	Extension Spring Stud Anchor, 1/4"-20 Thread Size, 0.15" Hole Diameter	2
12	NIZ 420	Thin Hex Nut, Grade 5, 1/4"-20 Thread Size	3
13	WISS38	Stainless Steel Washer for 3/8" Screw Size, 0.406" ID, 0.75" OD	4
14	LNIZ3816	3/8"-16 Nylock Nut - Gr. 5 - Zinc Plated	2



BOM ID	Part Number	Title	Qty
1	31356-0003m	Top Plate Assembly	1
2	BIZ3816	HHCS 3/8"-16 x 1.25" Lg. - Gr. 5 - Zinc Plated	6
3	BIZ516181	5/16 - 18 1" Zinc Plated	3
4	.2501-12-12	.2501-12-12	1
5	NLJI1420	Thin Nylon-Insert Locknut, Zinc-Plated, 1/4"-20 Thread Size	2
6	31355-1096	Battery Hold Down	1
7	WIZ14	1/4" SAE Flat Washer	4
8	100-0-5	Interstate SP-40	1

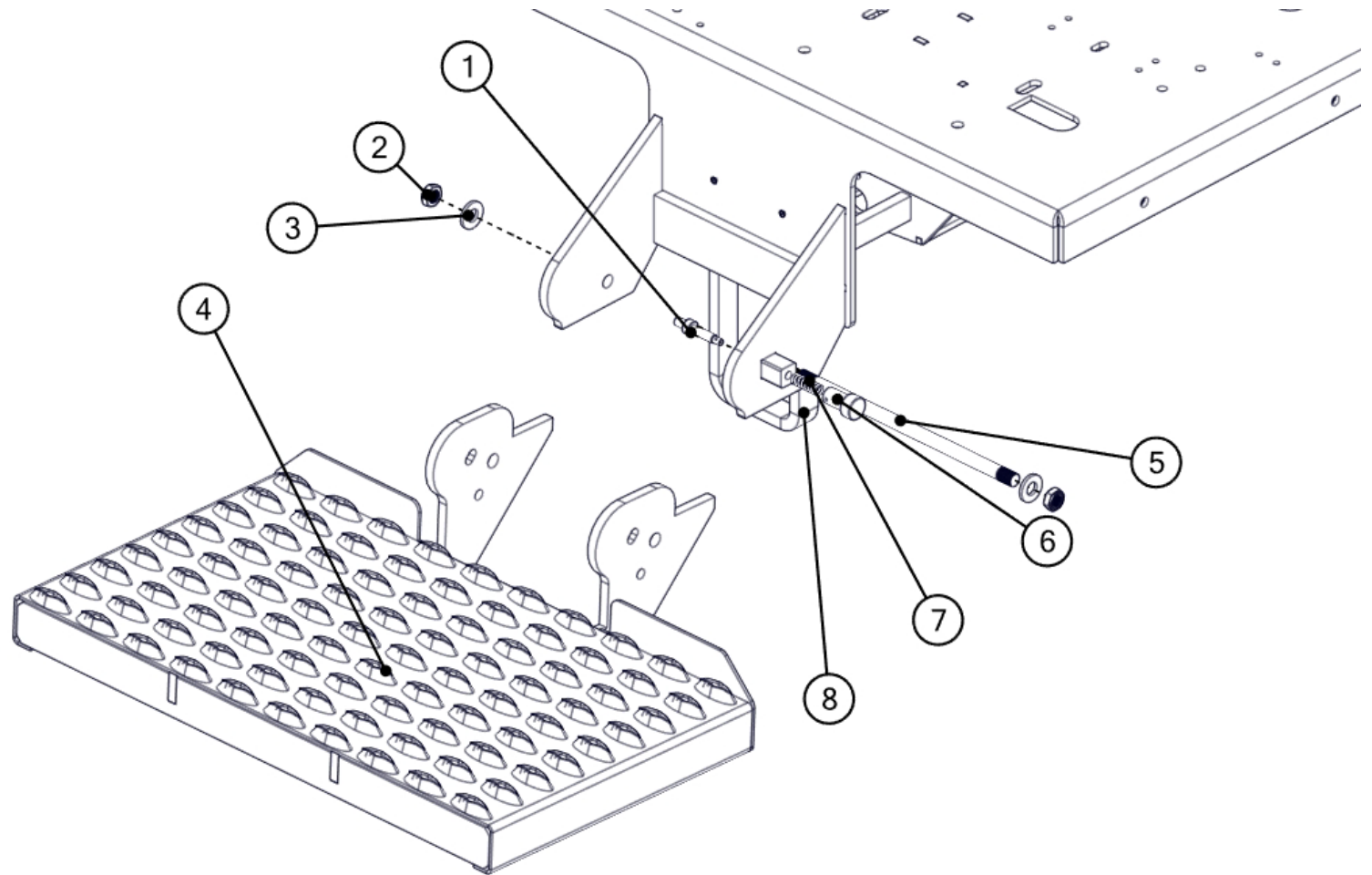
BOM ID	Part Number	Title	Qty
9	101-0-42	WB Hydraulic Tank	1
10	WISS38	Stainless Steel Washer for 3/8" Screw Size, 0.406" ID, 0.75" OD	10
11	CBIZ14257	Carriage Bolt, Medium-Strength, Zinc-Plated, 1/4"-20 Thread Size, 7" Long	2
12	WIZ516	5/16" SAE Flat Washer	6
13	LNIZ51618	5/16"-18 Nylock Nut - Gr. 5 - Zinc Plated	3
14	LNIZ3816	3/8"-16 Nylock Nut - Gr. 5 - Zinc Plated	5



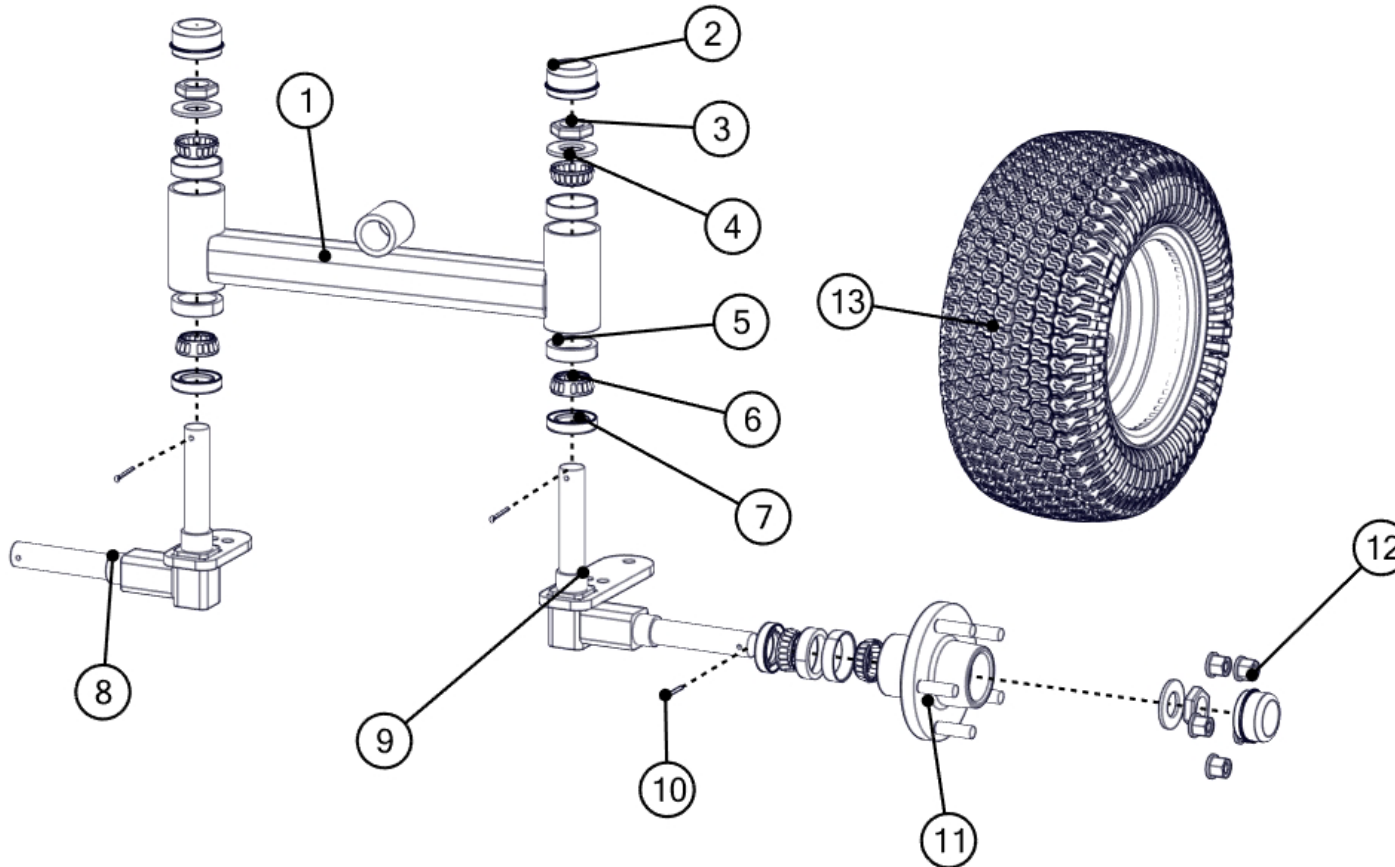
BOM ID	Part Number	Title	Qty
1	101-0-31	WB Park Brake Lever	1
2	WIZ14	1/4" SAE Flat Washer	3
3	LNIZ1420	1/4"-20 Nylock Nut - Gr. 5 - Zinc Plated	2
4	LNIZ3816	3/8"-16 Nylock Nut - Gr. 5 - Zinc Plated	6
5	.6400-08-12	.6400-08-12	2
6	.6801-08-12	.6801-08-12	2
7	NLIZ3816	Nylon-Insert Locknut, Zinc-Plated, 3/8"-16 Thread Size	2
8	101-0-22	Directional Valve Block	1
9	BIZ3816	3/8"-16 HHCS x 1.00" Lg. - Gr. 5 - Zinc Plated	4

BOM ID	Part Number	Title	Qty
10	100-0-18	WB Hydraulic Cooler	1
11	WISS38	Stainless Steel Washer for 3/8" Screw Size, 0.406" ID, 0.75" OD	12
12	CBIZ1420275	Carriage Bolt, Low-Strength, 1/4"-20 Thread Size, 2-3/4" Long	2
13	BIZ38162	Hex Head Screw, Zinc-Plated, 3/8"-16 Thread Size, 2" Long, Partially Threaded	1
14	101-0-29	Forward and Reverse Switch Valve	1
15	SHIZ142025	Zinc-Plated Alloy Steel Socket Head Screw, 1/4"-20 Thread Size, 2-1/2" Long	4
16	SHIZ3816175	Socket Head Screw, 3/8"-16 Thread Size, 1-3/4" Long	2

Directional Valve, Park Brake and Cooler



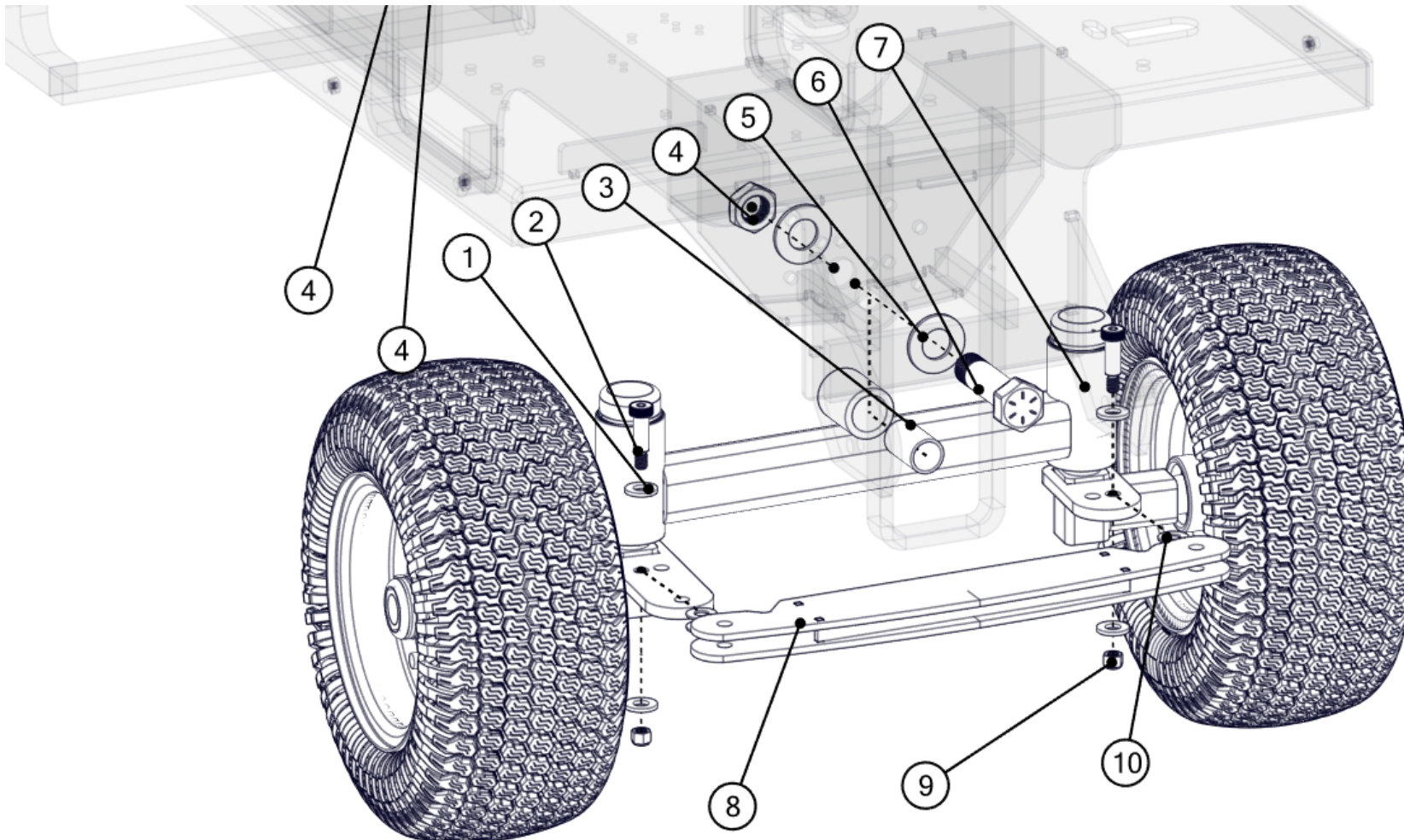
BOM ID	Part Number	Title	Qty
1	100-0-223	Platform pin	1
2	LNIZ1220	Thin Nylon-Insert Locknut, Zinc-Plated, 1/2"-20 Thread Size	2
3	WIZ5	WASHER-FLAT-0.500-GR5-ZINC	2
4	31356-0007m	Standing Platform Assembly	1
5	31356-1078	Standing Platform Pivot	1
6	100-0-224	Platform Knob	1
7	SIZ1125	Platform Pin Spring	1
8	SSMSS407	Extended-Tip Set Screws, M4 x 0.7 mm Thread, 8 mm Long	1



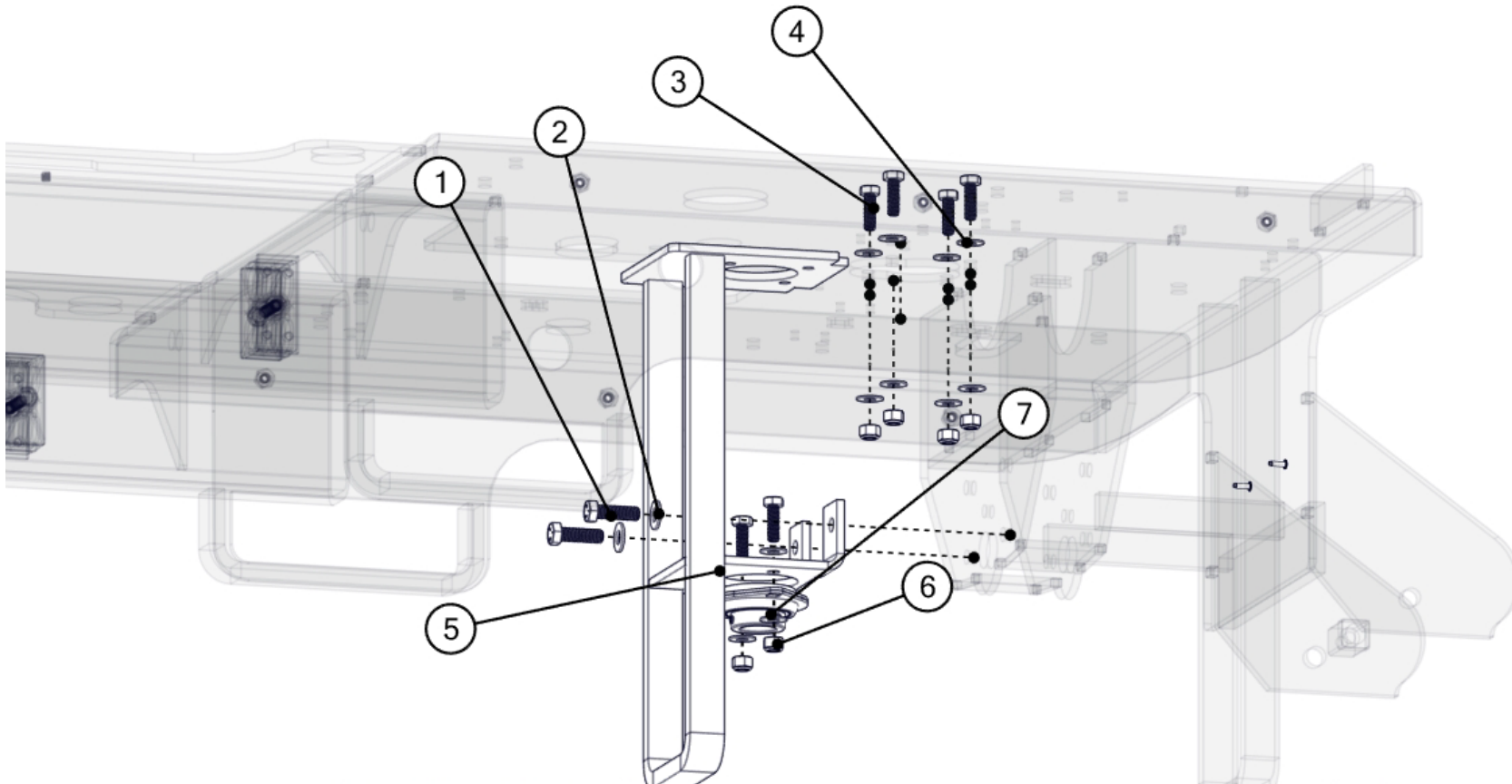
BOM ID	Part Number	Title	Qty
1	31356-0012m	Rear Wheel Axle Assembly	1
2	101-0-32	Spindle Cap	3
3	101-0-46	Spindle Nut	3
4	101-0-48	Spindle Washer	3
5	102-0-151	Bearing Race	6
6	101-0-34	Spindle Bearing	6
7	101-0-33	Bearing Seal	3

BOM ID	Part Number	Title	Qty
8	31356-0015m	Right Spindle Assembly	1
9	31356-0016m	Left Spindle Assembly	1
10	101-0-49	Spindle Cotter Pin	3
11	101-0-47	Wheel Hub	1
12	WNIZ1220	1/2-20 Lug Nut	5
13	HWRWTIRE	Rear Wheel Tire	1

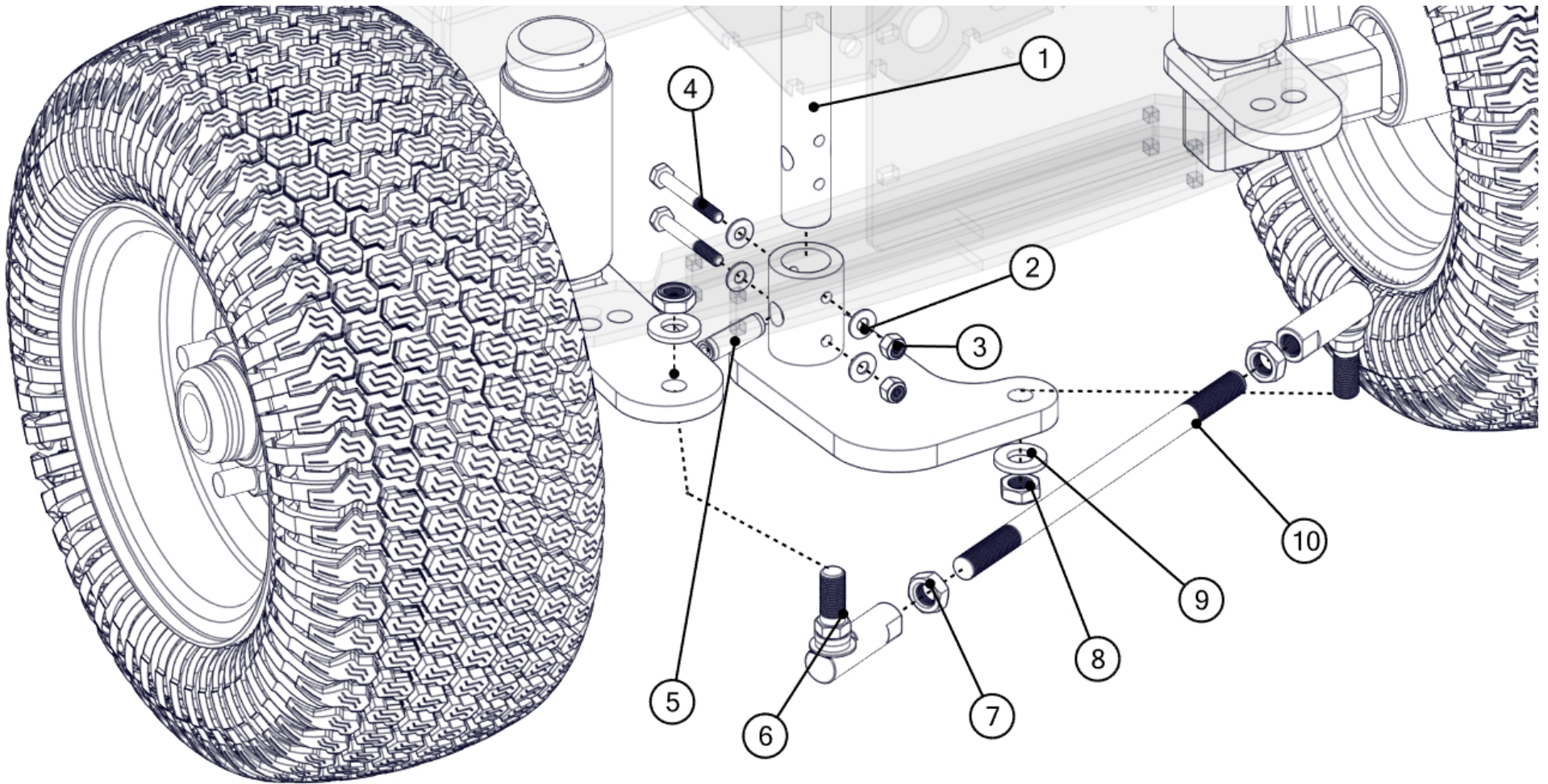
Rear Axle Assembly



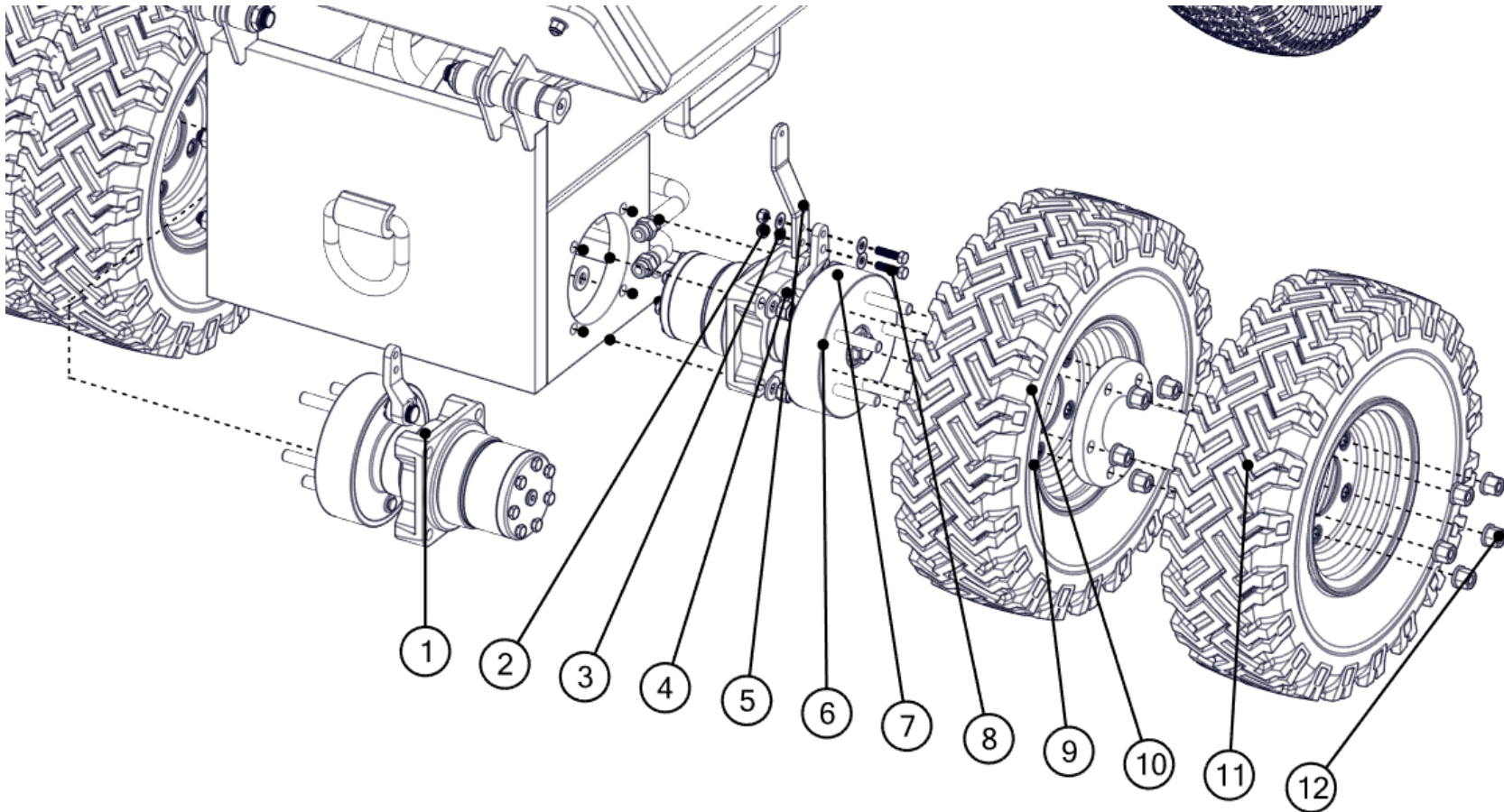
BOM ID	Part Number	Title	Qty
1	WIZ5	WASHER-FLAT-0.500-GR5-ZINC	4
2	SBIBP3816125	1/2" Shoulder Diameter, 1-1/4" Shoulder Length, 3/8"-16 Thread	2
3	HW1SLB	1in Sleeve Bushing	1
4	LNIZ114	NUT-NYLOCK-THIN 1.000-14 ZINC	1
5	WIZ1	1" SAE Flat Washer	2
6	MF036	Rear Axle Pivot Bolt	1
7	31356-0012m	Rear Wheel Axle Assembly	1
8	31356-0020-1	Spindle Linkage	1
9	LNIZ3816	3/8"-16 Nylock Nut - Gr. 5 - Zinc Plated	2
10	BSIO12	BEARING-THRUST-.500-OILEMBEDDED	4



BOM ID	Part Number	Title	Qty
1	BIZ3816	HHCS 3/8"-16 x 1.25" Lg. - Gr. 5 - Zinc Plated	2
2	WISS38	Stainless Steel Washer for 3/8" Screw Size, 0.406" ID, 0.75" OD	2
3	BIZ516181	Hex Head Screw, Zinc-Plated, 5/16"-18 Thread Size, 1" Long	6
4	WIZ516	5/16" SAE Flat Washer	12
5	31356-0018m	Shaft Bearing Mount Assembly	1
6	LNIZ51618	5/16"-18 Nylock Nut - Gr. 5 - Zinc Plated	6
7	101-0-8	Steering Bearing	1



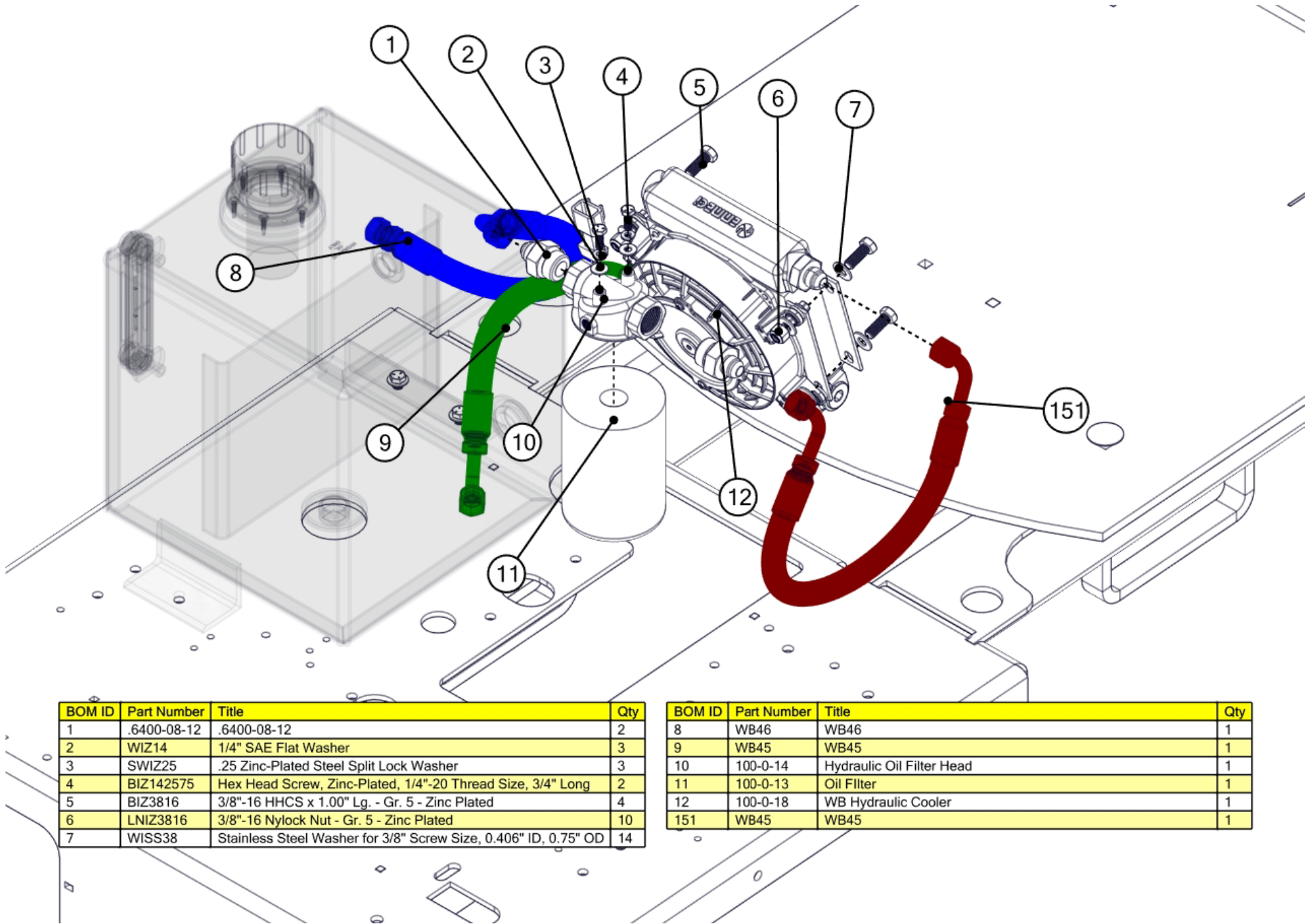
BOM ID	Part Number	Title	Qty
1	31356-1069	Manual Steering Shaft	1
2	WIZ14	1/4" SAE Flat Washer	4
3	LNIZ1420	1/4"-20 Nylock Nut - Gr. 5 - Zinc Plated	2
4	SHIZ25202	Hex Head Screw, Zinc-Plated, 1/4"-20 Thread Size, 2" Long, Partially Threaded	2
5	HWSPIN12	Lower Shaft Spring Pin	1
6	101-0-41	Ball Joing Linkage	2
7	NLJIZ1220	Thin Hex Nut, Grade 5, Zinc-Plated, 1/2"-20 Thread Size	2
8	LNIZ1220	Thin Nylon-Insert Locknut, Zinc-Plated, 1/2"-20 Thread Size	2
9	WIZ5	WASHER-FLAT-0.500-GR5-ZINC	2
10	31356-1073	Steering Linkage Bottom	1



BOM ID	Part Number	Title	Qty
1	101-0-37	WB Right Motor	1
2	LNIZ51618	5/16"-18 Nylock Nut - Gr. 5 - Zinc Plated	15
3	WIZ516	5/16" SAE Flat Washer	32
4	101-0-36	WB Left Motor	1
5	31356-1046m	Park Brake Lever	2
6	WIZ5	WASHER-FLAT-0.500-GR5-ZINC	24
7	LNIZ513	NUT-NYLOCK-.0500-13-GR5-ZINC	8

BOM ID	Part Number	Title	Qty
8	EIZ51618125	Hex Head Screw, 5/16"-18 Thread Size, 1-1/4" Long	4
9	101-0-2	Front Tire	4
10	101-0-43	Front Tire Rim	4
11	31356-0005	Wheel Flange Connector Assembly	2
12	WNIZ1220	1/2-20 Lug Nut	30

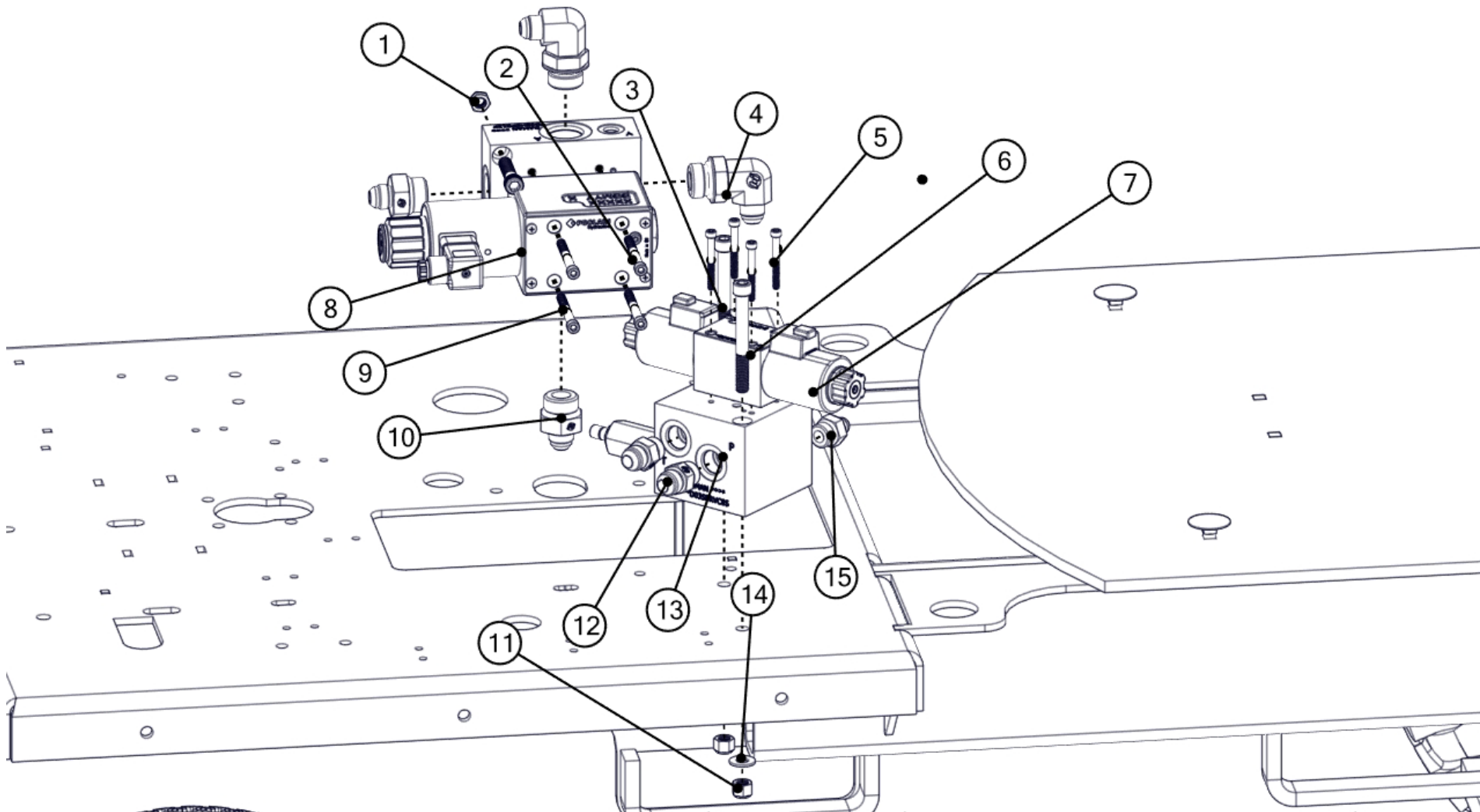
Wheel Motor Assembly



BOM ID	Part Number	Title	Qty
1	.6400-08-12	.6400-08-12	2
2	WIZ14	1/4" SAE Flat Washer	3
3	SWIZ25	.25 Zinc-Plated Steel Split Lock Washer	3
4	BIZ142575	Hex Head Screw, Zinc-Plated, 1/4"-20 Thread Size, 3/4" Long	2
5	BIZ3816	3/8"-16 HHCS x 1.00" Lg. - Gr. 5 - Zinc Plated	4
6	LNIZ3816	3/8"-16 Nylock Nut - Gr. 5 - Zinc Plated	10
7	WISS38	Stainless Steel Washer for 3/8" Screw Size, 0.406" ID, 0.75" OD	14

BOM ID	Part Number	Title	Qty
8	WB46	WB46	1
9	WB45	WB45	1
10	100-0-14	Hydraulic Oil Filter Head	1
11	100-0-13	Oil Filter	1
12	100-0-18	WB Hydraulic Cooler	1
151	WB45	WB45	1

Hydraulic Cooler and Filter

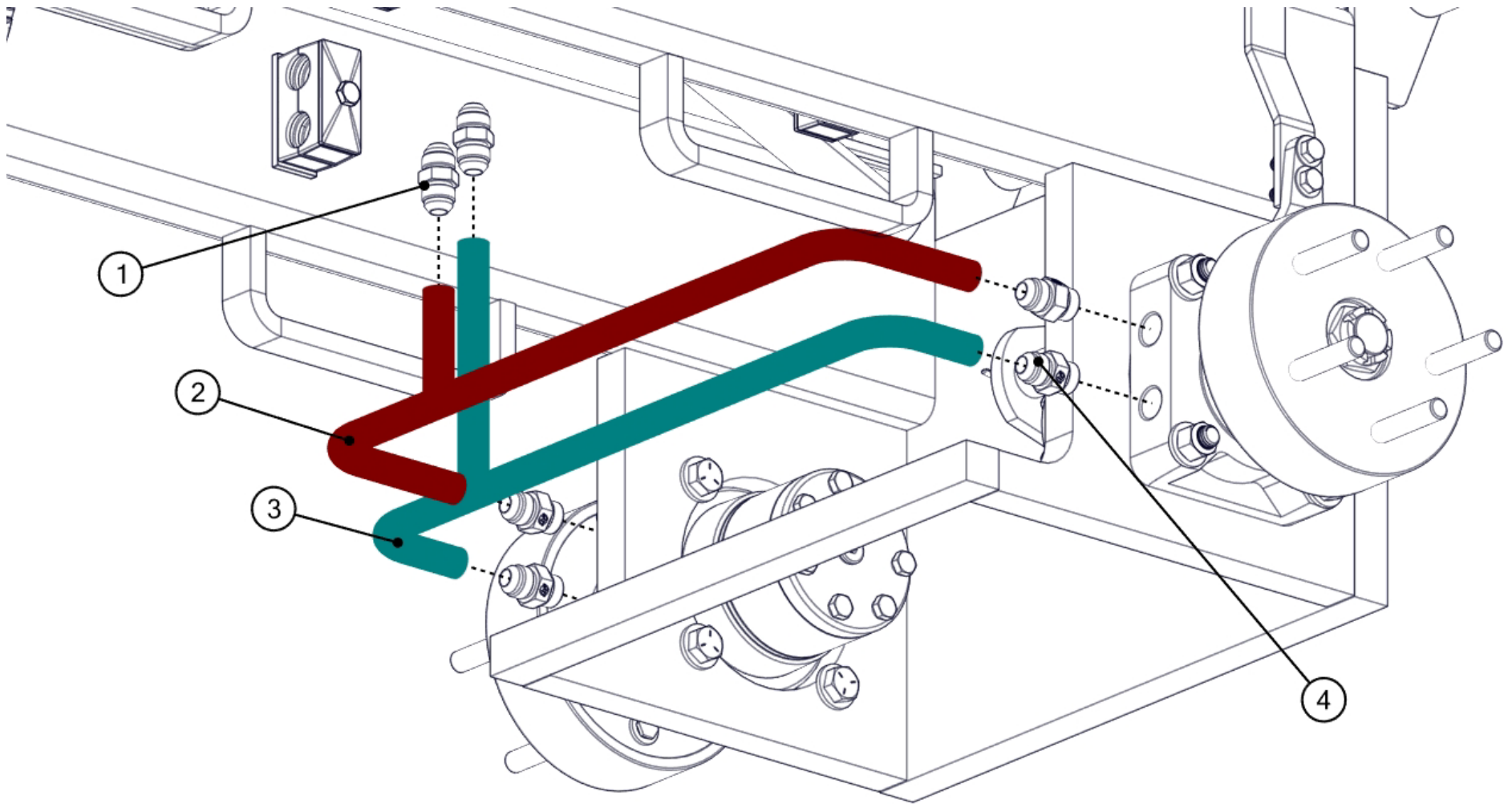


BOM ID	Part Number	Title	Qty
1	NLIZ3816	Nylon-Insert Locknut, Zinc-Plated, 3/8"-16 Thread Size	2
2	SHIZ3816175	Socket Head Screw, 3/8"-16 Thread Size, 1-3/4" Long	2
3	SHIZ3816325	Zinc-Plated Alloy Steel Socket Head Screw, 3/8"-16 Thread Size, 3-1/4" Long	2
4	6801-08-12	6801-08-12	2
5	SHIBP1024175	Black-Oxide Alloy Steel Socket Head Screw, 10-24 Thread Size, 1-3/4" Long, Partially Threaded	4
6	101-0-54	Bucket Dump Valve	1
7	6400-06-06-R.000	6400-06-06-R.000	1
8	101-0-29	Forward and Reverse Switch Valve	1

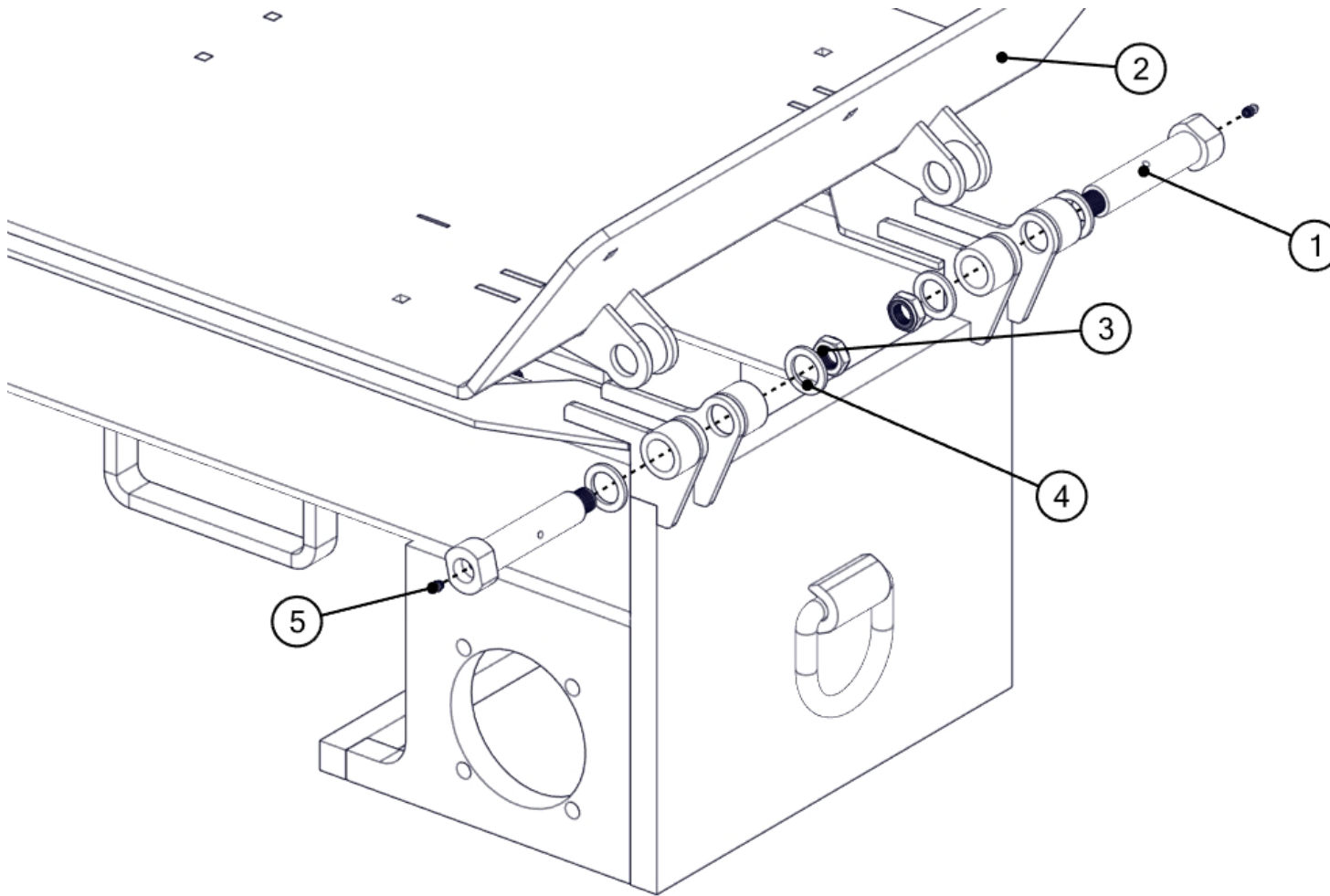
BOM ID	Part Number	Title	Qty
9	SHIZ142825	Zinc-Plated Alloy Steel Socket Head Screw, 1/4"-20 Thread Size, 2-1/2" Long	4
10	6400-08-12	6400-08-12	2
11	LNIZ3816	3/8"-16 Nylock Nut - Gr. 5 - Zinc Plated	2
12	6400-08-08	6400-08-08	6
13	101-0-55	Directional Bucket Sub Plate	1
14	WISS38	Stainless Steel Washer for 3/8" Screw Size, 0.406" ID, 0.75" OD	6
15	6400-06-08	6400-06-08	1

Directional Valve and Bucket Valve

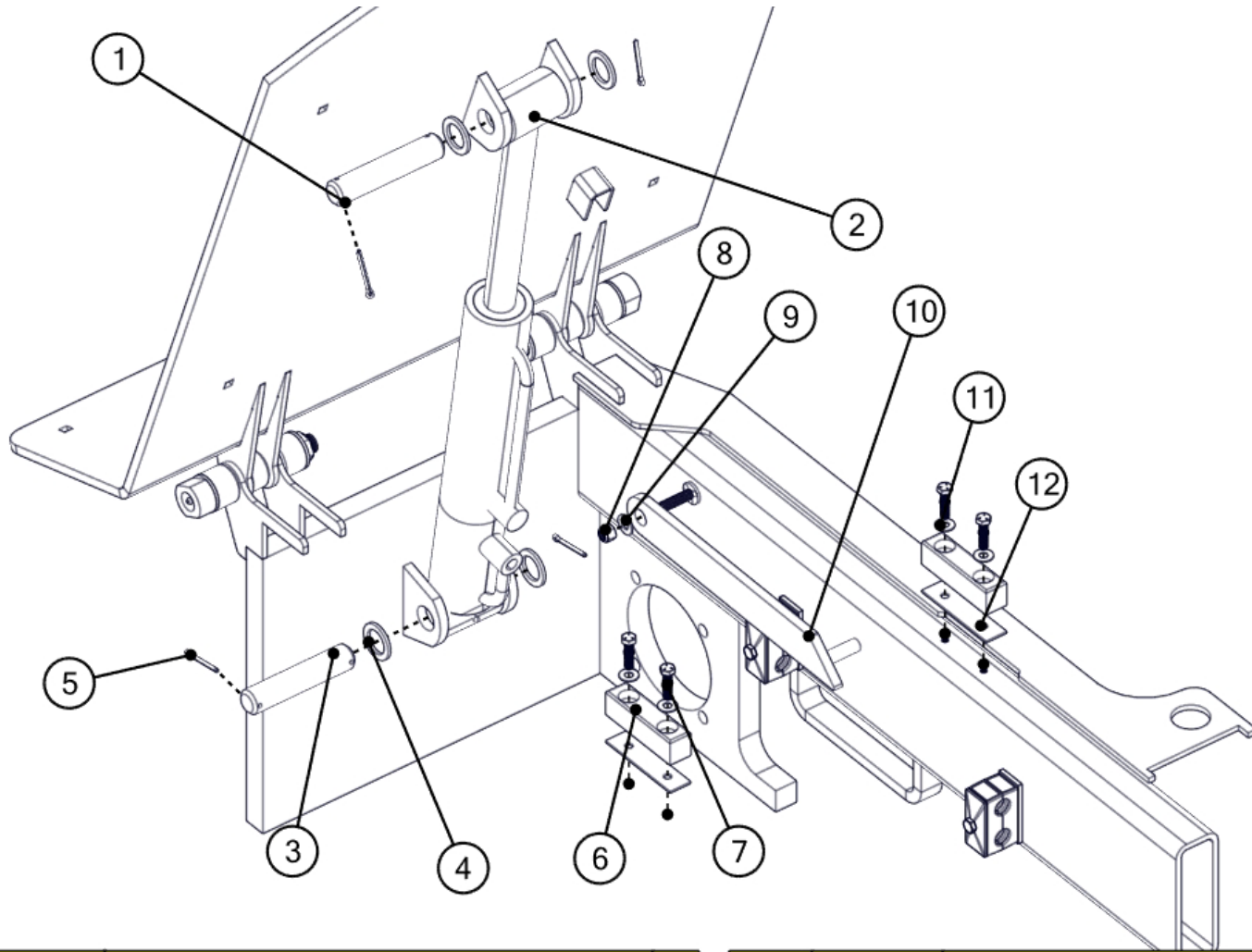
Order Parts at lhdmachinery.com/parts



BOM ID	Part Number	Title	Qty
1	.2403-08-08	.2403-08-08	2
2	WB99-15	Top Motor Steel Hose	1
3	WB99-16	Bottom Motor Steel Hose	1
4	.6400-08-08	.6400-08-08	4

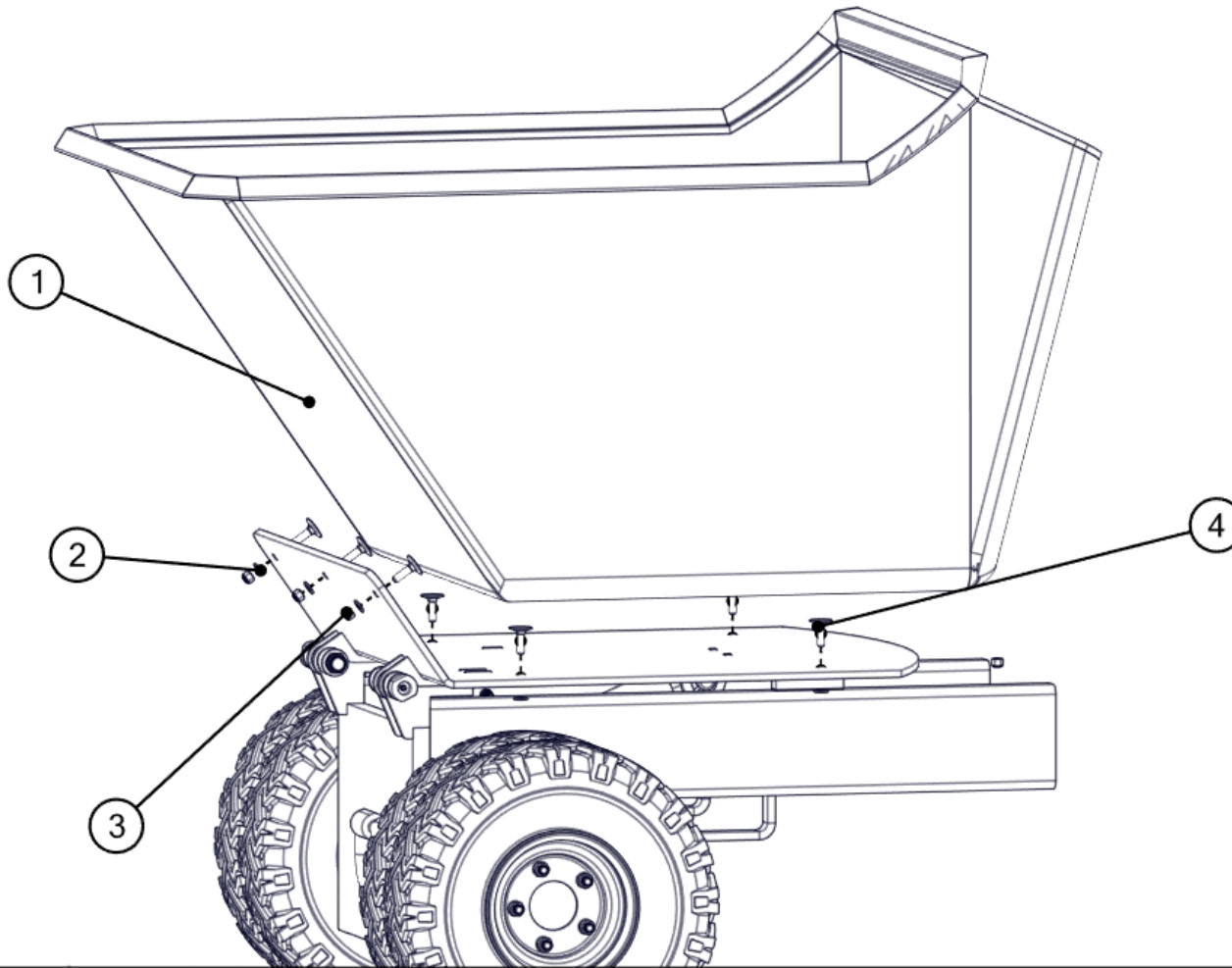


BOM ID	Part Number	Title	Qty
1	100-0-245	Dump Pivot Shaft	2
2	31356-0004m	Bucket Plate Assembly SDWB	1
3	NLJIZ3416	Hex Head Screw, Zinc-Plated, 3/4"-16 Thread Size, 7/8" Long	2
4	31355-1121	Bucket Pivot Bushing	4
5	GZIZ1428	1/4"-28 Straight Grease Zerk	2

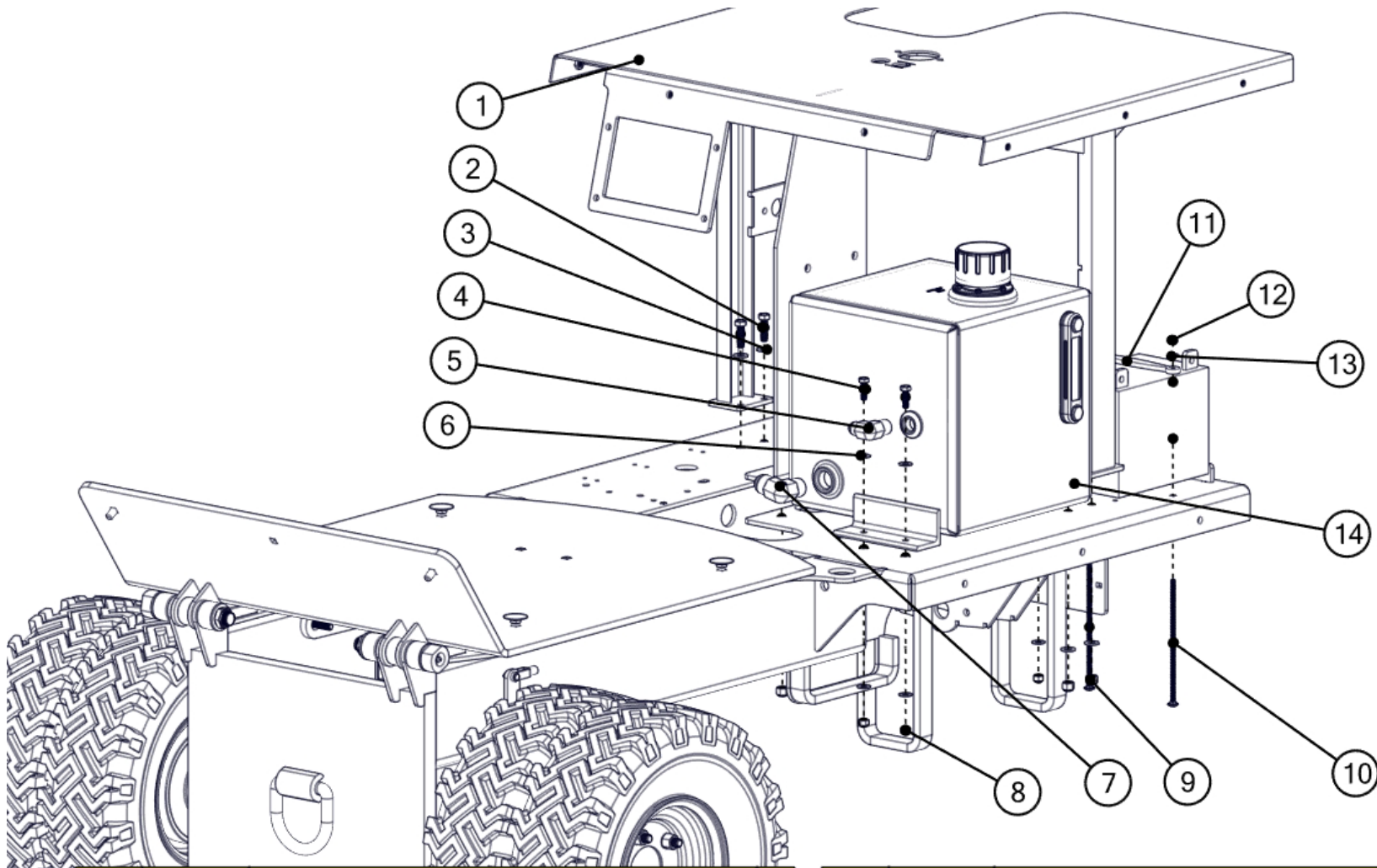


BOM ID	Part Number	Title	Qty
1	31358-1011m	Bottom Cylinder Pin	1
2	100-0-213	5000 Dump Cylinder	1
3	31359-1061m	Bottom Cylinder Pin	1
4	31355-1121	Bucket Pivot Bushing	8
5	CP53215	Cotter Pin 5/32" x 1.50" Lg.	4
6	100-0-196	Bucket Bumper	2
7	BIZ51624125	Hex Head Screw, Zinc-Plated, 5/16"-24 Thread Size, 1-1/4" Long	4

BOM ID	Part Number	Title	Qty
8	LNIZ3816	3/8"-16 Nylock Nut - Gr. 5 - Zinc Plated	1
9	WISS38	Stainless Steel Washer for 3/8" Screw Size, 0.406" ID, 0.75" OD	1
10	31356-1088m	Safety Bar	1
11	WIZ516	5/16" SAE Flat Washer	4
12	31356-1083m	Bumper Spacer	2



BOM ID	Part Number	Title	Qty
1	HW16BCKT	16 cubic ft Plastic Bucket	1
2	WISS38	Stainless Steel Washer for 3/8" Screw Size, 0.406" ID, 0.75" OD	7
3	LNIZ3816	3/8"-16 Nylock Nut - Gr. 5 - Zinc Plated	7
4	EVIZ381615	Elevator Bolts, 3/8"-16 Thread Size, 1-1/2" Long	7

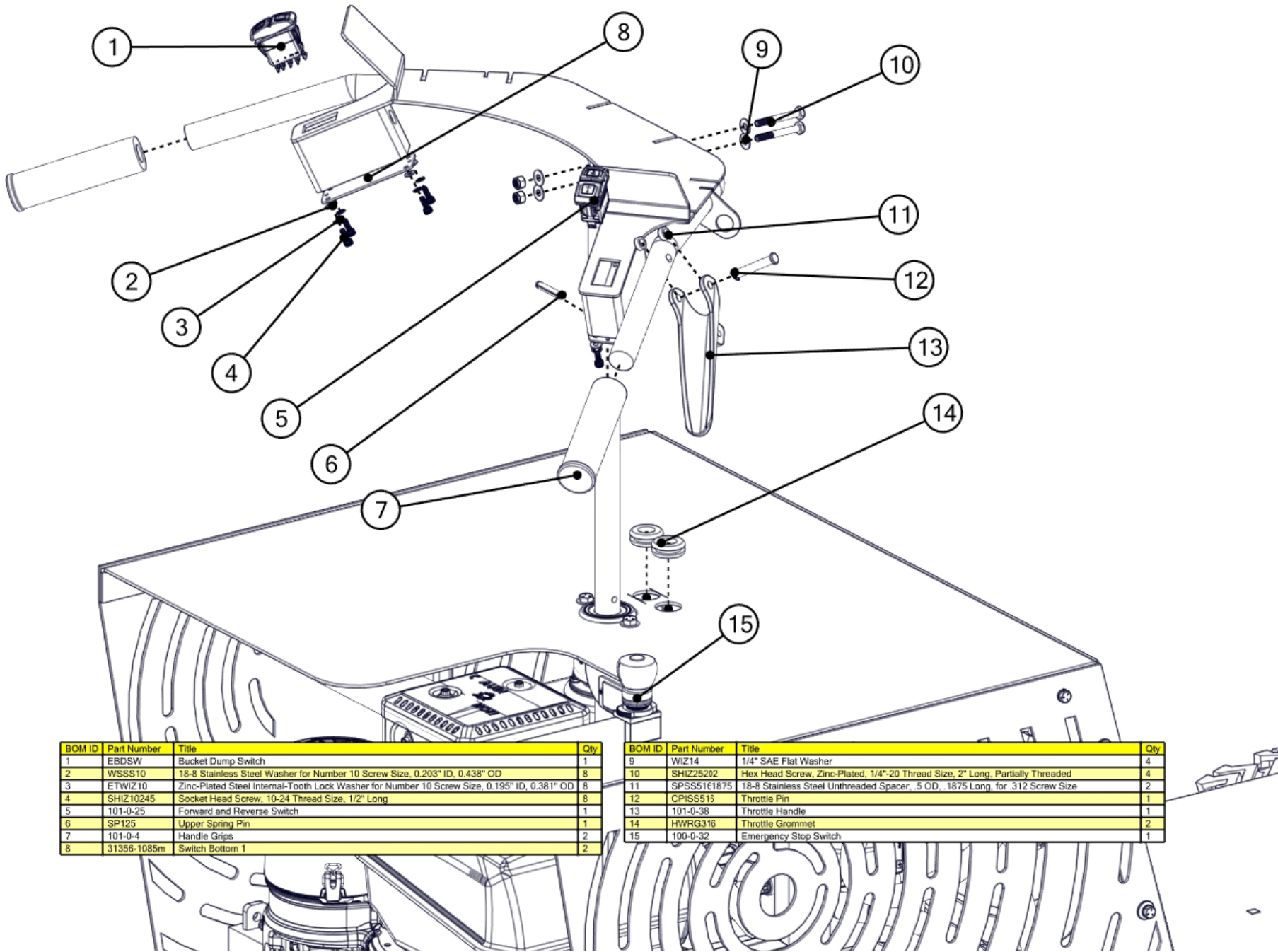


BOM ID	Part Number	Title	Qty
1	31356-0003m	Top Plate Assembly	1
2	BIZ3816	HHCS 3/8"-16 x 1.25" Lg. - Gr. 5 - Zinc Plated	6
3	WISS38	Stainless Steel Washer for 3/8" Screw Size, 0.406" ID, 0.75" OD	11
4	BIZ516181	5/16" - 18 1" Zinc Plated	3
5	.2501-08-08	.2501-08-08	1
6	WIZ516	5/16" SAE Flat Washer	6
7	.2501-12-12	.2501-12-12	1
8	LNIZ51618	5/16"-18 Nylock Nut - Gr. 5 - Zinc Plated	3

BOM ID	Part Number	Title	Qty
9	LNIZ3816	3/8"-16 Nylock Nut - Gr. 5 - Zinc Plated	5
10	CBIZ14257	Carriage Bolt, Medium-Strength, Zinc-Plated, 1/4"-20 Thread Size, 7" Long	2
11	31355-1096	Battery Hold Down	1
12	NLJ1420	Thin Nylon-Insert Locknut, Zinc-Plated, 1/4"-20 Thread Size	2
13	WIZ14	1/4" SAE Flat Washer	2
14	101-0-42	WB Hydraulic Tank	1

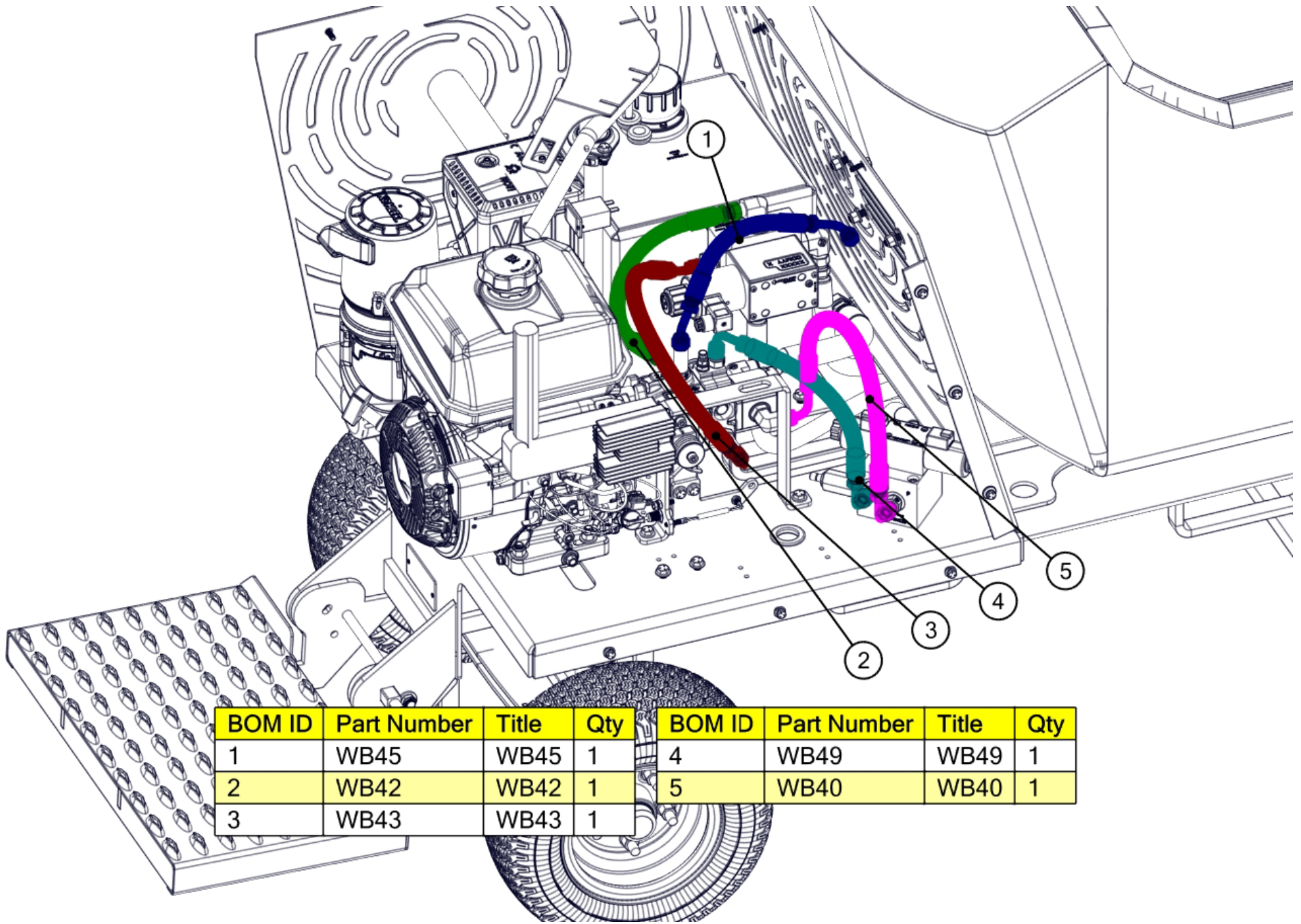
Engine Housing, Batter and Hydraulic Tank

Order Parts at lhdmachinery.com/parts



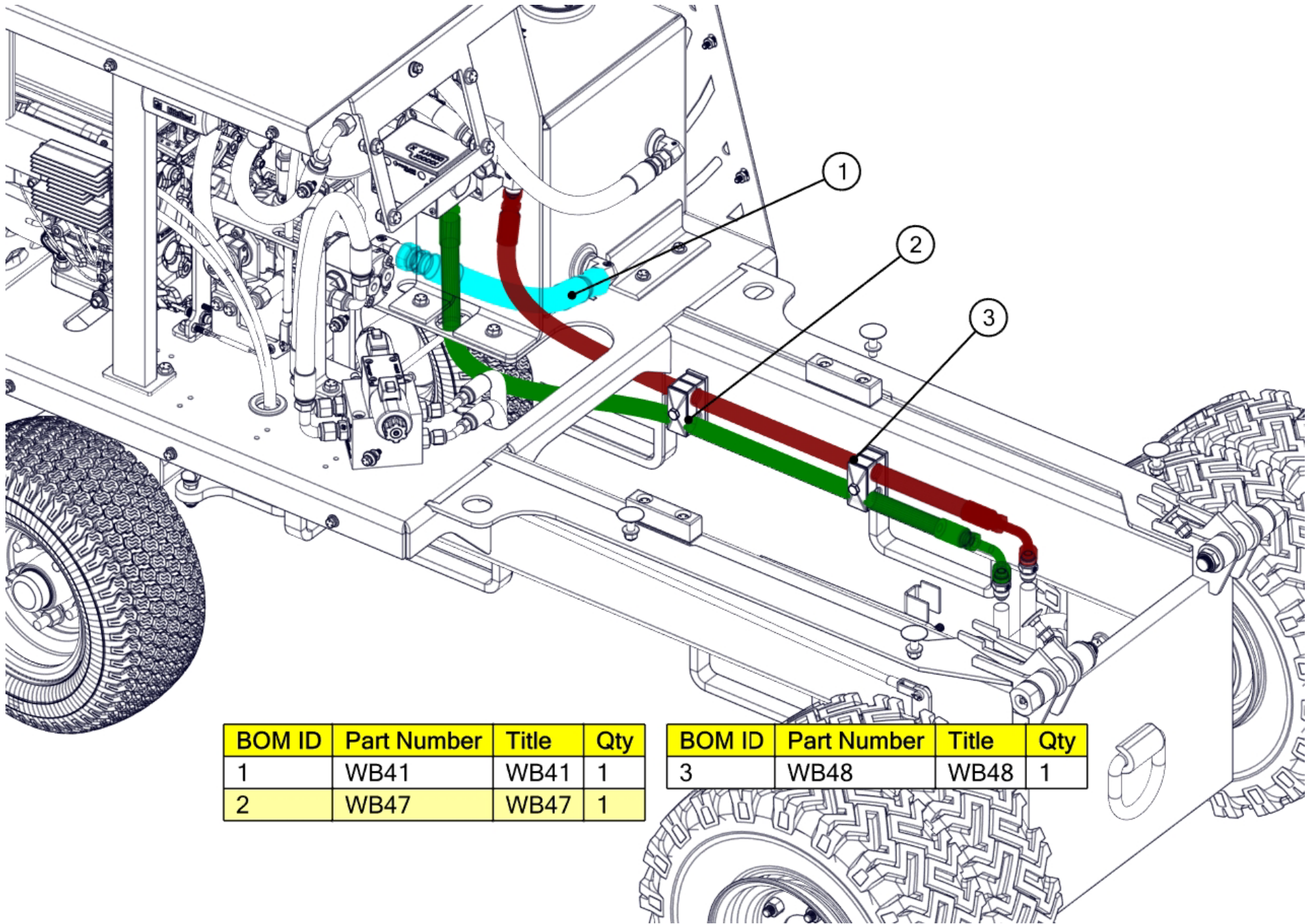
BOM ID	Part Number	Title	Qty
1	EBDSW	Bucket Dump Switch	1
2	WSSS10	18-8 Stainless Steel Washer for Number 10 Screw Size, 0.203" ID, 0.438" OD	8
3	ETWIZ10	Zinc-Plated Steel Internal-Tooth Lock Washer for Number 10 Screw Size, 0.195" ID, 0.381" OD	8
4	SHIZ10245	Socket Head Screw, 10-24 Thread Size, 1/2" Long	8
5	101-0-25	Forward and Reverse Switch	1
6	SP125	Upper Spring Pin	1
7	101-0-4	Handle Grips	2
8	31356-1085m	Switch Bottom 1	2

BOM ID	Part Number	Title	Qty
9	WIZ14	1/4" SAE Flat Washer	4
10	SHIZ25202	Hex Head Screw, Zinc-Plated, 1/4"-20 Thread Size, 2" Long, Partially Threaded	4
11	SPSS51E1875	18-8 Stainless Steel Unthreaded Spacer, .5 OD, .1875 Long, for .312 Screw Size	2
12	CPISS515	Throttle Pin	1
13	101-0-38	Throttle Handle	1
14	HWRG316	Throttle Grommet	2
15	100-0-32	Emergency Stop Switch	1



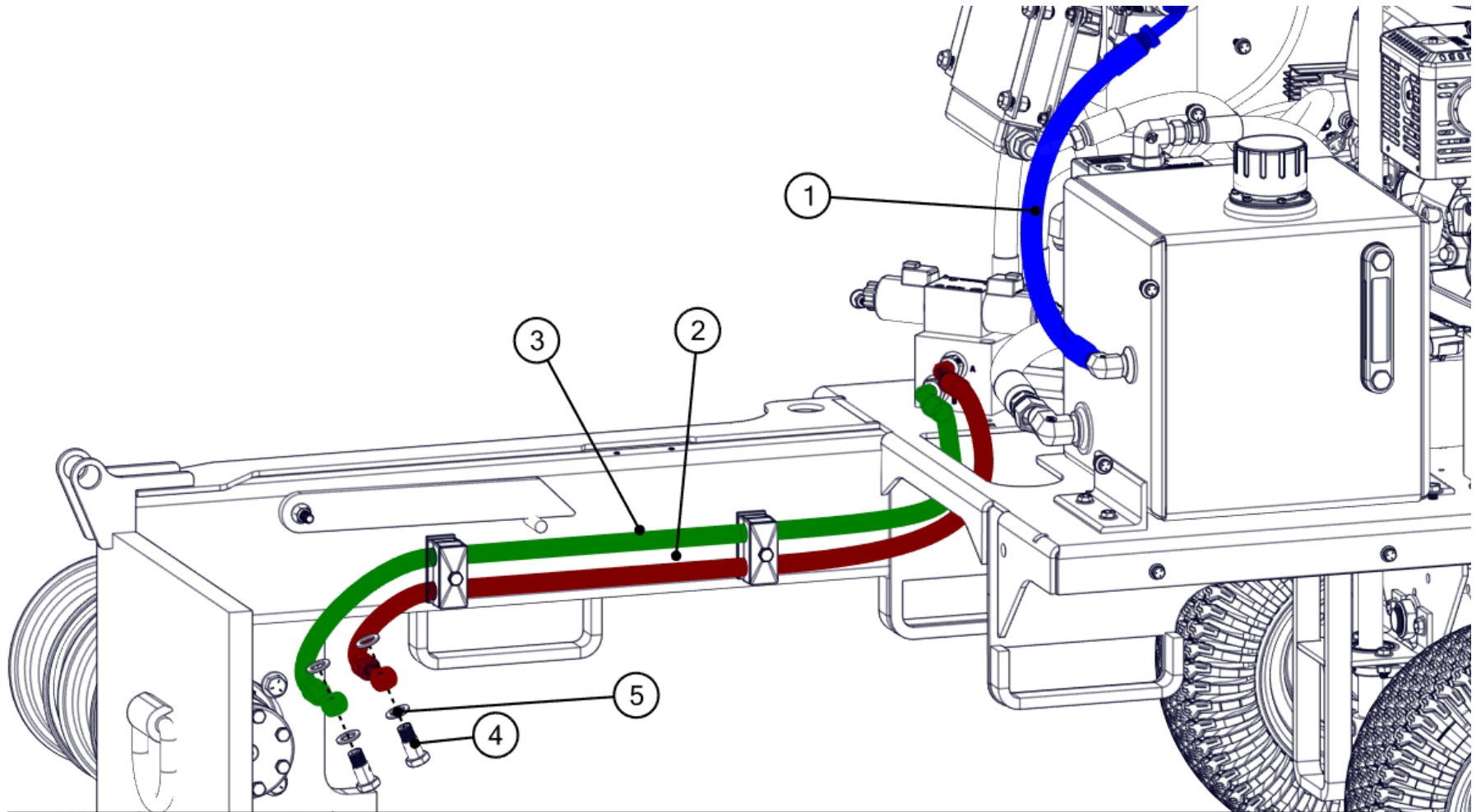
BOM ID	Part Number	Title	Qty	BOM ID	Part Number	Title	Qty
1	WB45	WB45	1	4	WB49	WB49	1
2	WB42	WB42	1	5	WB40	WB40	1
3	WB43	WB43	1				

Hydraulic Hoses

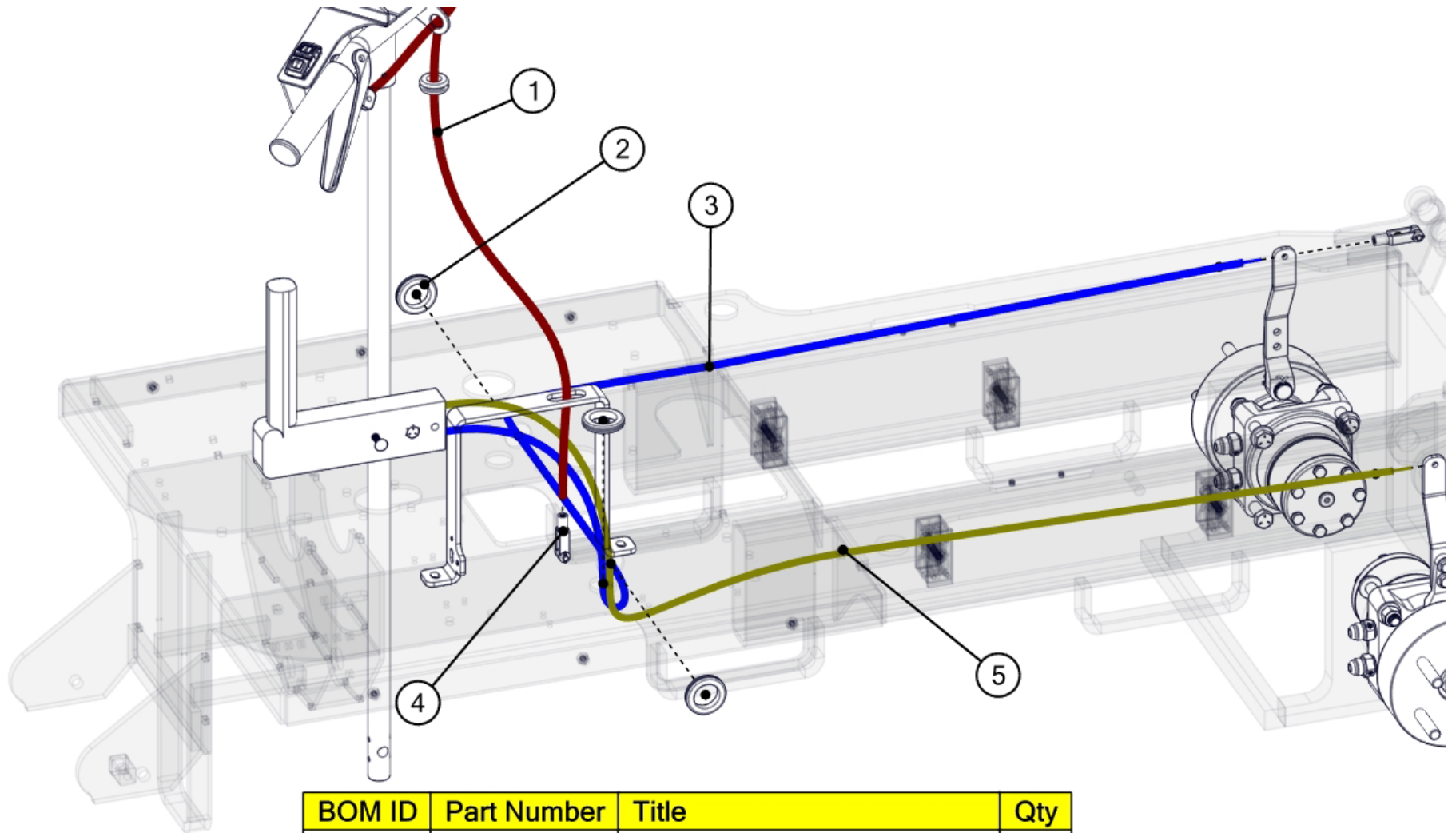


BOM ID	Part Number	Title	Qty
1	WB41	WB41	1
2	WB47	WB47	1

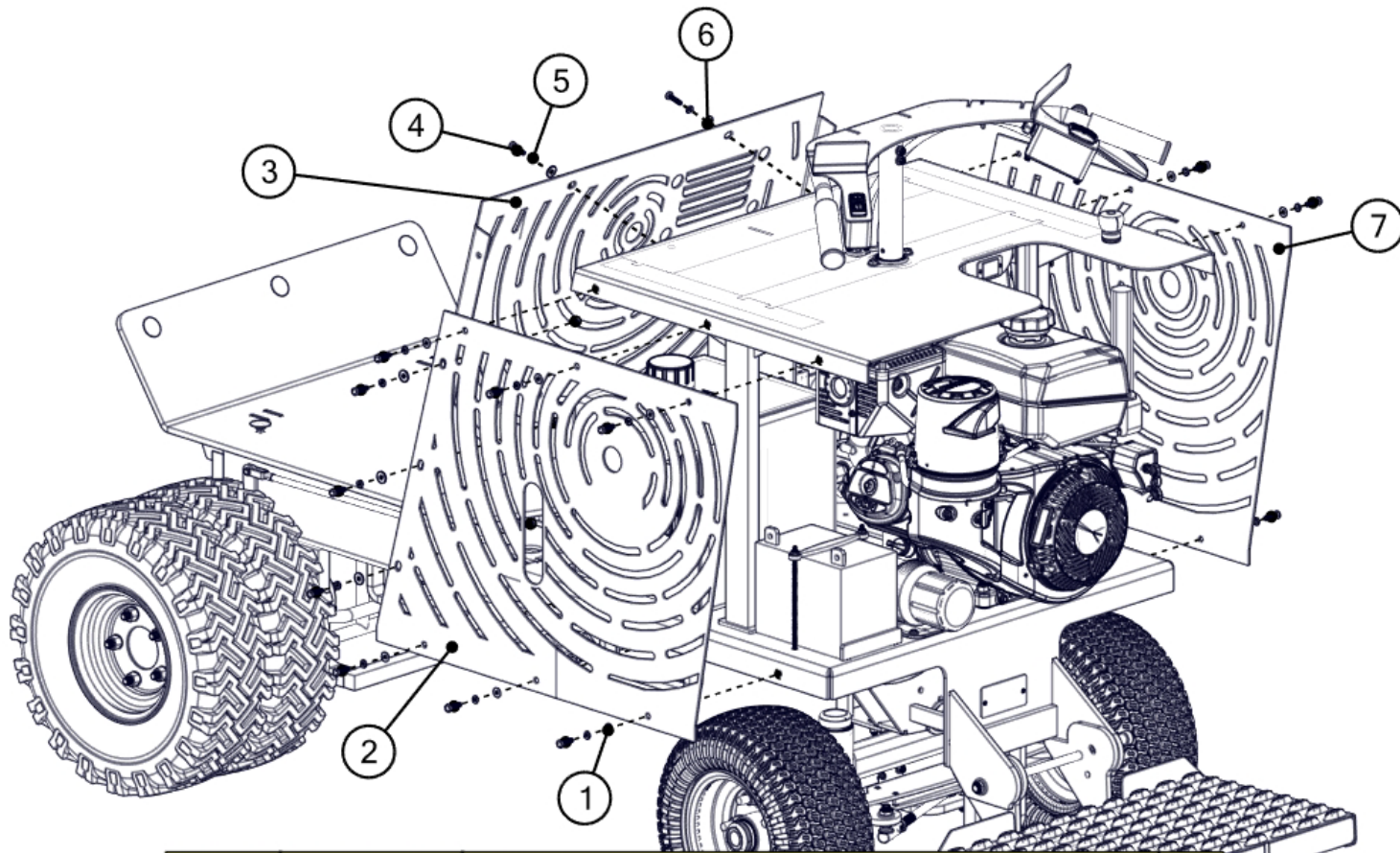
BOM ID	Part Number	Title	Qty
3	WB48	WB48	1



BOM ID	Part Number	Title	Qty
1	WB46	WB46	1
2	WB51	WB51	1
3			1
4	100-0-259	#6 Banjo Bolt	2
5	WIZ58	Zinc-Plated Steel SAE Washer for 5/8" Screw Size, 0.656" ID, 1.312" OD	4



BOM ID	Part Number	Title	Qty
1	HWTC	Wheel Buggy Throttle Cable	1
2	101-0-45	1" Electrical Grommet	3
3	100-0-211	Short Brake Cable	1
4	CIZ1/4-20x2	Clevis	3
5	100-0-212	Long Brake Cable	1



BOM ID	Part Number	Title	Qty
1	WIZ14	1/4" SAE Flat Washer	42
2	31356-1031m	Left Side Panel	1
3	31356-1029	Front Panel Assembly	1
4	BIZ14201	Hex Head Screw, Zinc-Plated, 1/4"-20 Thread Size, 1" Long	28
5	SWIZ25	.25 Zinc-Plated Steel Split Lock Washer	22
6	WIZ14OV	Oversized, 1/4" Screw Size, 0.281" ID, 0.75" OD	8
7	31356-1028	Right Side Panel	1