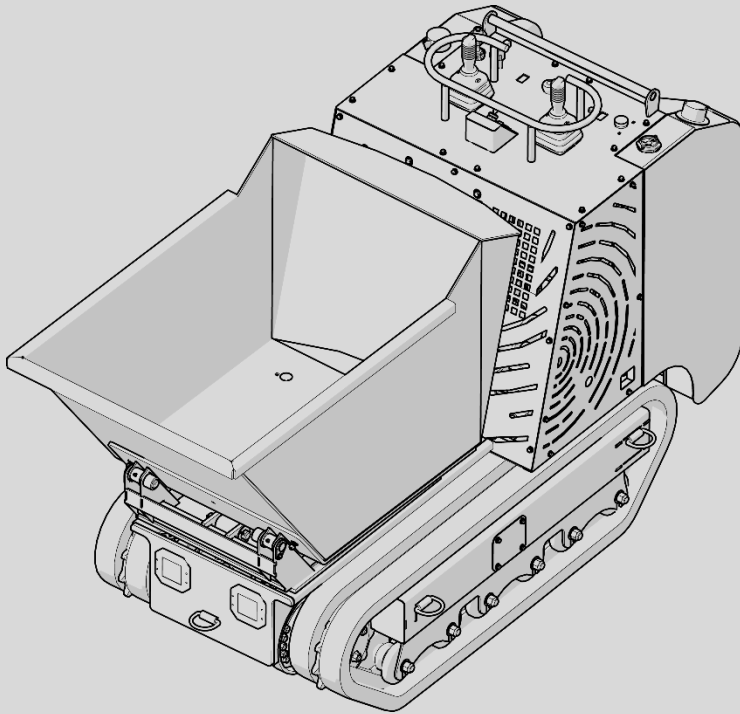




6500_{TB}

TRACKED BUGGY SIDE DUMP

Parts Manual



This manual should be kept on hand at all times so that it can be immediately referenced. It should be saved for the entire life of the machine.

© 2025 - The entire or partial reproduction and/or divulging of this document is prohibited in any form without the written consent of the company. The editing of the text, the illustrations, and the paginations were completed by "LHD Machinery, LLC." The illustrations and technical data included in this manual are non binding: *the manufacturer reserves the right to carry out eventual changes to its machine without notice.*

Ed. 3 – 2/12/25

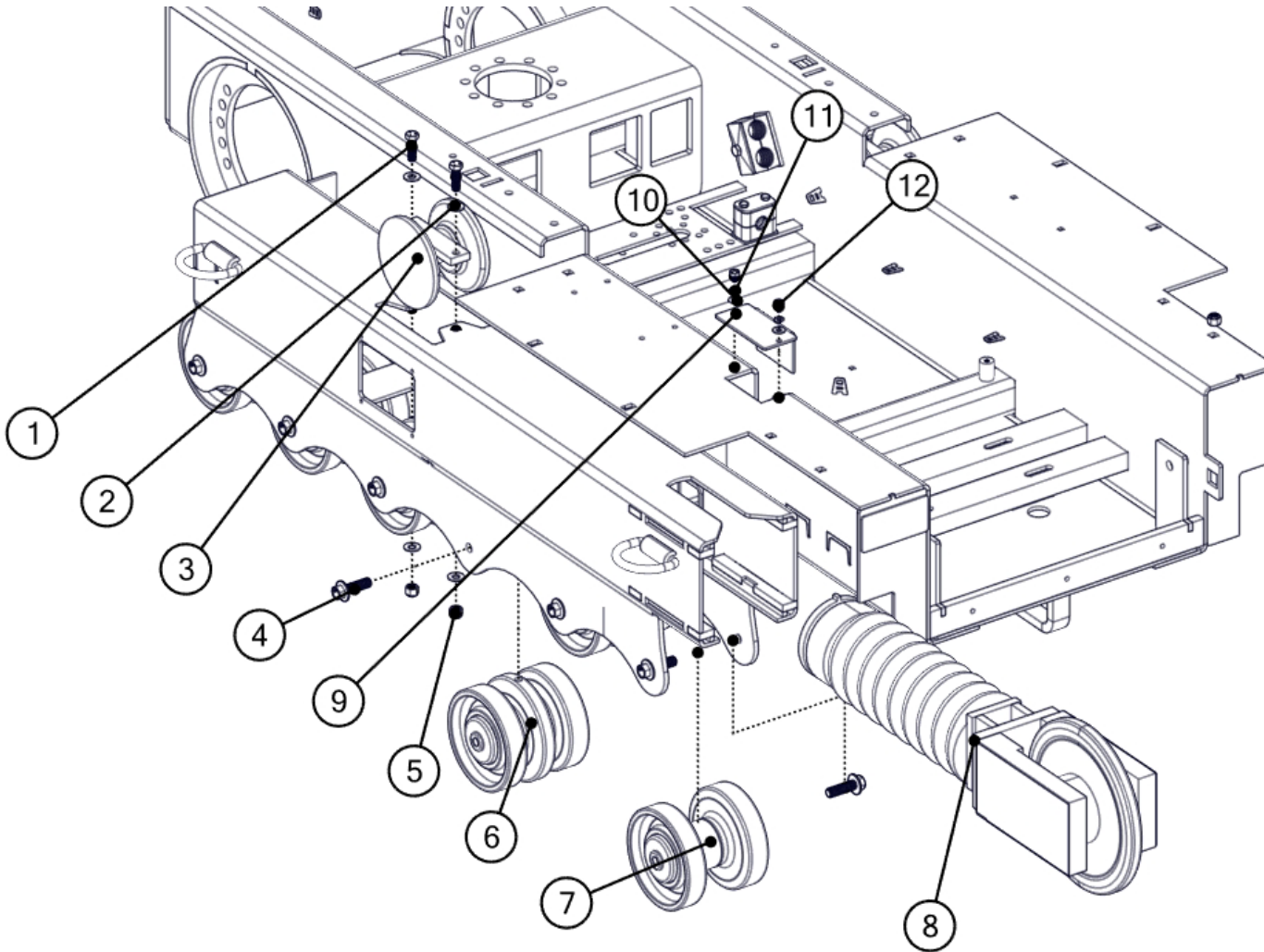
LHD Machinery, LLC
1-888-LHD-7472
LHDMachinery.com

Email / Faxes to:
info@lhdmachinery.com

Find the latest edition of
this Parts Manual at:
Lhdmachinery.com/parts

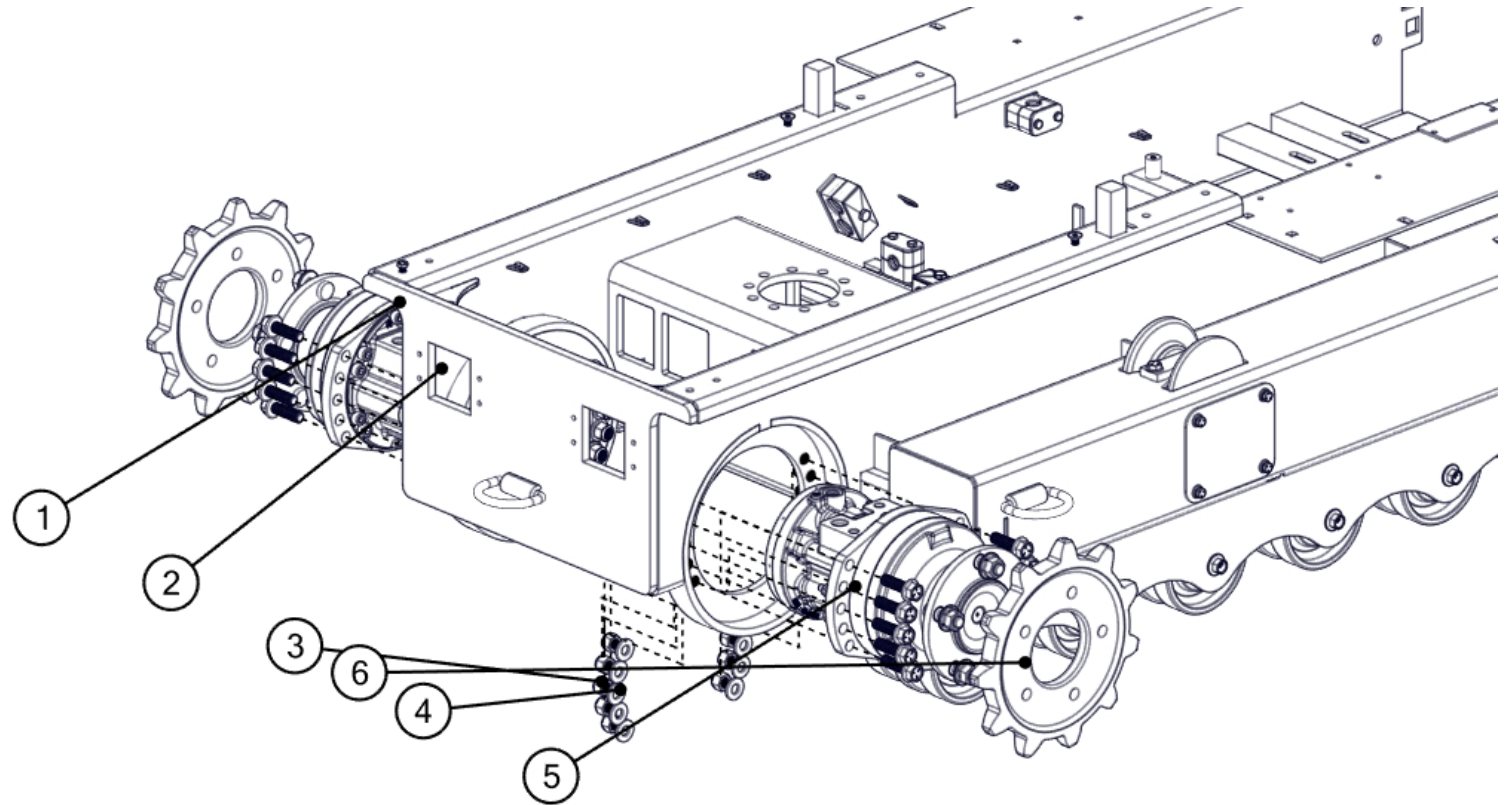
Table of Contents

Undercarriage.....	1
Drive Motors.....	2
Motor Fittings.....	3
Tensioner	4
Hand Pump Park Brake Release	5
Auxiliary Coil	6
Hand Pump and Auxiliary Coil.....	7
Slew Drive	8
Pump Fittings.....	9
Engine Install.....	10
Cage Install.....	11
Document Tube and Battery.....	12
Hydraulic Cooler	13
Hydraulic Filter	14
Gas Tank.....	15
Hydraulic Tank	16
Tanks Install.....	17
Controls	18
Hour Meter.....	19
Standing Platform	20 - 21
Lights and Horn	22
Skid Plate Motor Cover.....	23
Drive Motor Hoses	24
Tank Hoses.....	25
Hand Pump Hoses.....	26
Auxiliary Coil Hoses	27
Drain Hoses	28
Slew Plate.....	29 - 30
Bucket Plate.....	31
Dump Cylinder.....	32
Bucket.....	33
Splash Guard.....	34
Fuse Box and Wire Harness	35
Back Panel and Pad.....	36
Exhaust and Front Panel.....	37
Right Panel and Tank Bolts	38

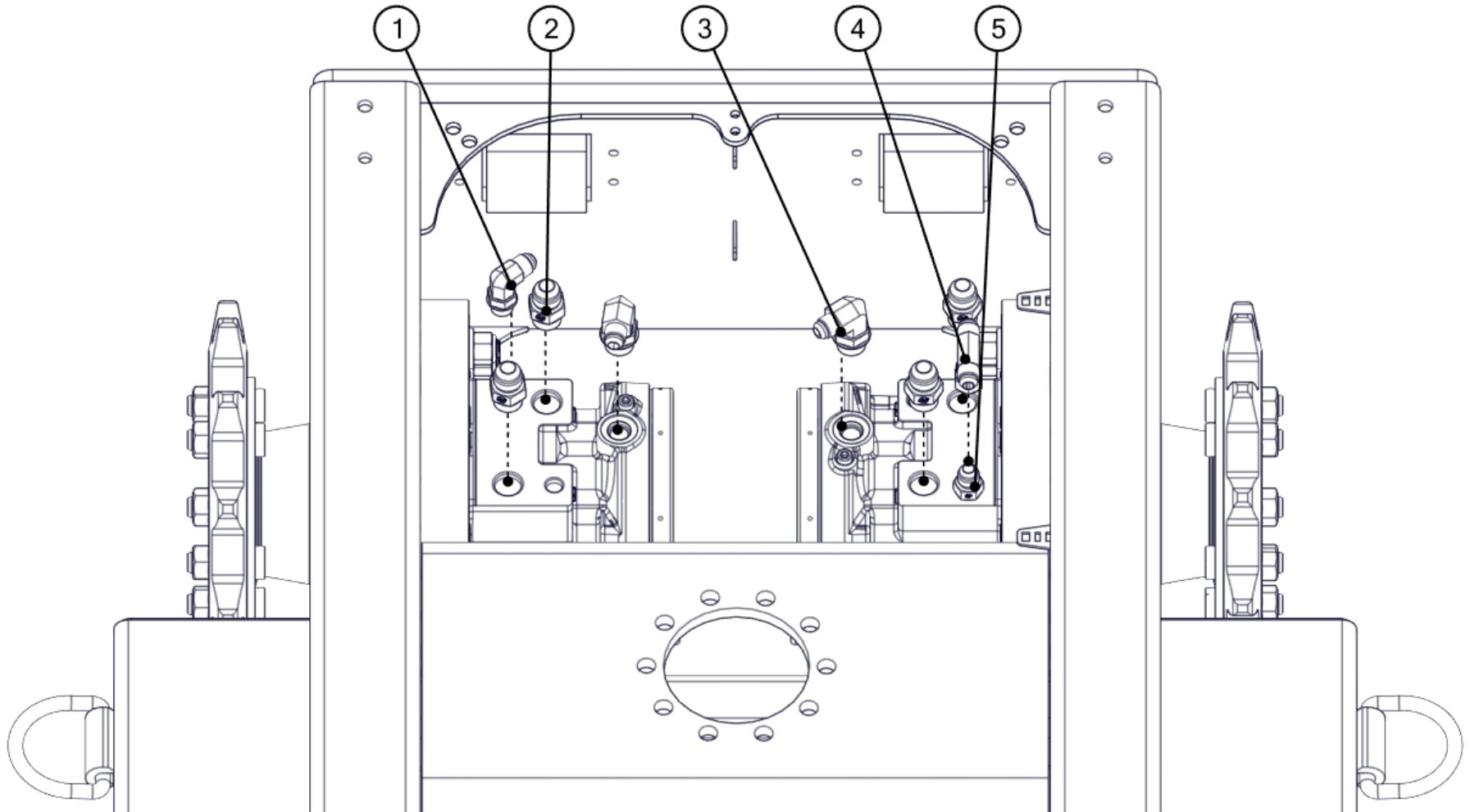


BOM ID	PartNo	Title	Qty
1	BIZ3816	HHCS 3/8"-16 x 1.25" Lg. - Gr. 5 - Zinc Plated	4
2	WISS38	Stainless Steel Washer for 3/8" Screw Size, 0.406" ID, 0.75" OD	8
3	100-0-42	Top Track Roller	2
4	FBMZ1217540	Flanged Hex Head, M12 x 1.75mm, 40mm Long	24
5	LNIZ3816	3/8"-16 Nylock Nut - Gr. 5 - Zinc Plated	4
6	100-0-199	LHD Sealed Triple Roller	10
7	100-0-225	LHD Sealed Roller	2

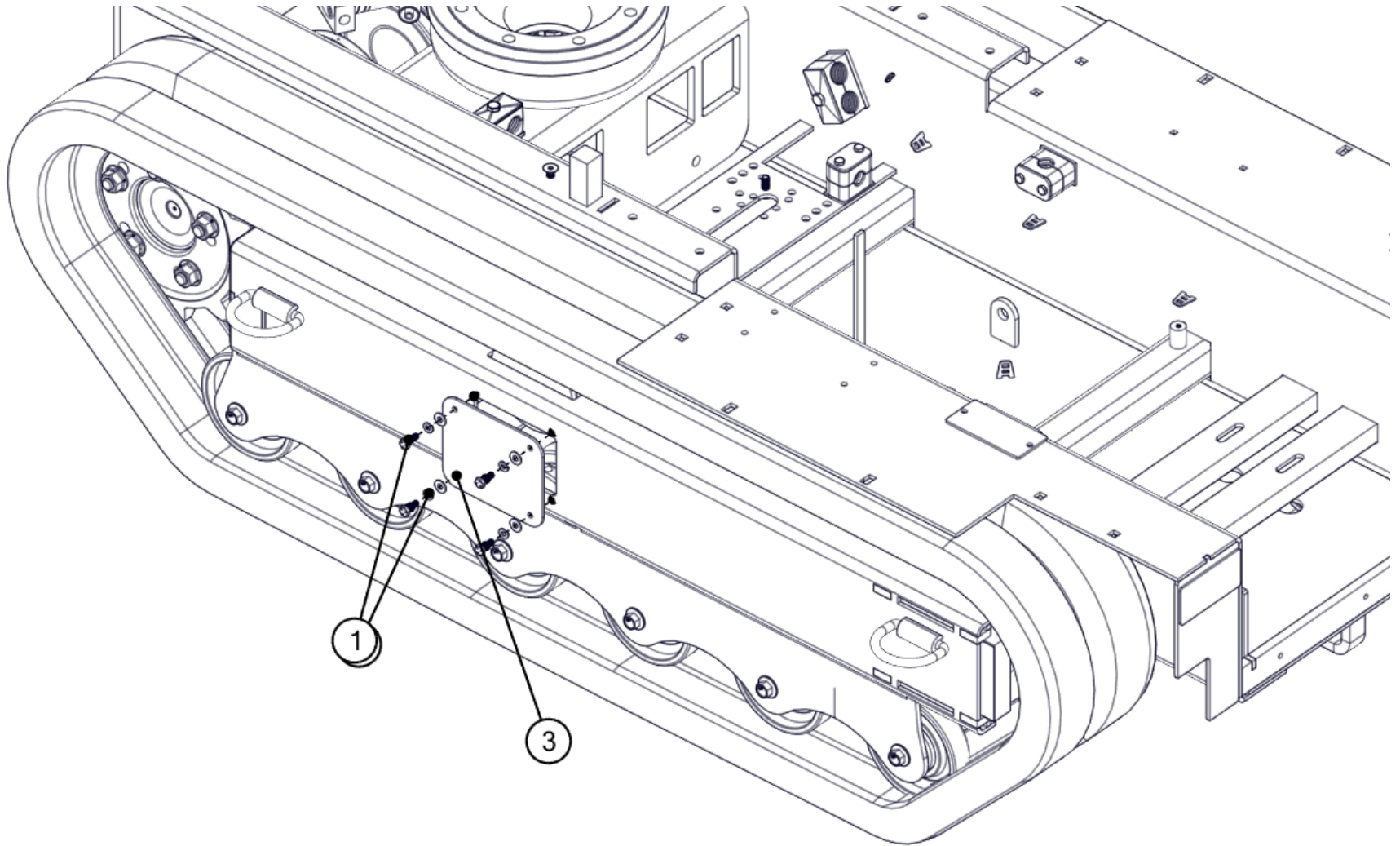
BOM ID	PartNo	Title	Qty
8	98-8-7	Track Tensioner	2
9	31355-1095	Oil Filter Plate	1
10	WIZ14	1/4" SAE Flat Washer	2
11	SWIZ25	.25 Zinc-Plated Steel Split Lock Washer	2
12	BIZ142038	Hex Head Screw, Zinc-Plated, 1/4"-20 Thread Size, 3/8" Long	2



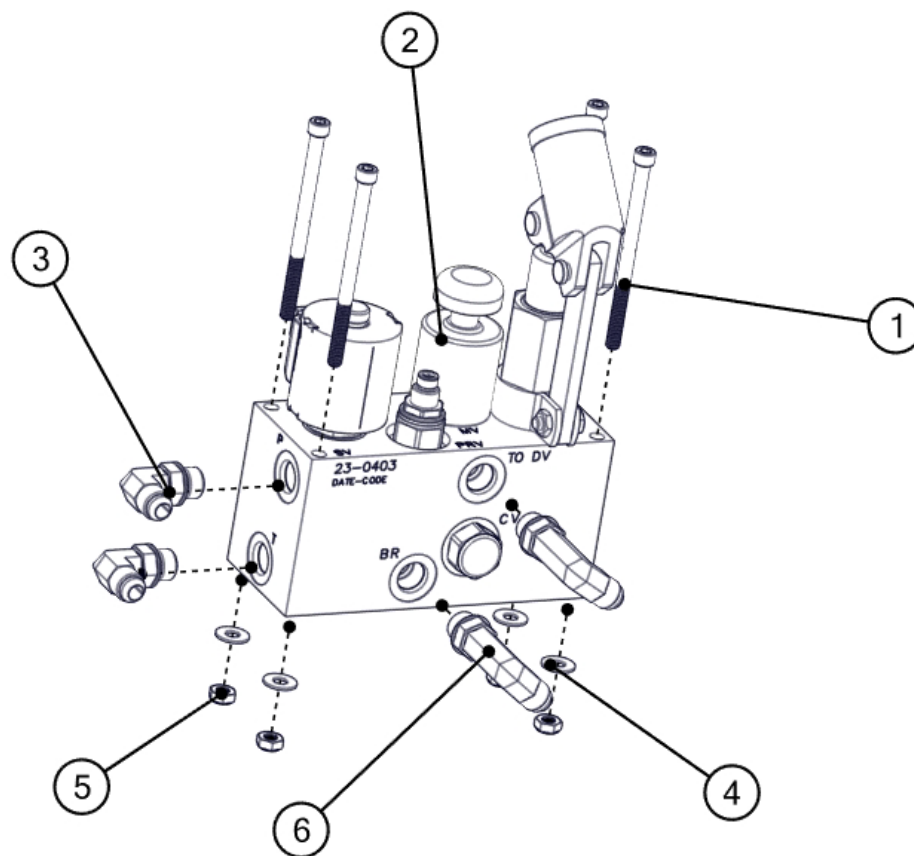
BOM ID	PartNo	Title	Qty
1	FBIZ1213175	Flanged Hex Head Screws, Medium-Strength, 1/2"-13 Thread Size, 1-3/4" Long	20
2	100-0-238	TB Right Motor	1
3	LNIZ513	NUT-NYLOCK-.0500-13-GR5-ZINC	20
4	WIZ5	WASHER-FLAT-0.500-GR5-ZINC	20
5	100-0-239	TB Left Motor	1
6			3



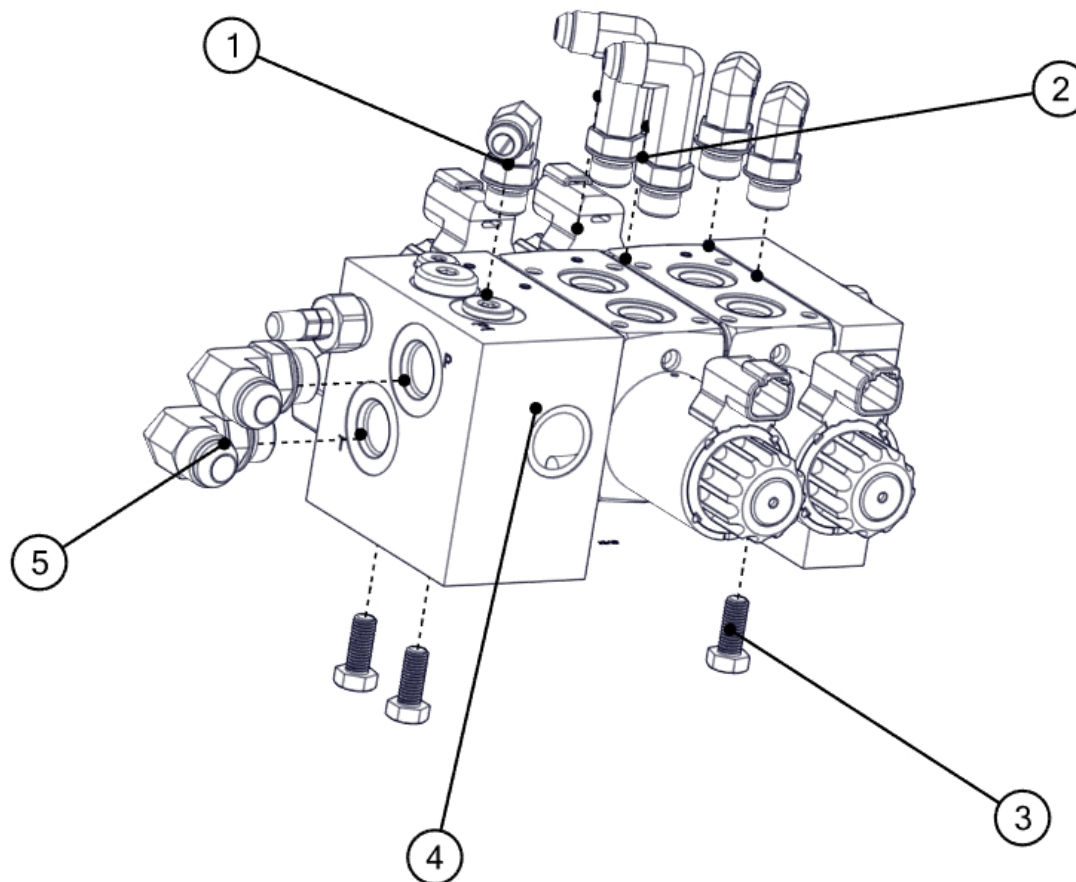
BOM ID	PartNo	Title	Qty	BOM ID	PartNo	Title	Qty
1	.6801-06-06	.6801-06-06	1	4	.6600-06-06-06	.6600-06-06-06	1
2	.6400-08-08	.6400-08-08	4	5			3
3	.6801-06-08	.6801-06-08	2				



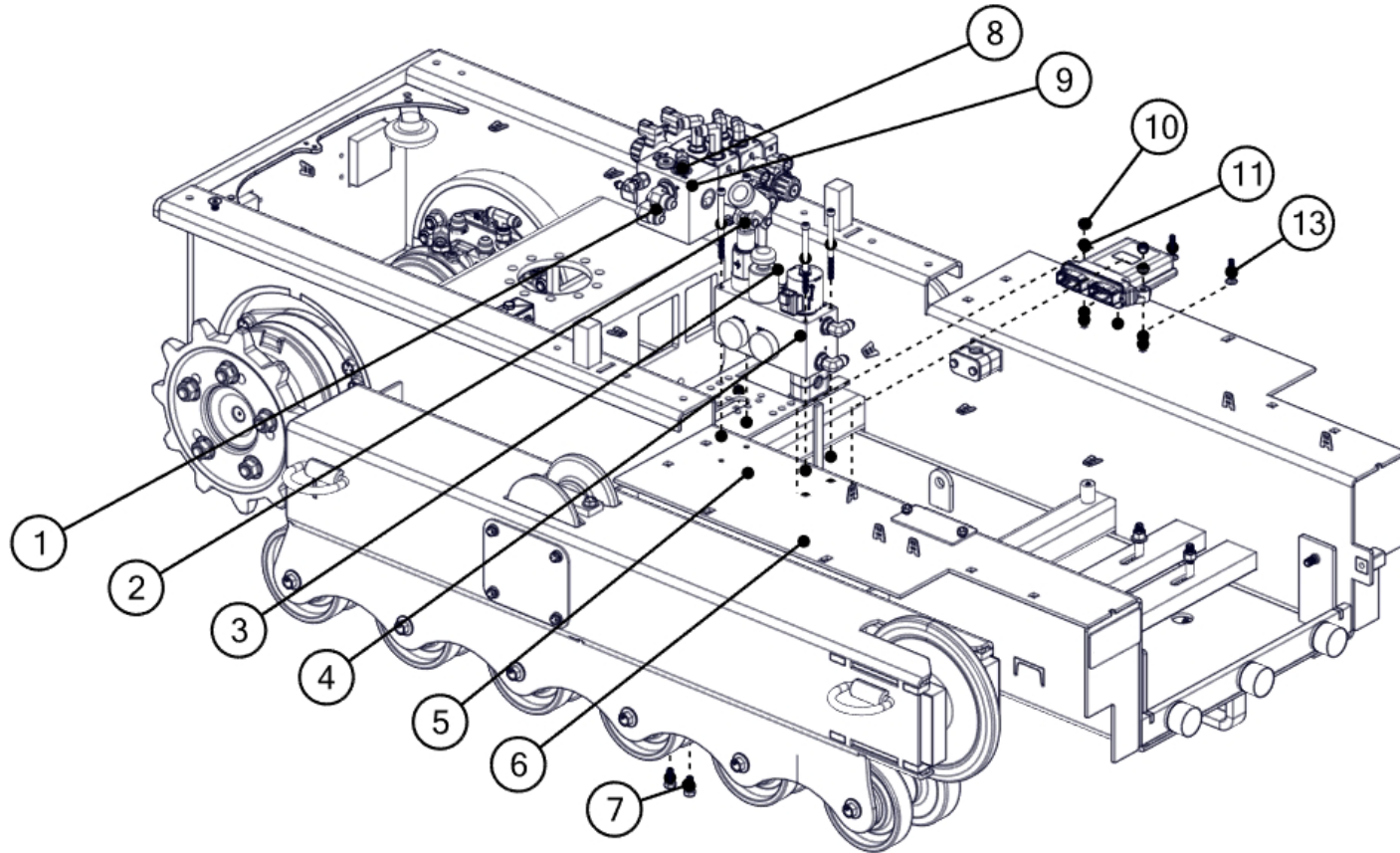
BOM ID	PartNo	Title	Qty
1	BIZ142575	Hex Head Screw, Zinc-Plated, 1/4"-20 Thread Size, 3/4" Long	8
2	SWIZ25	.25 Zinc-Plated Steel Split Lock Washer	8
3	31355-1094	Tensioner Access Plate	2



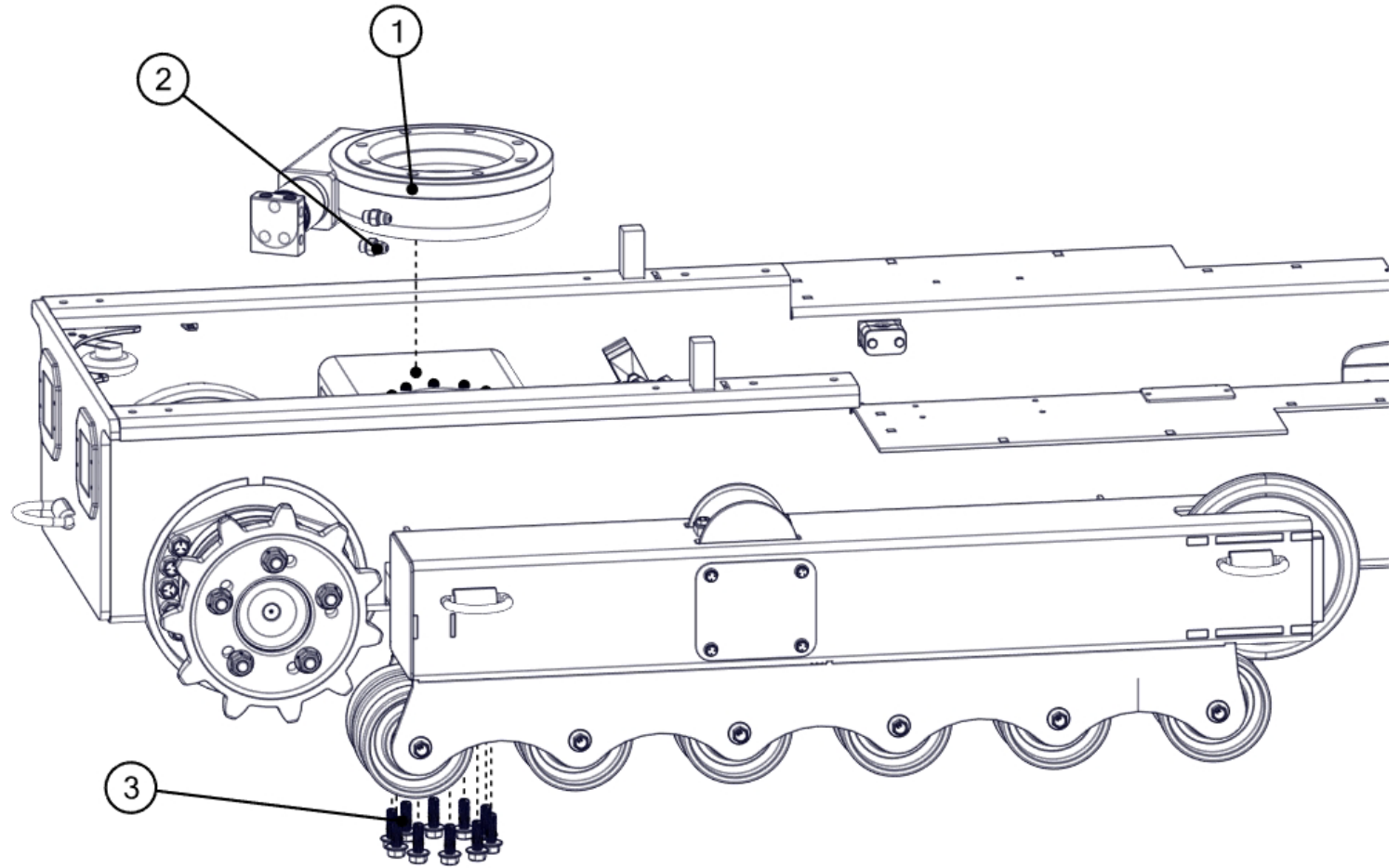
BOM ID	PartNo	Title	Qty
1	SHIZ1420334	Socket Head Screw 1/4"-20 Thread Size, 3-3/4" Long	4
2	100-0-250	Hand Pump Assembly	1
3	.6801-06-06	.6801-06-06	2
4	WIZ14	1/4" SAE Flat Washer	4
5	NLJI1420	Thin Nylon-Insert Locknut, Zinc-Plated, 1/4"-20 Thread Size	4
6	.6801-LL-06-06	.6801-LL-06-06	2



BOM ID	PartNo	Title	Qty
1	.6801-06-06	.6801-06-06	3
2	.6801-LL-06-06	.6801-LL-06-06	2
3	BMS812520	Steel Hex Head Screw M8 x 1.25 mm Thread, 20 mm Long	3
4	100-0-247	2 Bank Prop Coil	1
5	.6801-08-08	.6801-08-08	2

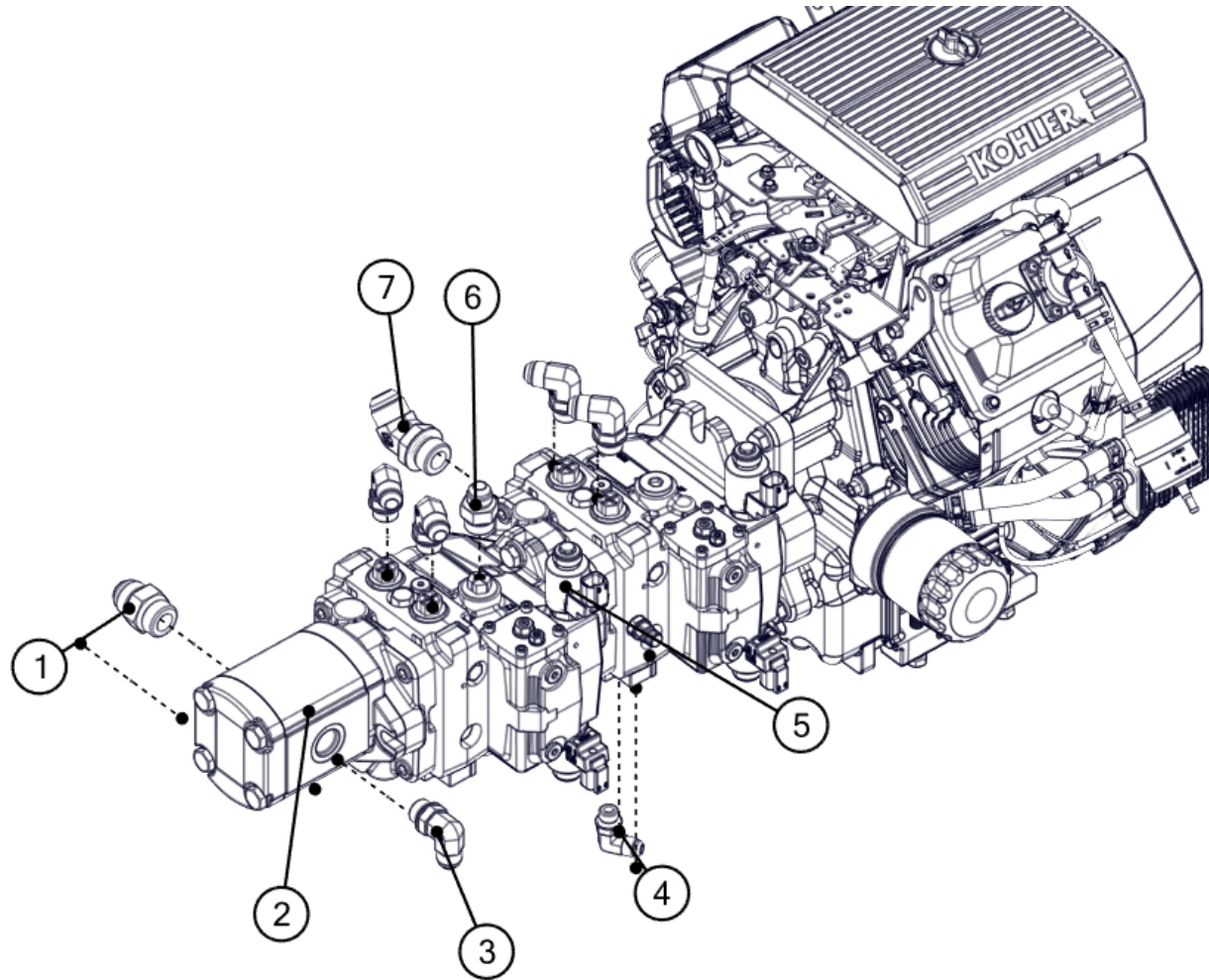


BOM ID	PartNo	Title	Qty
1	.6801-08-08	.6801-08-08	2
2	SHIZ1420334	Socket Head Screw 1/4"-20 Thread Size, 3-3/4" Long	4
3	100-0-250	Hand Pump Assembly	1
4	.6801-LL-06-06	.6801-LL-06-06	4
5	WIZ14	1/4" SAE Flat Washer	4
6	NLJI1420	Thin Nylon-Insert Locknut, Zinc-Plated, 1/4"-20 Thread Size	4
7	BMS812520	Steel Hex Head Screw M8 x 1.25 mm Thread, 20 mm Long	3
8	.6801-06-06	.6801-06-06	6
9	100-0-247	2 Bank Prop Coil	1
10	LNIZ1420	1/4"-20 Nylock Nut - Gr. 5 - Zinc Plated	2
11	WIZ14	1/4" SAE Flat Washer	6
13	CBIZ72520125	Square-Neck Carriage Bolt, Medium-Strength, Zinc-Plated, 3/8"-16 Thread Size, 1-1/4" Long	2



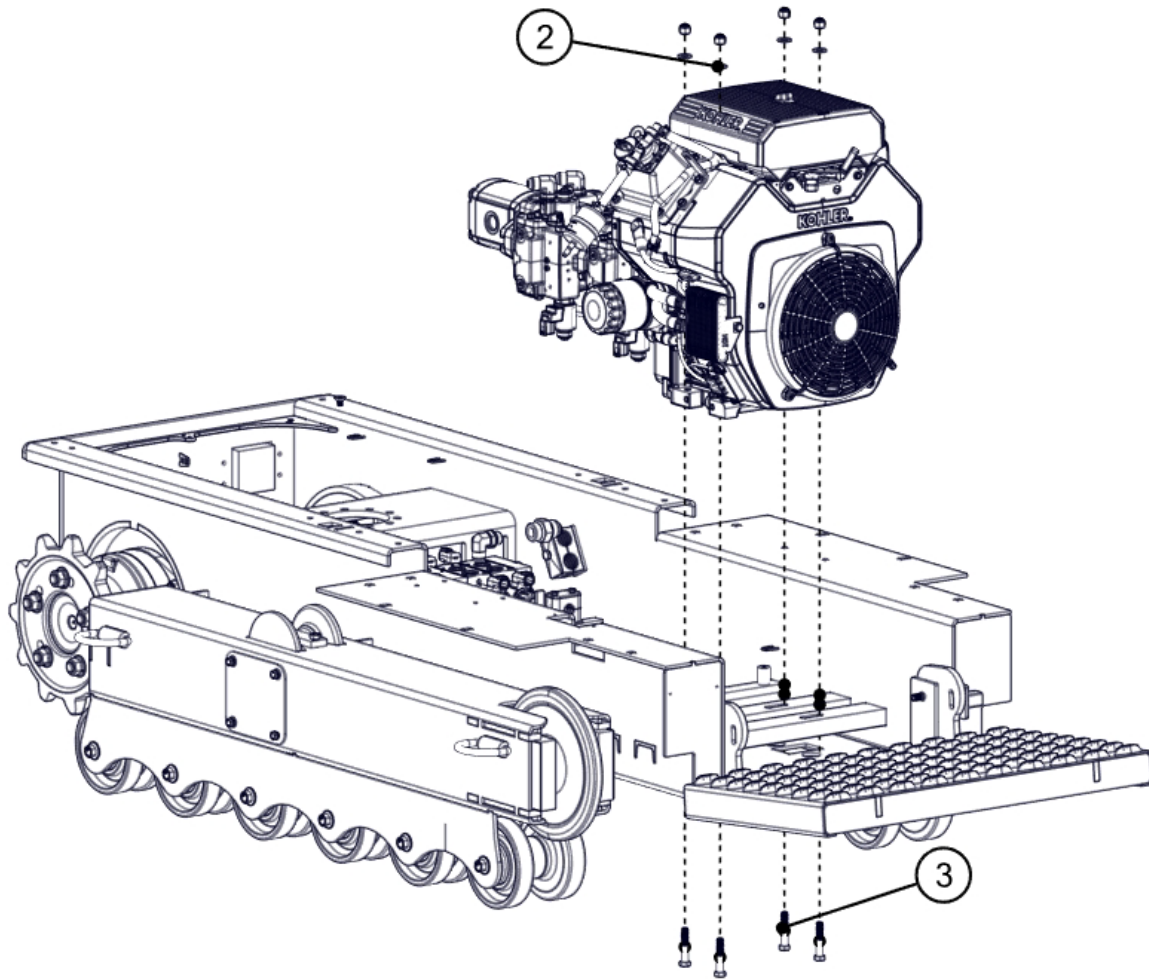
BOM ID	PartNo	Title	Qty
1	100-0-28	Sleew Drive	1
2	.6400-06-06	.6400-06-06	2

BOM ID	PartNo	Title	Qty
3			11

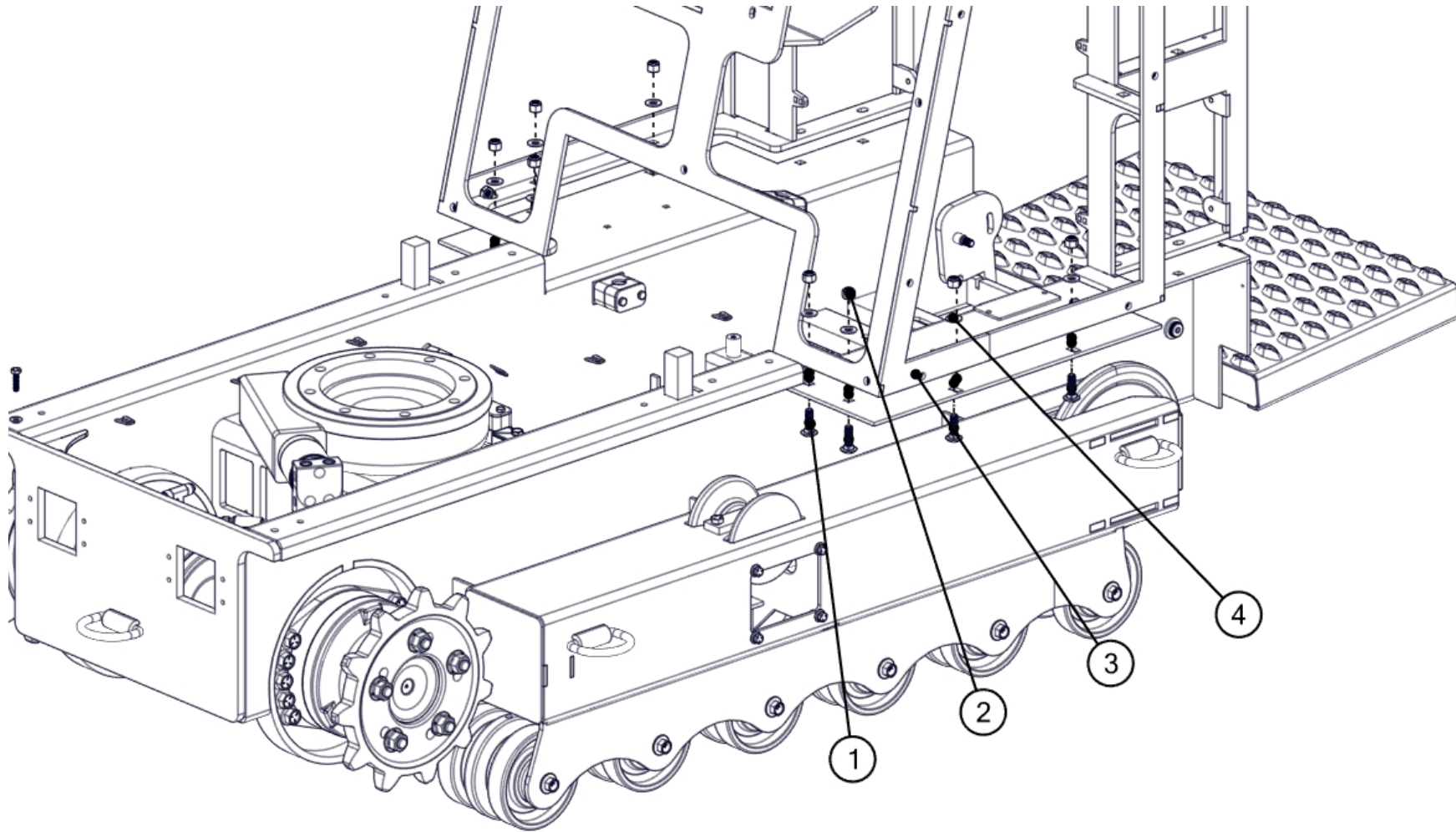


BOM ID	PartNo	Title	Qty
1	.6400-12-12	.6400-12-12	1
2	100-0-21	Aux Pump	1
3	.6801-08-08	.6801-08-08	5
4	.6801-06-06	.6801-06-06	1

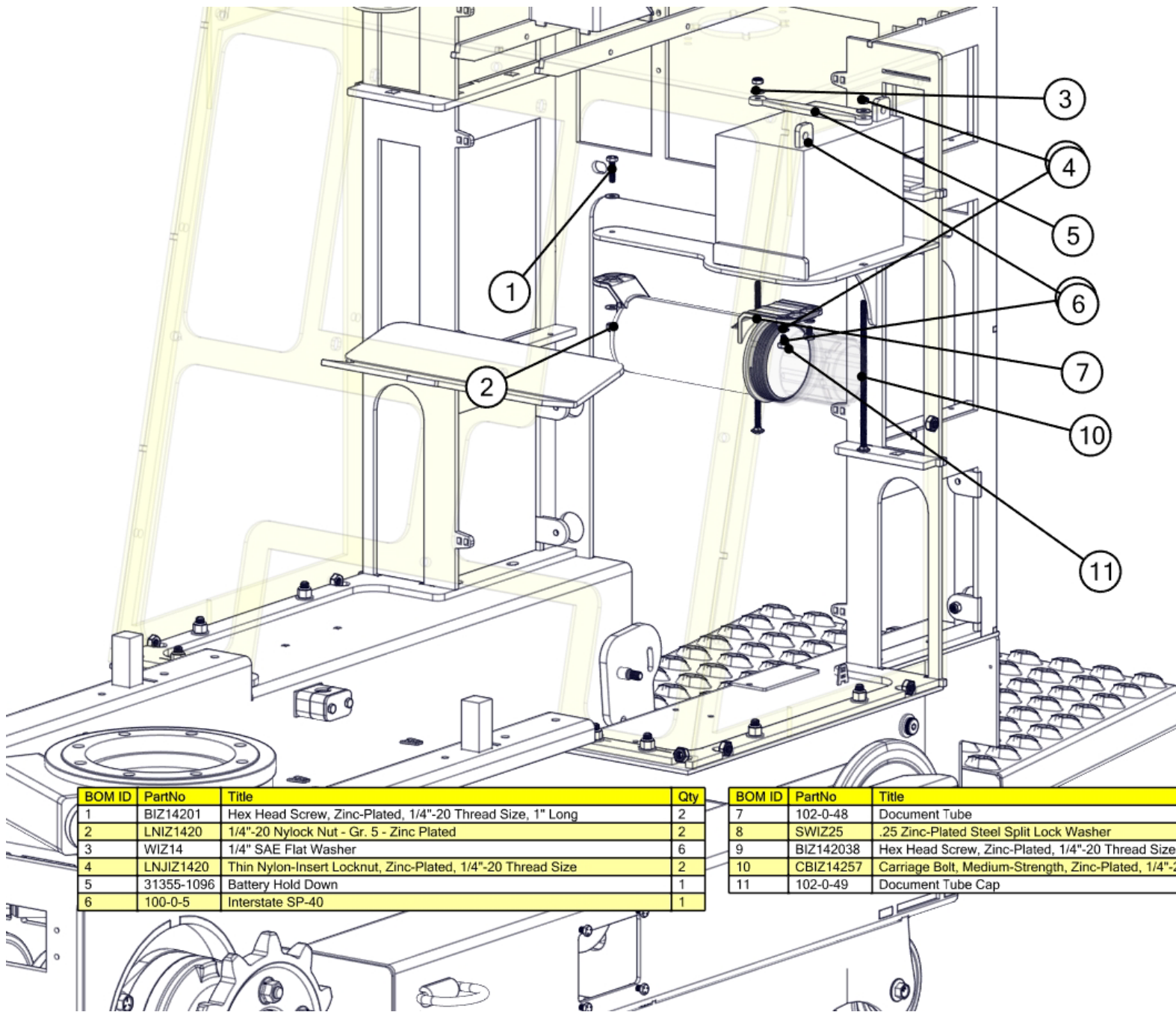
BOM ID	PartNo	Title	Qty
5	100-0-251	MB E Tandem Pump	1
6	6400-08-10	6400-08-10	1
7	.6802-12-12	.6802-12-12	1



BOM ID	PartNo	Title	Qty
2	WISS38	Stainless Steel Washer for 3/8" Screw Size, 0.406" ID, 0.75" OD	4
3	BIZ38162	Hex Head Screw, Zinc-Plated, 3/8"-16 Thread Size, 2" Long, Partially Threaded	4

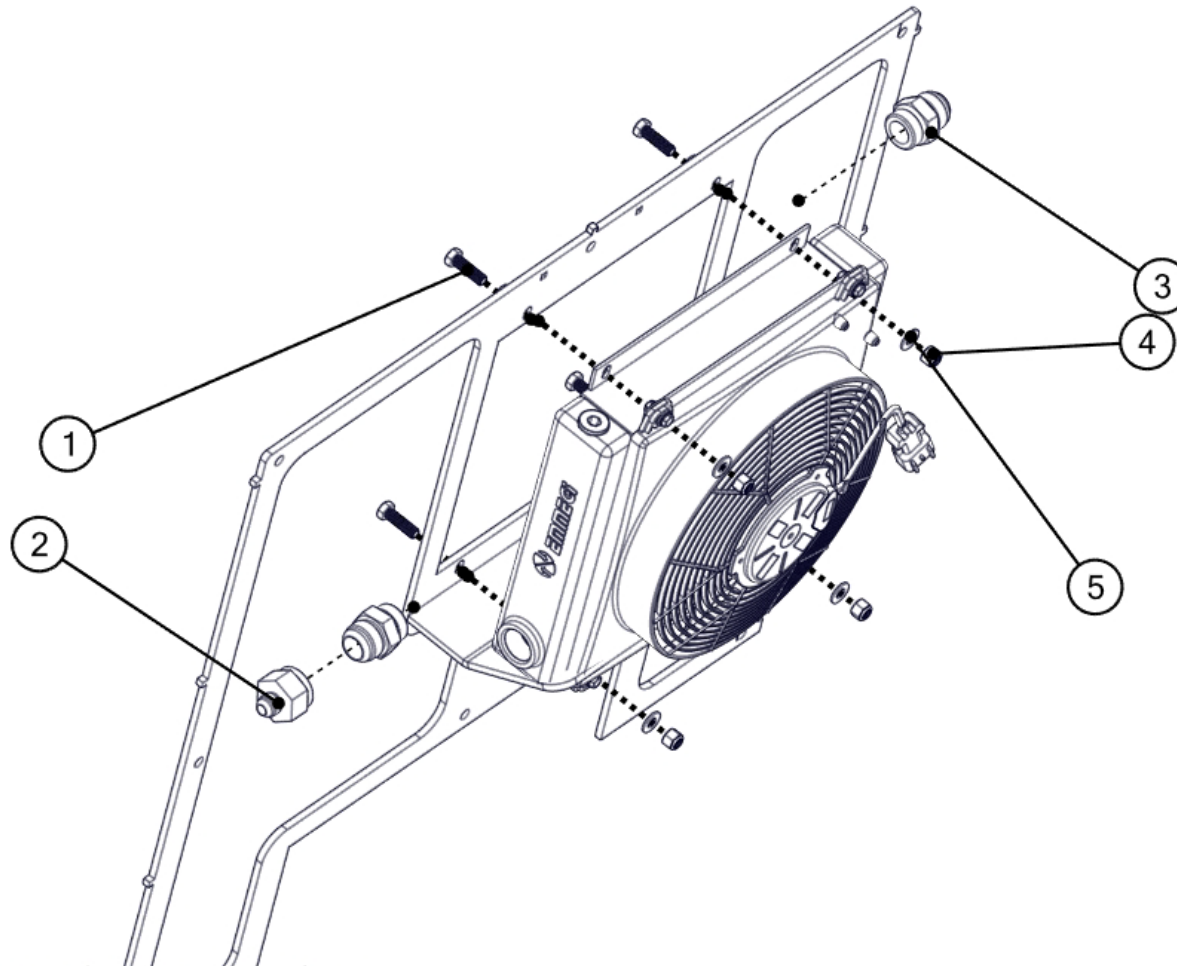


BOM ID	PartNo	Title	Qty
1	CBIZ7381614	Carriage Bolt - 3/8"-16 x 1.25" Long, Grade 5, Zinc	8
2	LNIZ3816	3/8"-16 Nylock Nut - Gr. 5 - Zinc Plated	8
3	31359-0022m	TB Engine Housing v2	1
4	WISS38	Stainless Steel Washer for 3/8" Screw Size, 0.406" ID, 0.75" OD	8

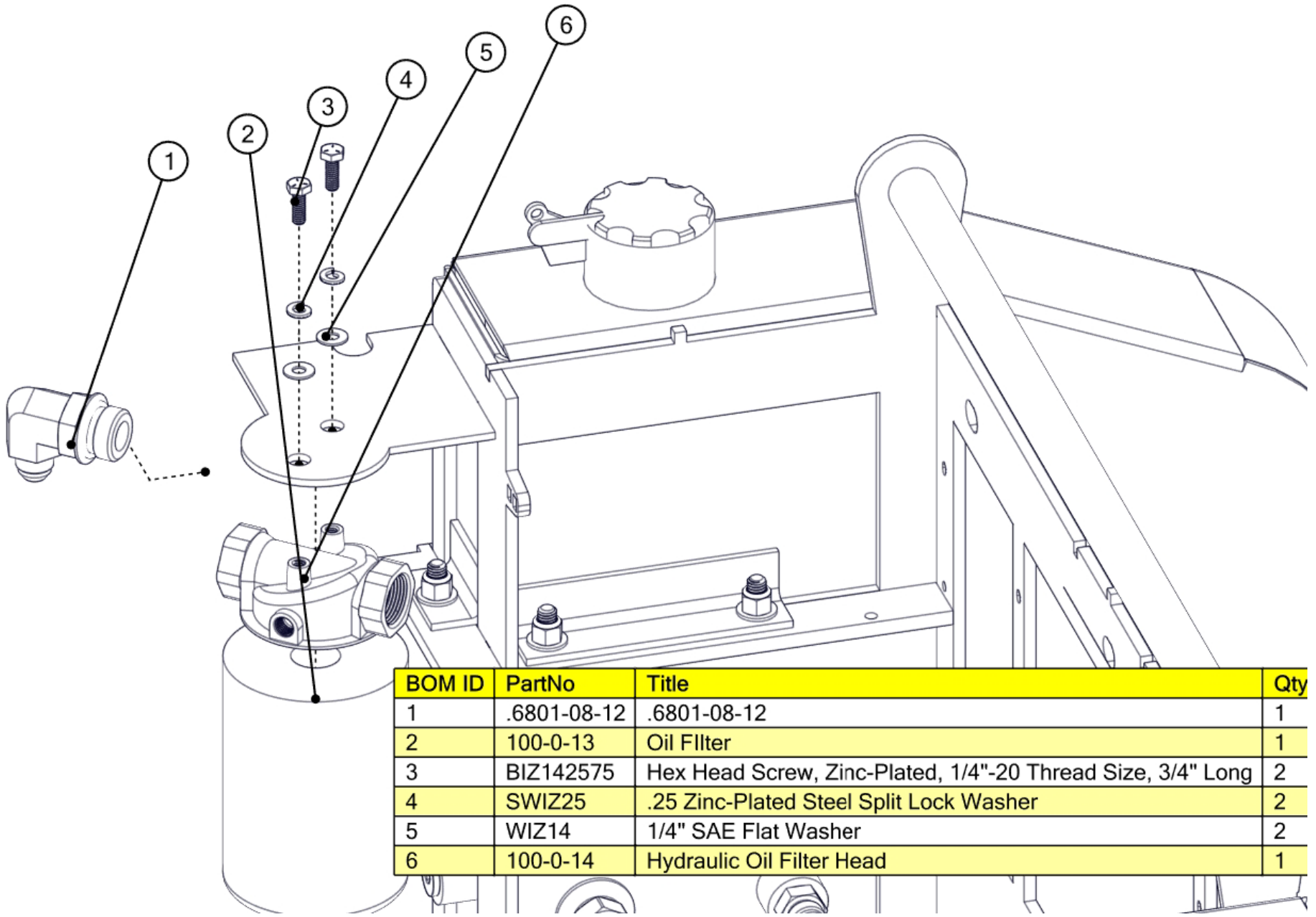


BOM ID	PartNo	Title	Qty
1	BIZ14201	Hex Head Screw, Zinc-Plated, 1/4"-20 Thread Size, 1" Long	2
2	LNIZ1420	1/4"-20 Nylock Nut - Gr. 5 - Zinc Plated	2
3	WIZ14	1/4" SAE Flat Washer	6
4	LNJIZ1420	Thin Nylon-Insert Locknut, Zinc-Plated, 1/4"-20 Thread Size	2
5	31355-1096	Battery Hold Down	1
6	100-0-5	Interstate SP-40	1

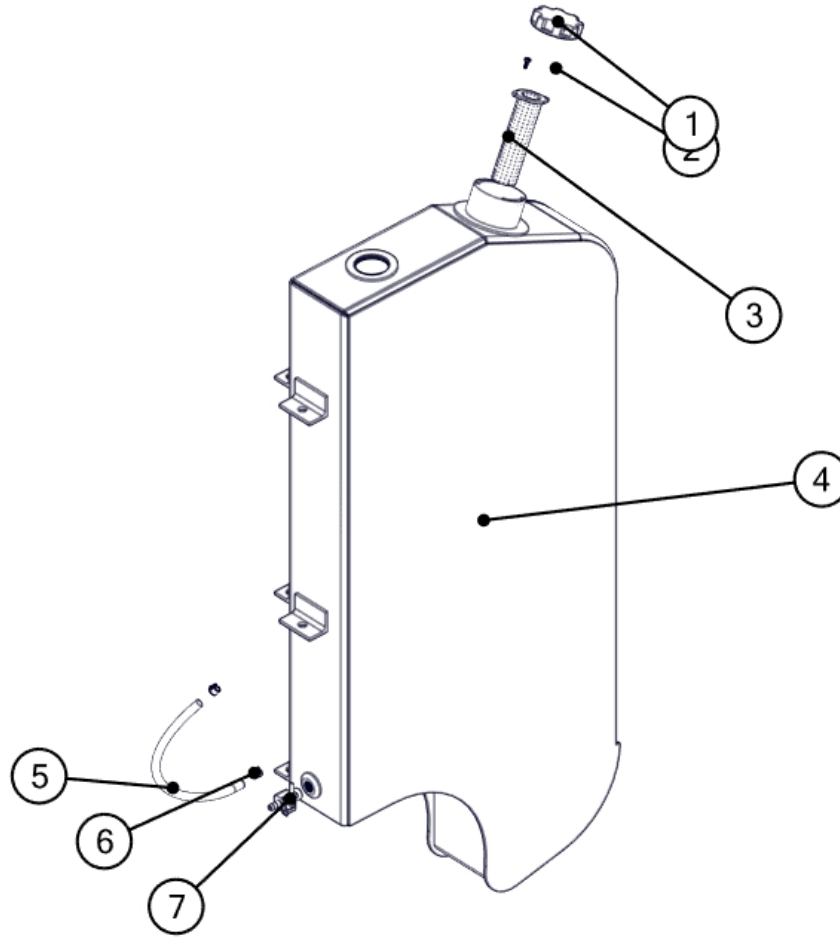
BOM ID	PartNo	Title	Qty
7	102-0-48	Document Tube	1
8	SWIZ25	.25 Zinc-Plated Steel Split Lock Washer	2
9	BIZ142038	Hex Head Screw, Zinc-Plated, 1/4"-20 Thread Size, 3/8" Long	2
10	CBIZ14257	Carriage Bolt, Medium-Strength, Zinc-Plated, 1/4"-20 Thread Size, 7" Long	2
11	102-0-49	Document Tube Cap	1



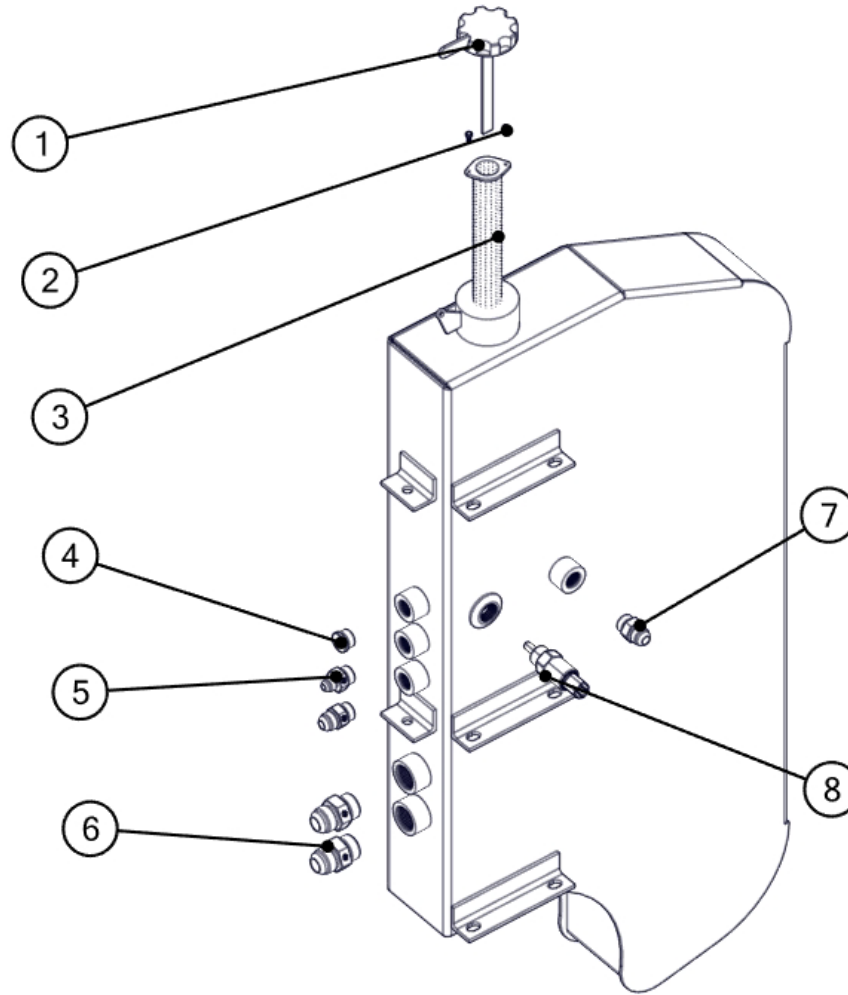
BOM ID	PartNo	Title	Qty
1	BIZ3816	HHCS 3/8"-16 x 1.25" Lg. - Gr. 5 - Zinc Plated	4
2	.2406-16-08	.2406-16-08	1
3	B.6400-16-16	B.6400-16-16	2
4	LNIZ3816	3/8"-16 Nylock Nut - Gr. 5 - Zinc Plated	4
5	WISS38	Stainless Steel Washer for 3/8" Screw Size, 0.406" ID, 0.75" OD	8



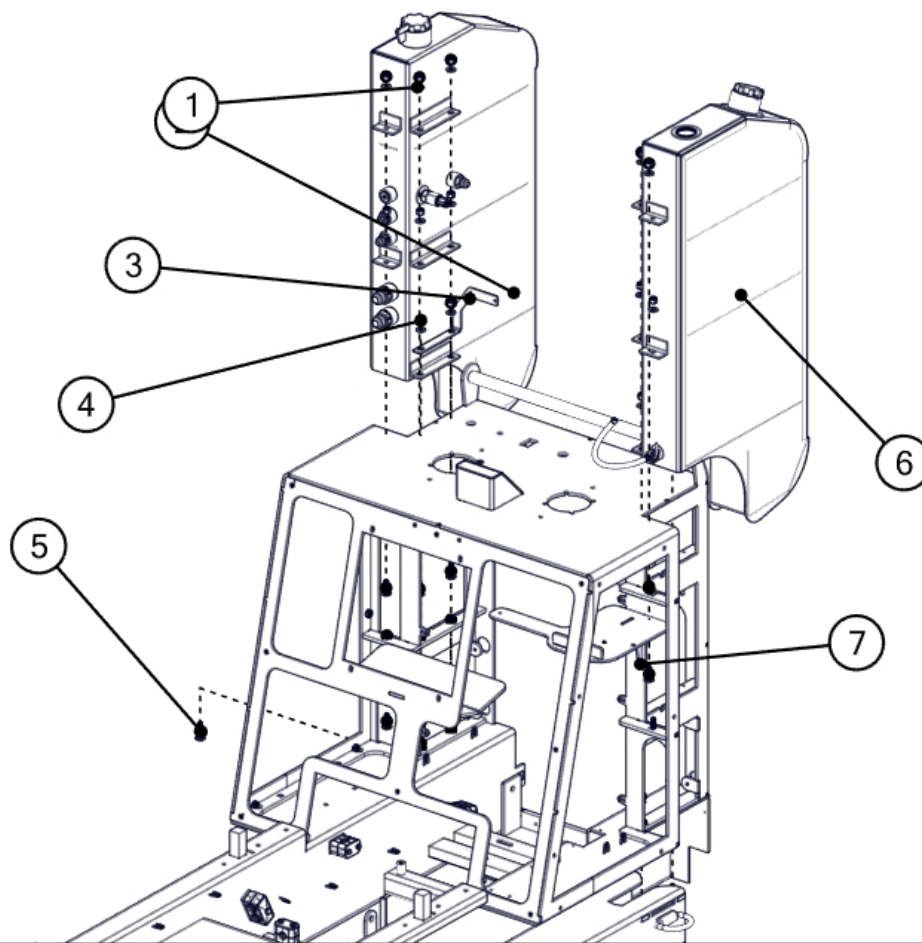
Hydraulic Filter



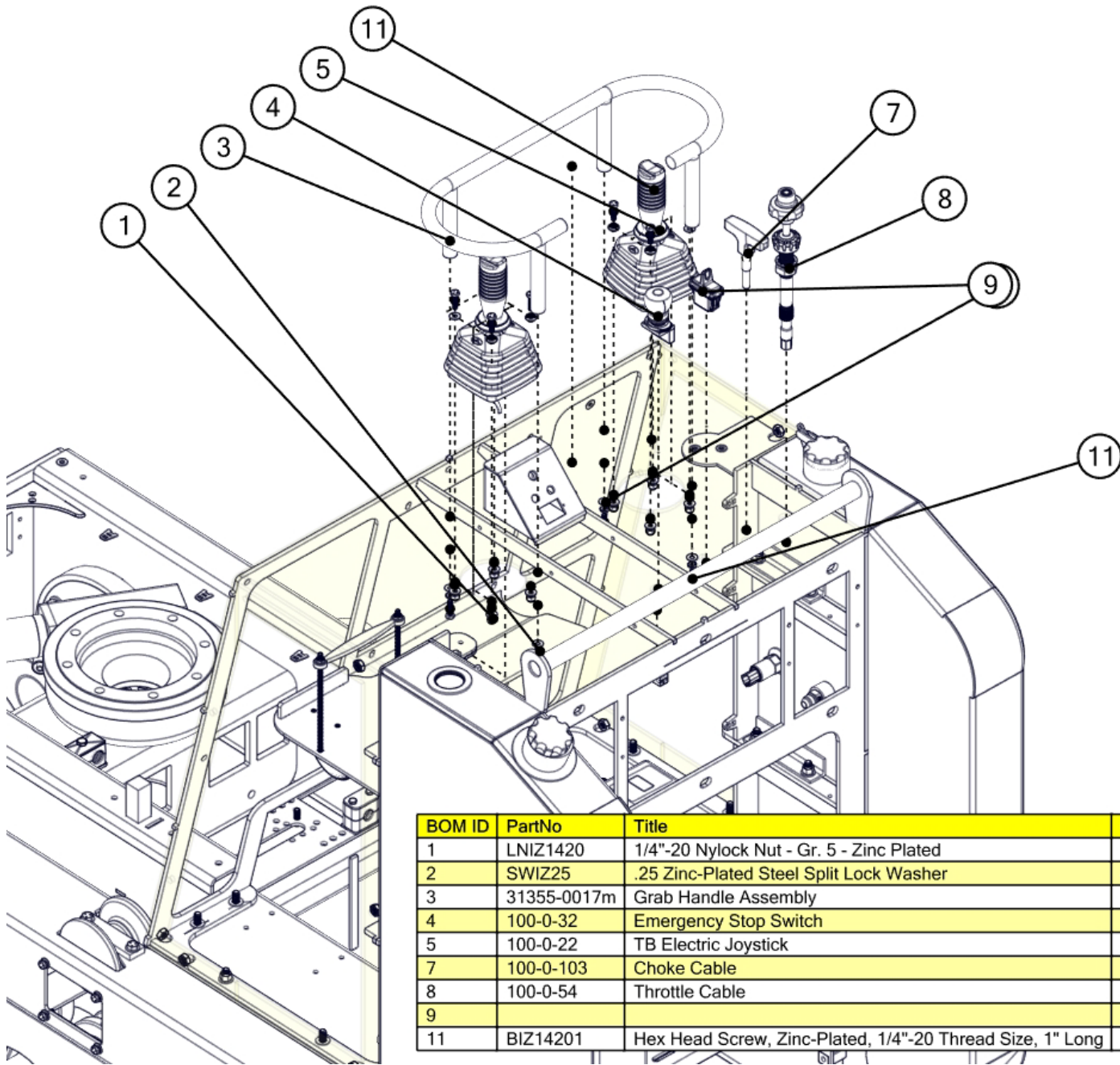
BOM ID	PartNo	Title	Qty
1	100-0-241	Fuel Cap	1
2	SIZ632375	Zinc-Plated Steel Hex Head Screws, 6-32 Thread Size, 3/8" Long	2
3	100-0-244	Fuel Strainer	1
4	31359-0018m	TB Gas Tank Assembly	1
5	100-0-266	TB Fuel Hose	1
6	100-0-231	Hose Clamp	2
7	100-0-78	100-0-78	1



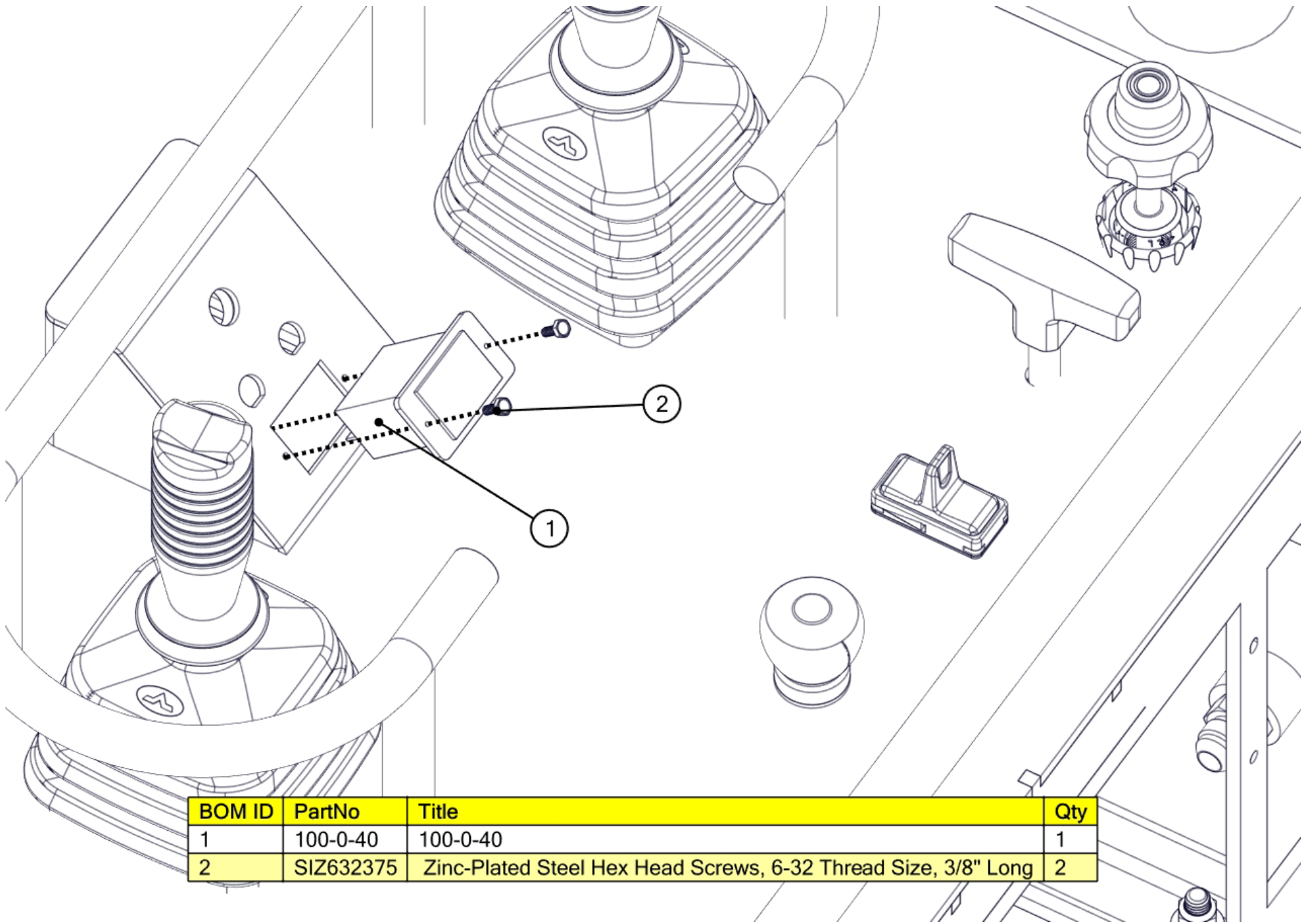
BOM ID	PartNo	Title	Qty
1	100-0-242	Hydraulic Cap	1
2	SIZ632375	Zinc-Plated Steel Hex Head Screws, 6-32 Thread Size, 3/8" Long	2
3	100-0-243	Hydraulic Strainer	1
4	.6408-H08	.6408-H08	1
5	.6400-06-08	.6400-06-08	1
6	.6400-12-12	.6400-12-12	2
7	.6400-08-08	.6400-08-08	2
8	100-0-236	Cooler Temp Switch	1



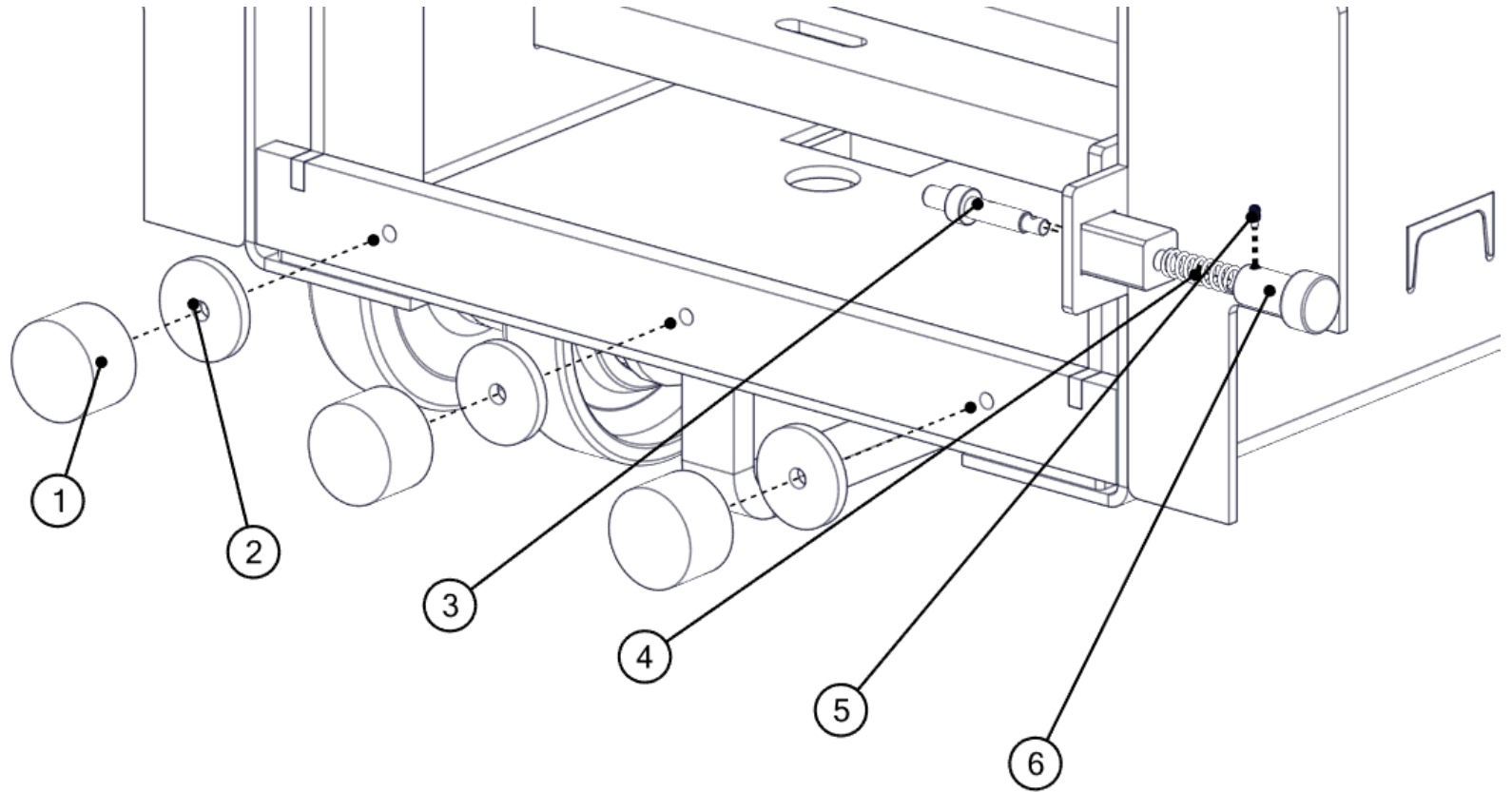
BOM ID	PartNo	Title	Qty
1	WISS38	Stainless Steel Washer for 3/8" Screw Size, 0.406" ID, 0.75" OD	16
2	31359-0019m	TB Hydraulic Tank Assembly	1
3	31355-1172m	Box Mount	1
4	LNIZ3816	3/8"-16 Nylock Nut - Gr. 5 - Zinc Plated	16
5	CBIZ7381612	Square-Neck Carriage Bolt, Medium-Strength, Zinc-Plated, 3/8"-16 Thread Size, 1-1/2" Long	2
6	31359-0018m	TB Gas Tank Assembly	1
7	CBIZ7381614	Carriage Bolt - 3/8"-16 x 1.25" Long, Grade 5, Zinc	14



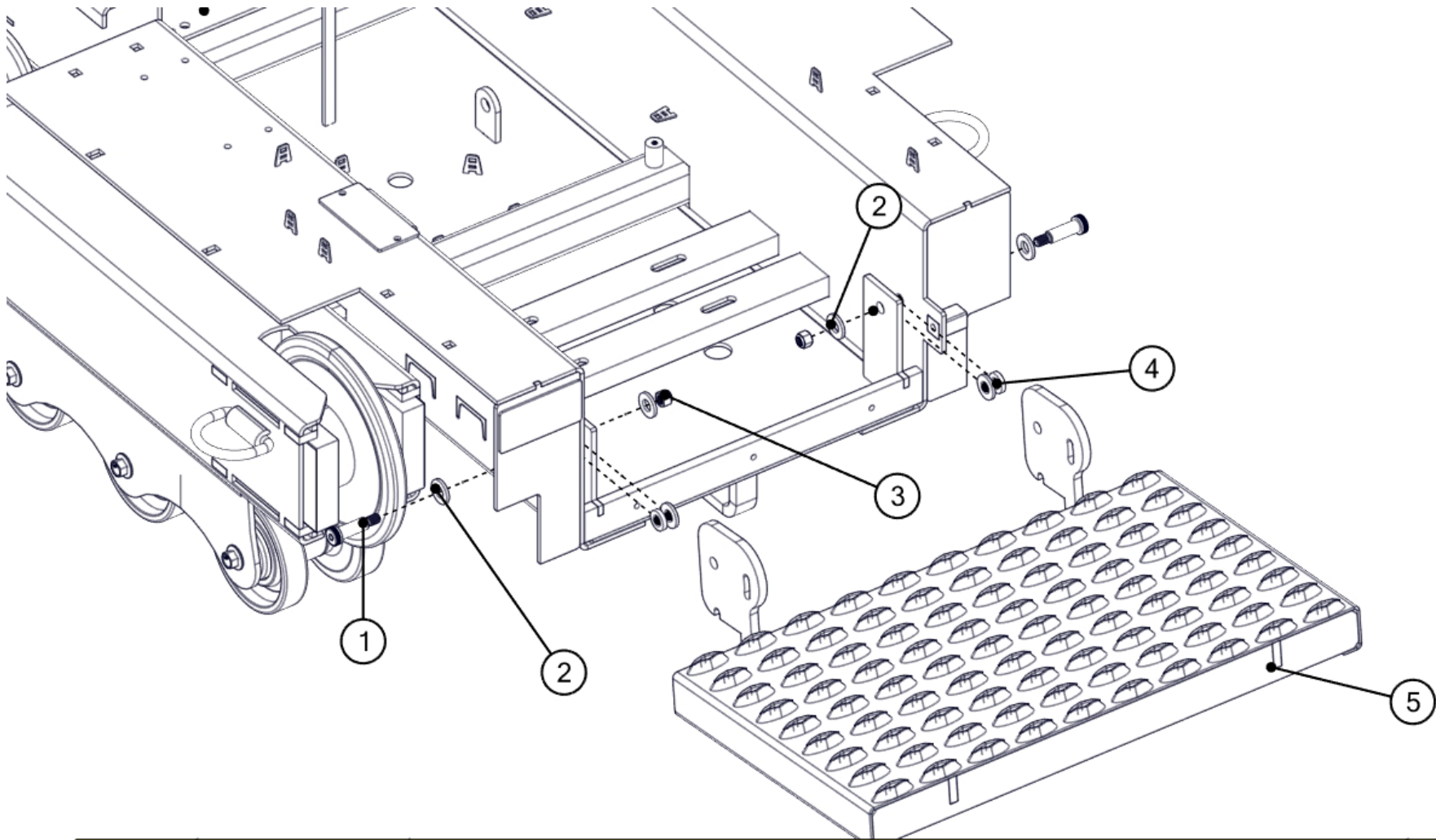
BOM ID	PartNo	Title	Qty
1	LNIZ1420	1/4"-20 Nylock Nut - Gr. 5 - Zinc Plated	8
2	SWIZ25	.25 Zinc-Plated Steel Split Lock Washer	4
3	31355-0017m	Grab Handle Assembly	1
4	100-0-32	Emergency Stop Switch	1
5	100-0-22	TB Electric Joystick	2
7	100-0-103	Choke Cable	1
8	100-0-54	Throttle Cable	1
9			21
11	BIZ14201	Hex Head Screw, Zinc-Plated, 1/4"-20 Thread Size, 1" Long	12



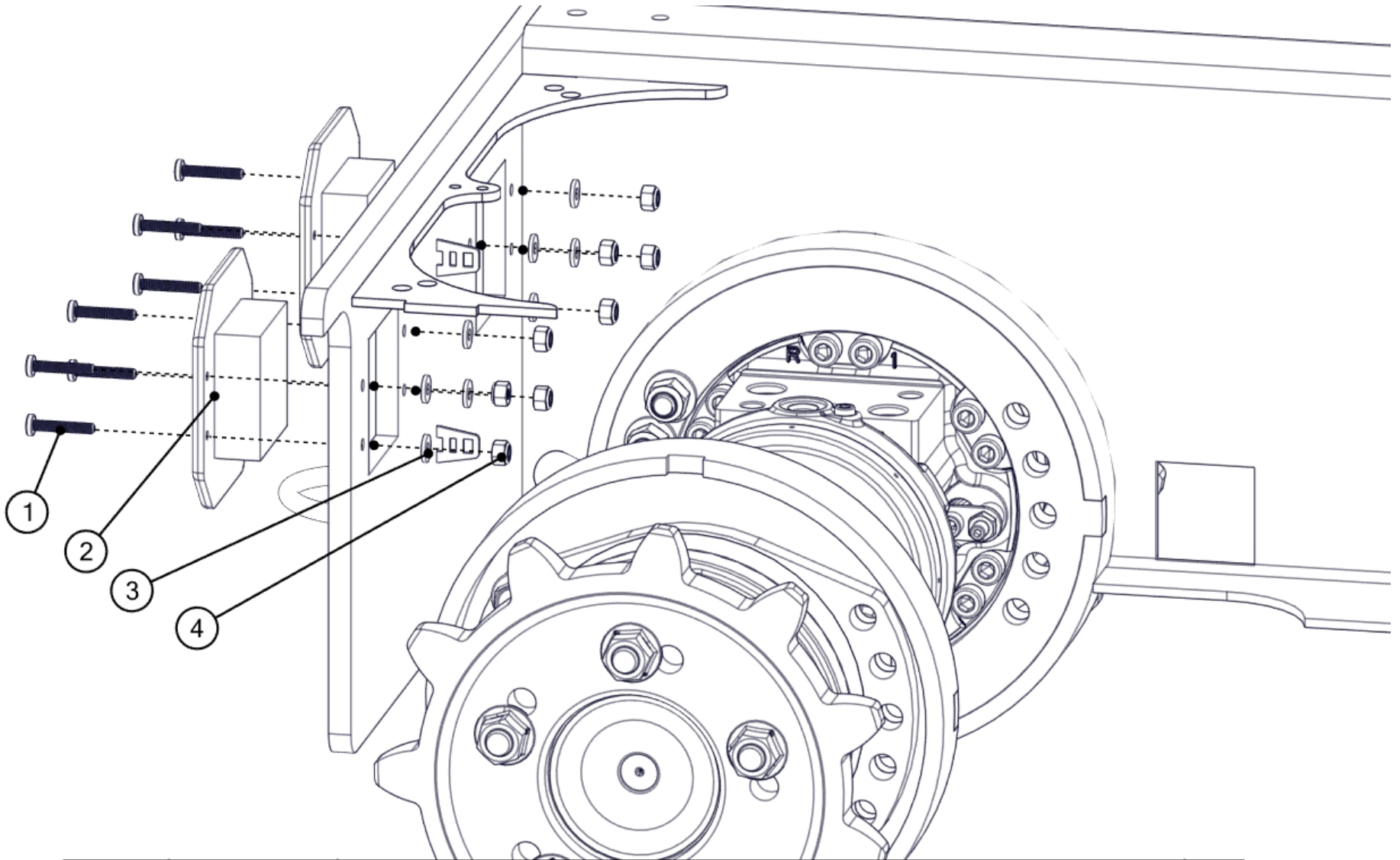
BOM ID	PartNo	Title	Qty
1	100-0-40	100-0-40	1
2	SIZ632375	Zinc-Plated Steel Hex Head Screws, 6-32 Thread Size, 3/8" Long	2



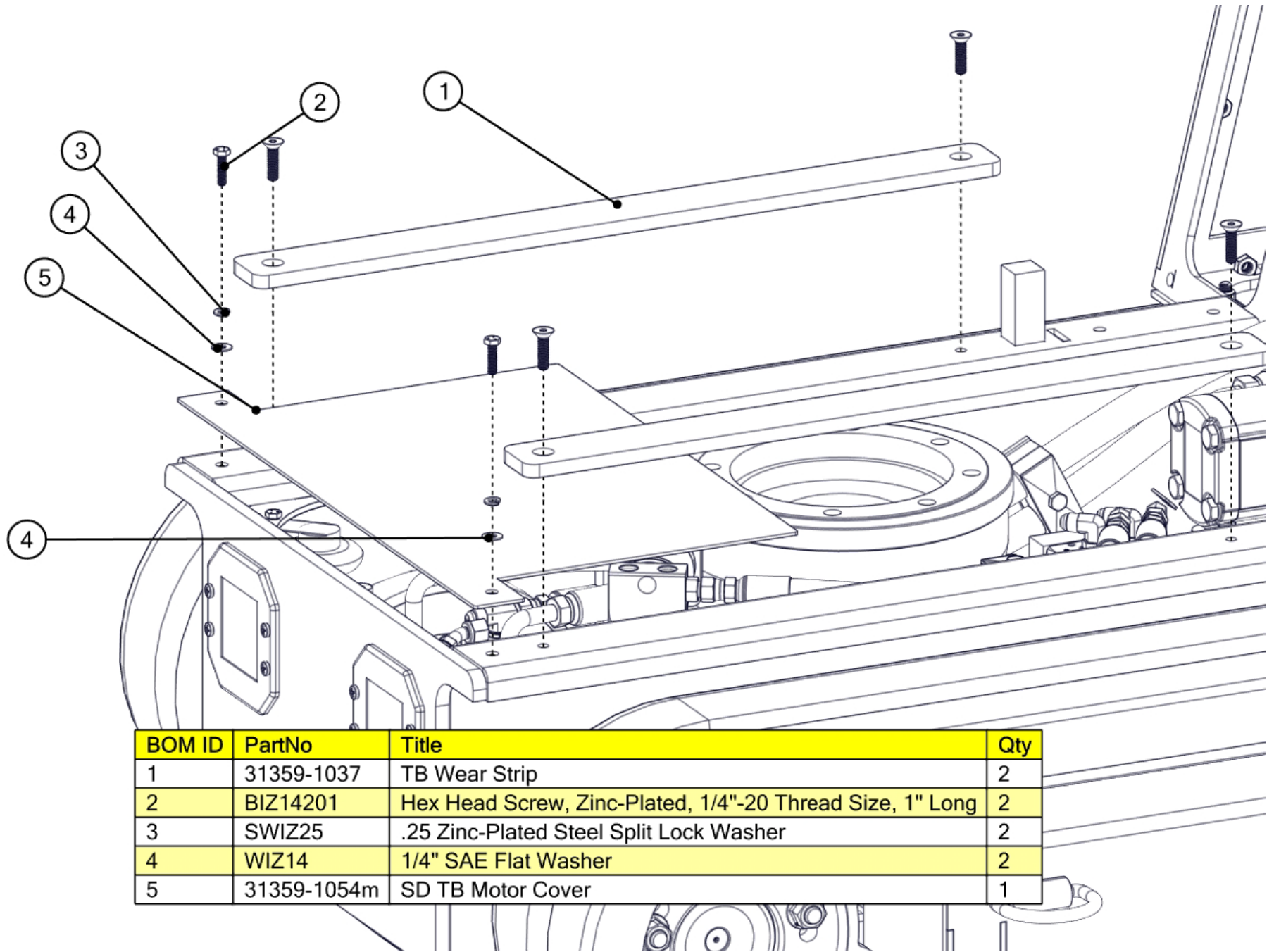
BOM ID	PartNo	Title	Qty
1	102-0-45	Standing Platform Bumper	3
2	100-0-258	Bumper Spacer	3
3	100-0-223	Platform pin	1
4	SIZ1125	Platform Pin Spring	1
5	SSMSS407	Extended-Tip Set Screws, M4 x 0.7 mm Thread, 8 mm Long	1
6	100-0-224	Platform Knob	1



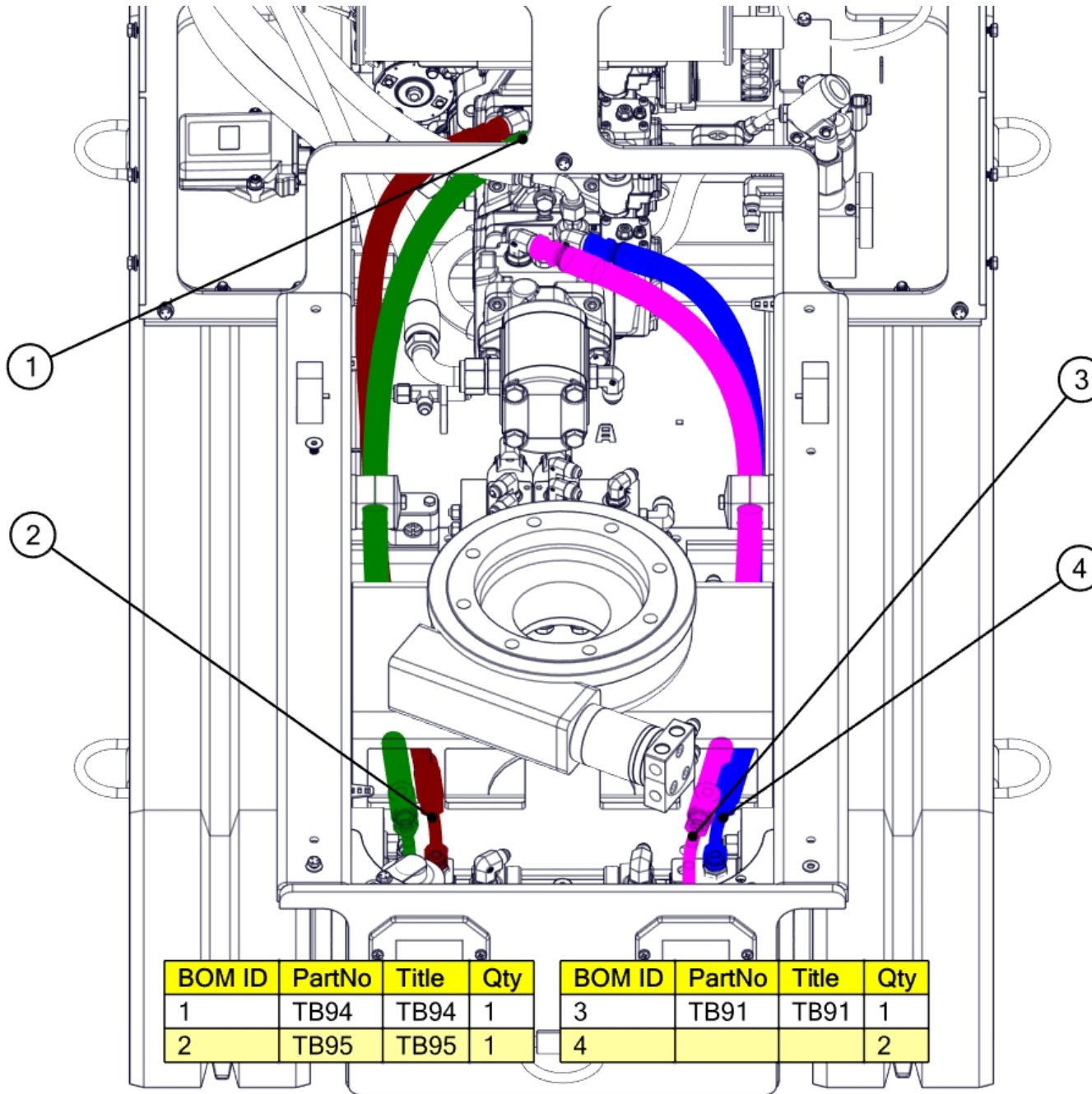
BOM ID	PartNo	Title	Qty
1	SBIBP1213816	Shoulder Screw, 1/2" Shoulder Diameter, 1-3/8" Shoulder Length, 3/8"-16 Thread	2
2	WIZ5	WASHER-FLAT-0.500-GR5-ZINC	7
3	LNIZ3816	3/8"-16 Nylock Nut - Gr. 5 - Zinc Plated	2
4	NLJIZ1213	Steel Thin Nylon-Insert Locknut Zinc-Plated, 1/2"-13 Thread Size	2
5	31355-0012m	TB Standing Platform Assembly	1



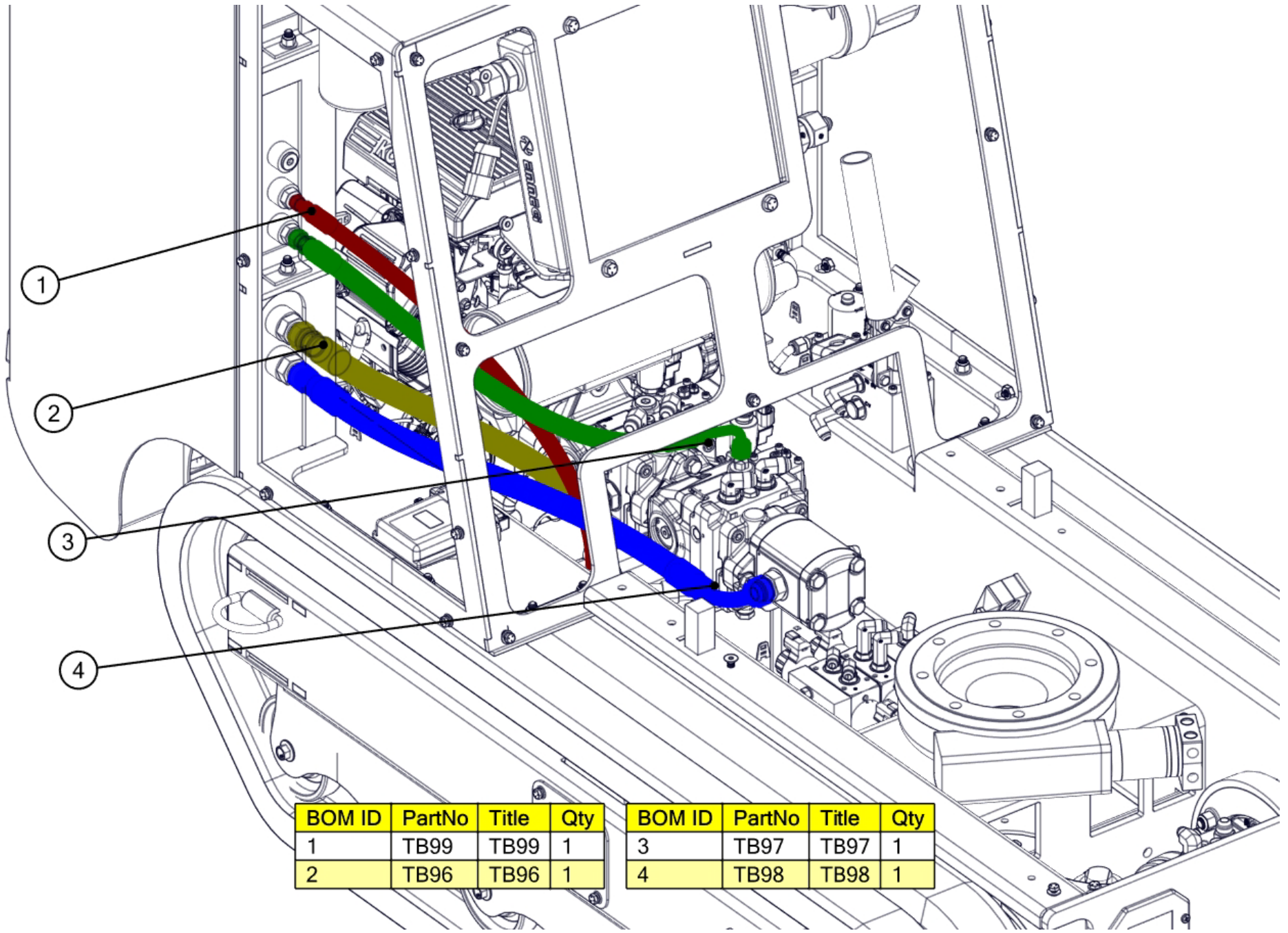
BOM ID	PartNo	Title	Qty
1	PHIZ1224114	Zinc-Plated Steel Pan Head Phillips Screw, 12-24 Thread, 1-1/4" Long	8
2	100-0-81	LED Light	2
3	WIZ12	Zinc-Plated Steel SAE Washer for Number 12 Screw Size, 0.25" ID, 0.562" OD	8
4	LNIZ1224	Nylon-Insert Locknut, Zinc-Plated, 12-24 Thread Size	8



BOM ID	PartNo	Title	Qty
1	31359-1037	TB Wear Strip	2
2	BIZ14201	Hex Head Screw, Zinc-Plated, 1/4"-20 Thread Size, 1" Long	2
3	SWIZ25	.25 Zinc-Plated Steel Split Lock Washer	2
4	WIZ14	1/4" SAE Flat Washer	2
5	31359-1054m	SD TB Motor Cover	1



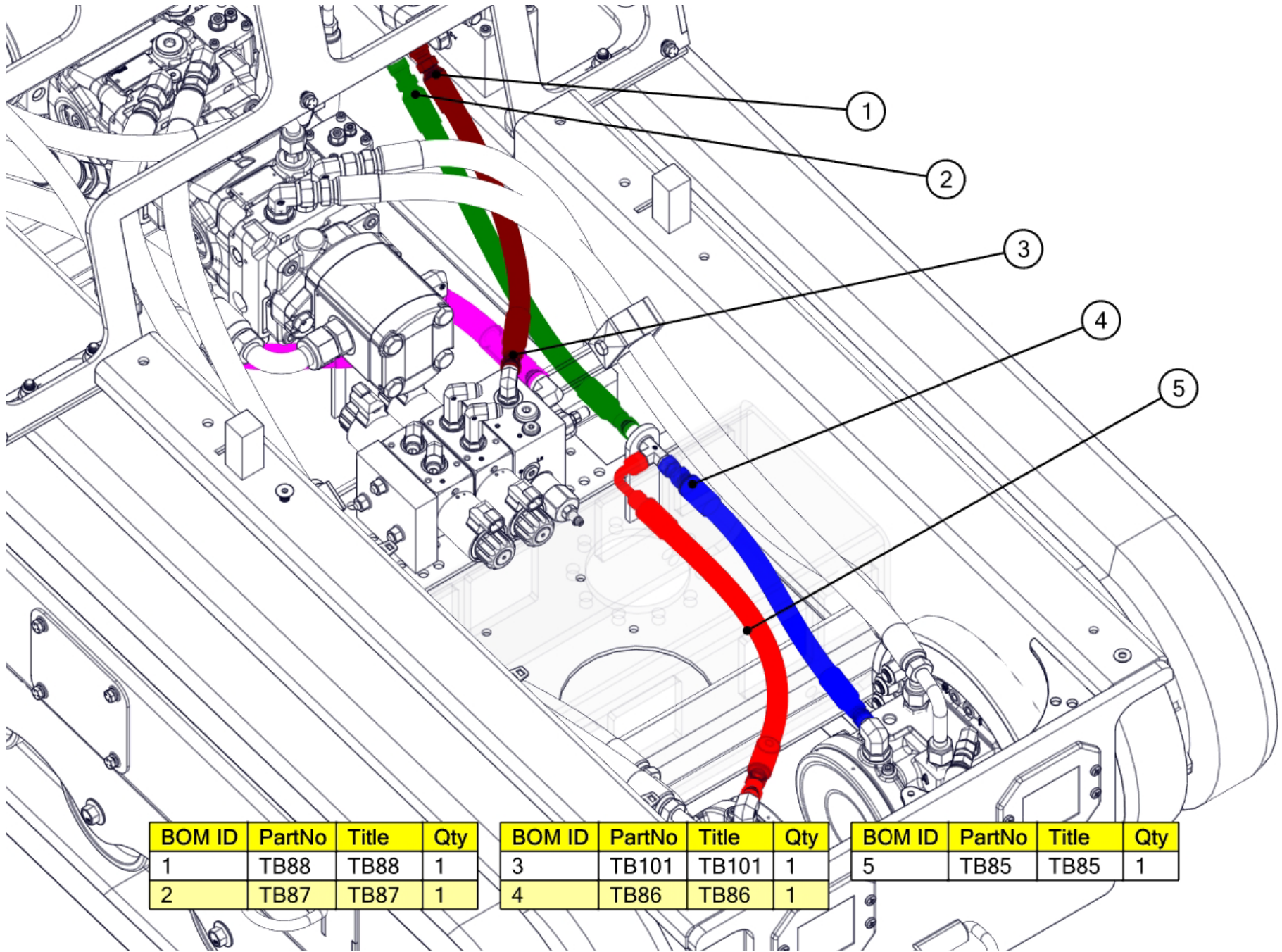
Drive Motor Hoses



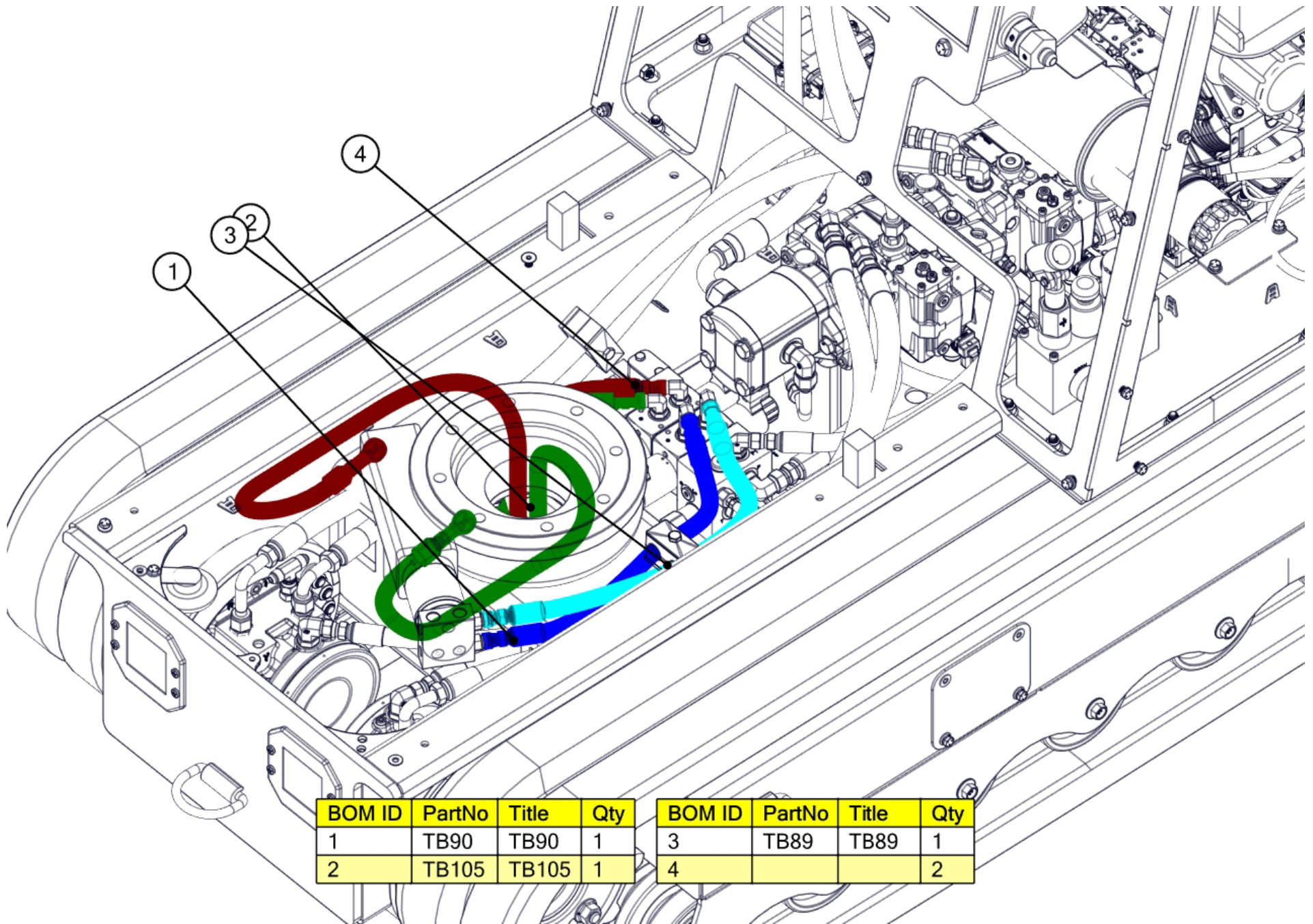
BOM ID	PartNo	Title	Qty
1	TB99	TB99	1
2	TB96	TB96	1

BOM ID	PartNo	Title	Qty
3	TB97	TB97	1
4	TB98	TB98	1

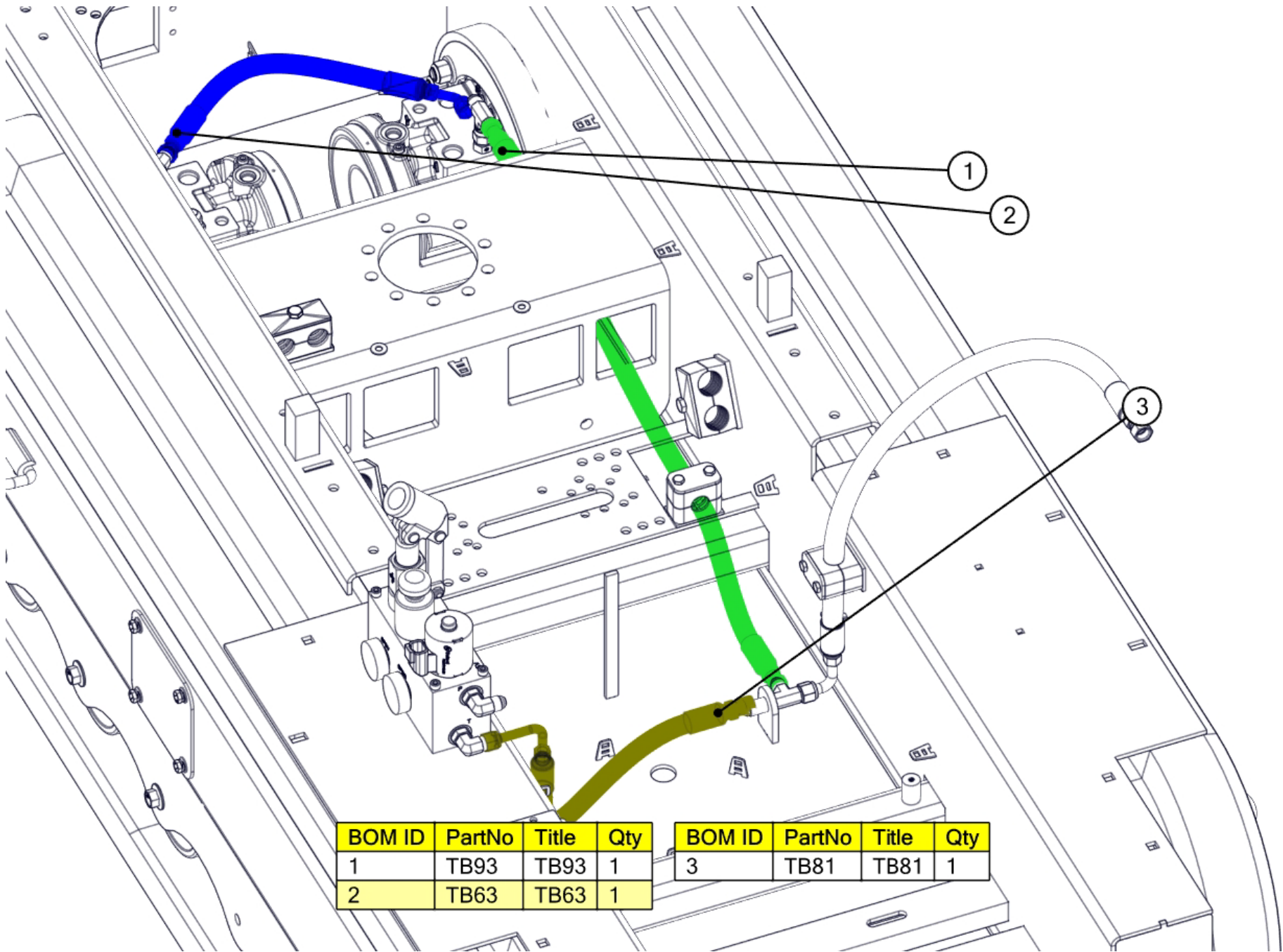
Tank Hoses



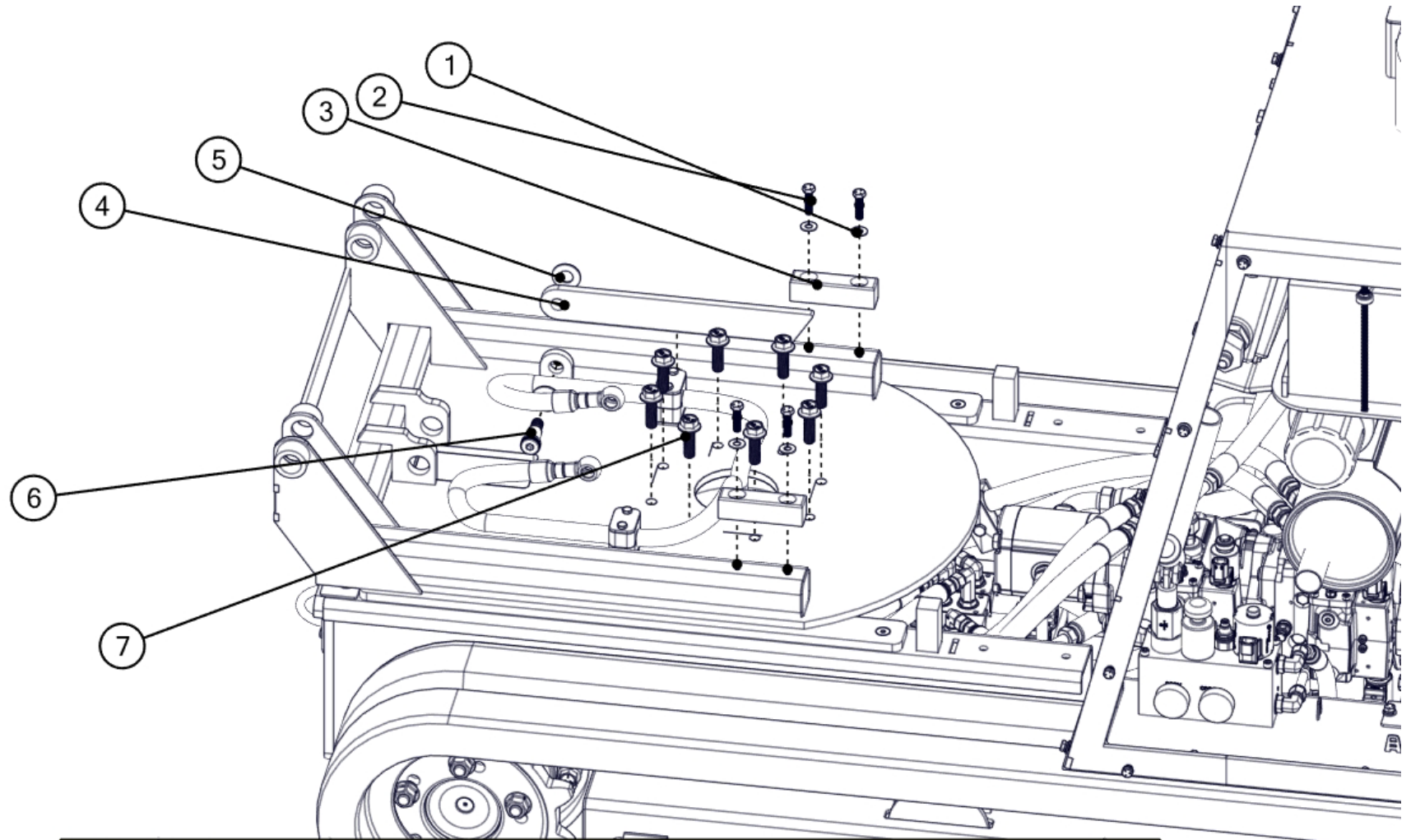
Hand Pump Hoses



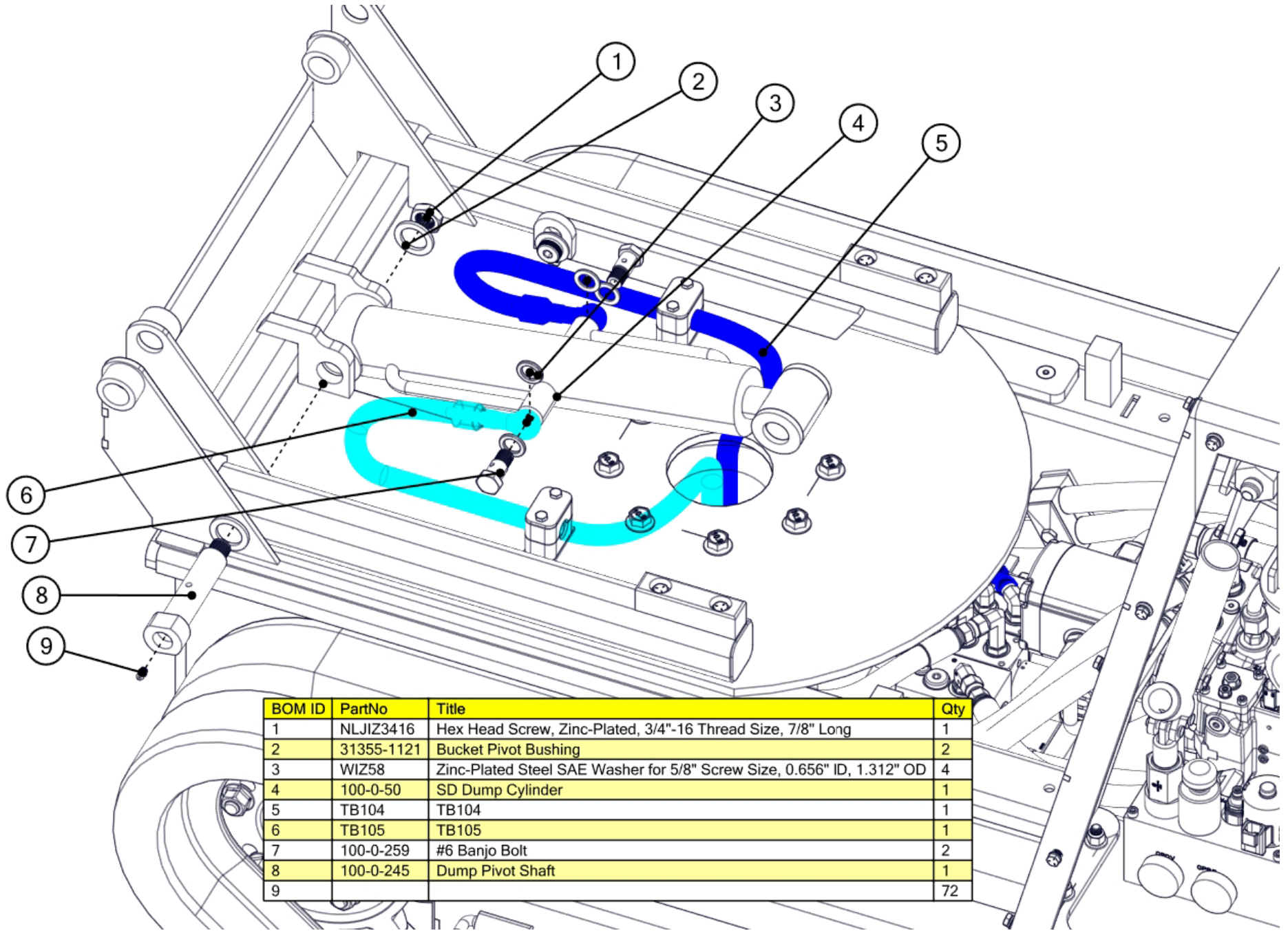
Auxiliary Coil Hoses



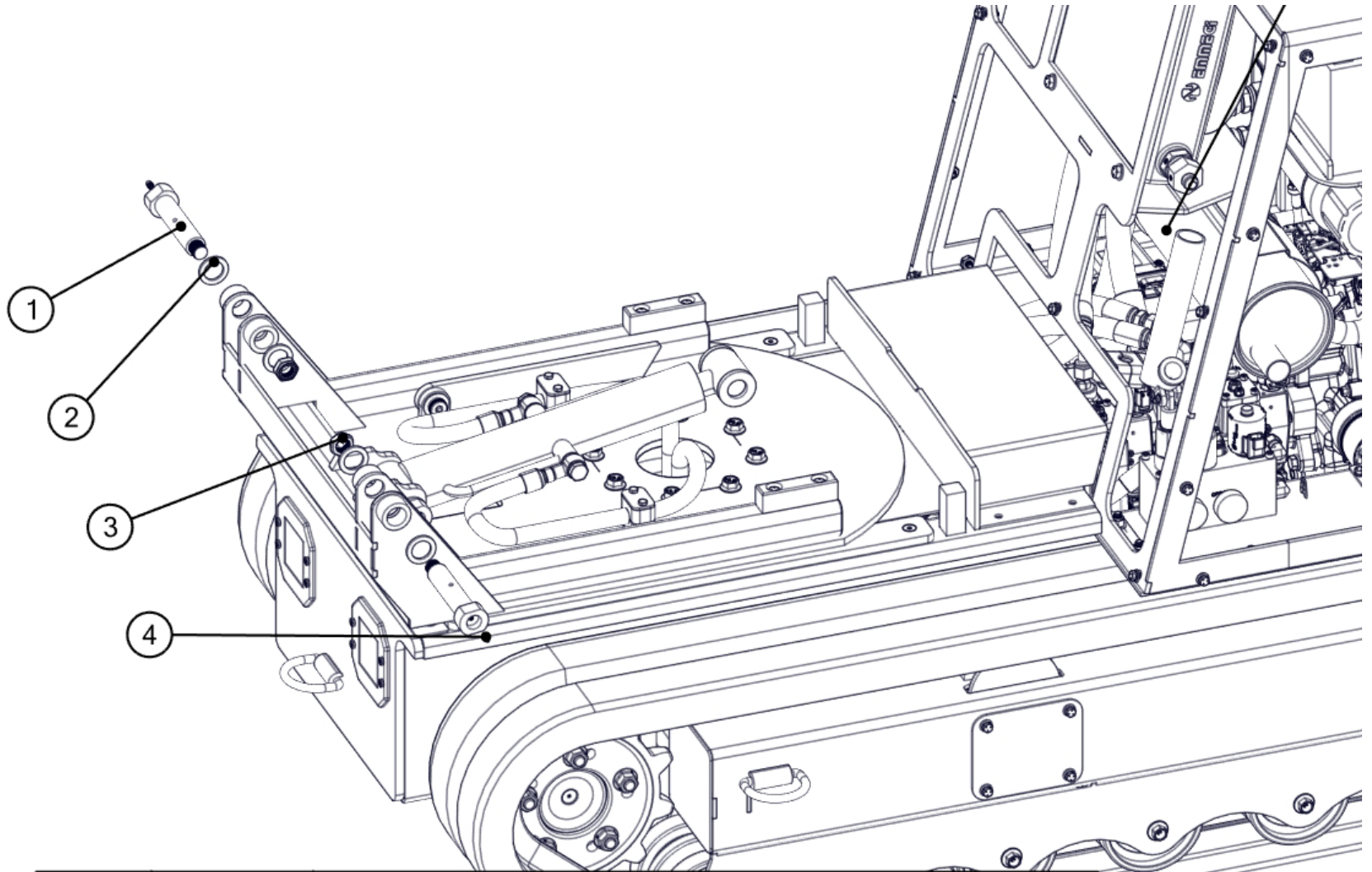
Drain Hoses



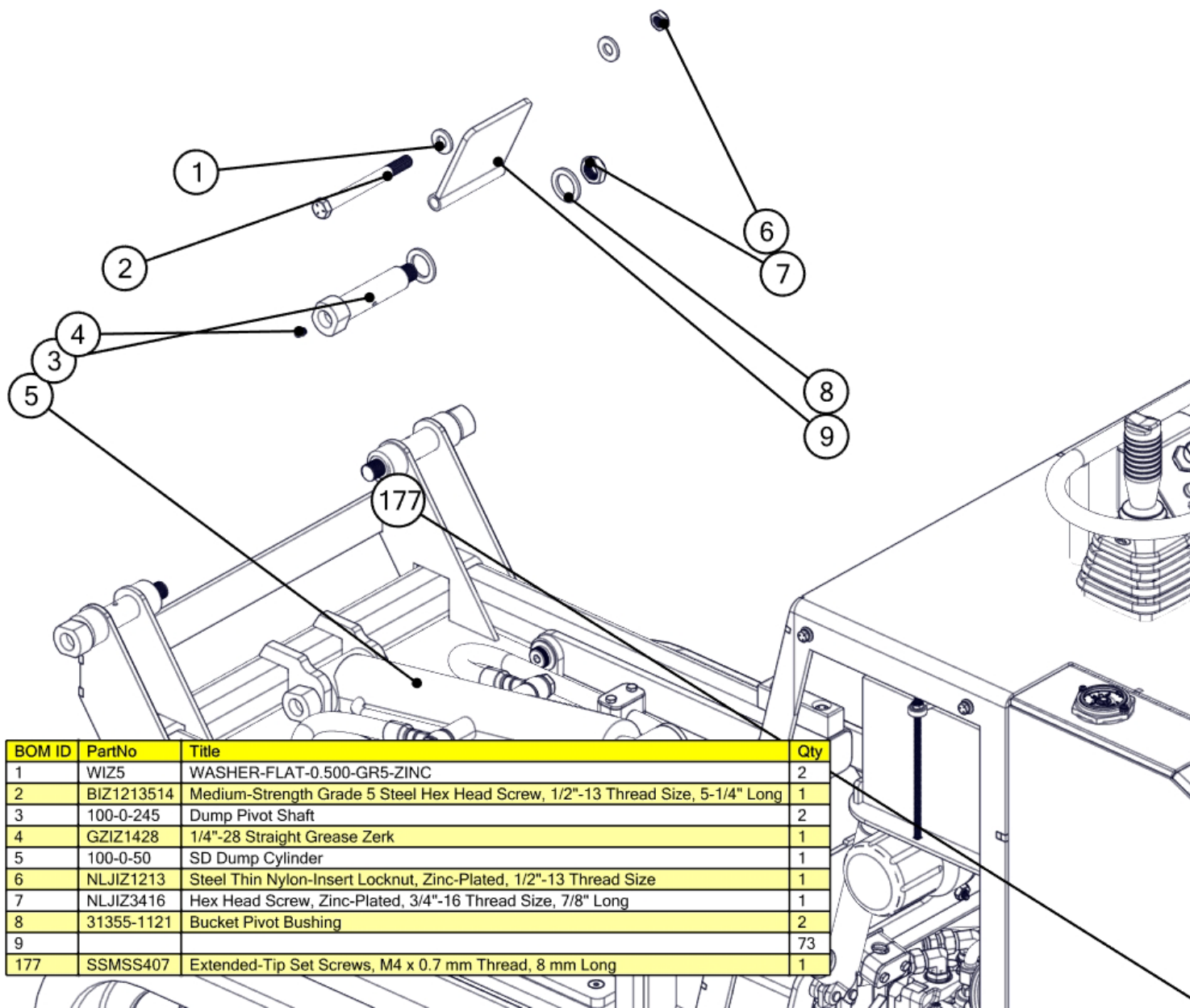
BOM ID	PartNo	Title	Qty
1	WIZ516	5/16" SAE Flat Washer	8
2	BIZ51624125	Hex Head Screw, Zinc-Plated, 5/16"-24 Thread Size, 1-1/4" Long	4
3	100-0-196	Bucket Bumper	2
4	31359-1130m	Bucket Safety Bar 16 cu ft	1
5	WIZ58	Zinc-Plated Steel SAE Washer for 5/8" Screw Size, 0.656" ID, 1.312" OD	2
6	SBIBP5811213	Shoulder Screw, 5/8" Shoulder Diameter, 1" Shoulder Length, 1/2"-13 Thread	1
7	FBMB1217540	Flanged Hex Head, M12 x 1.75mm, 40mm Long	8



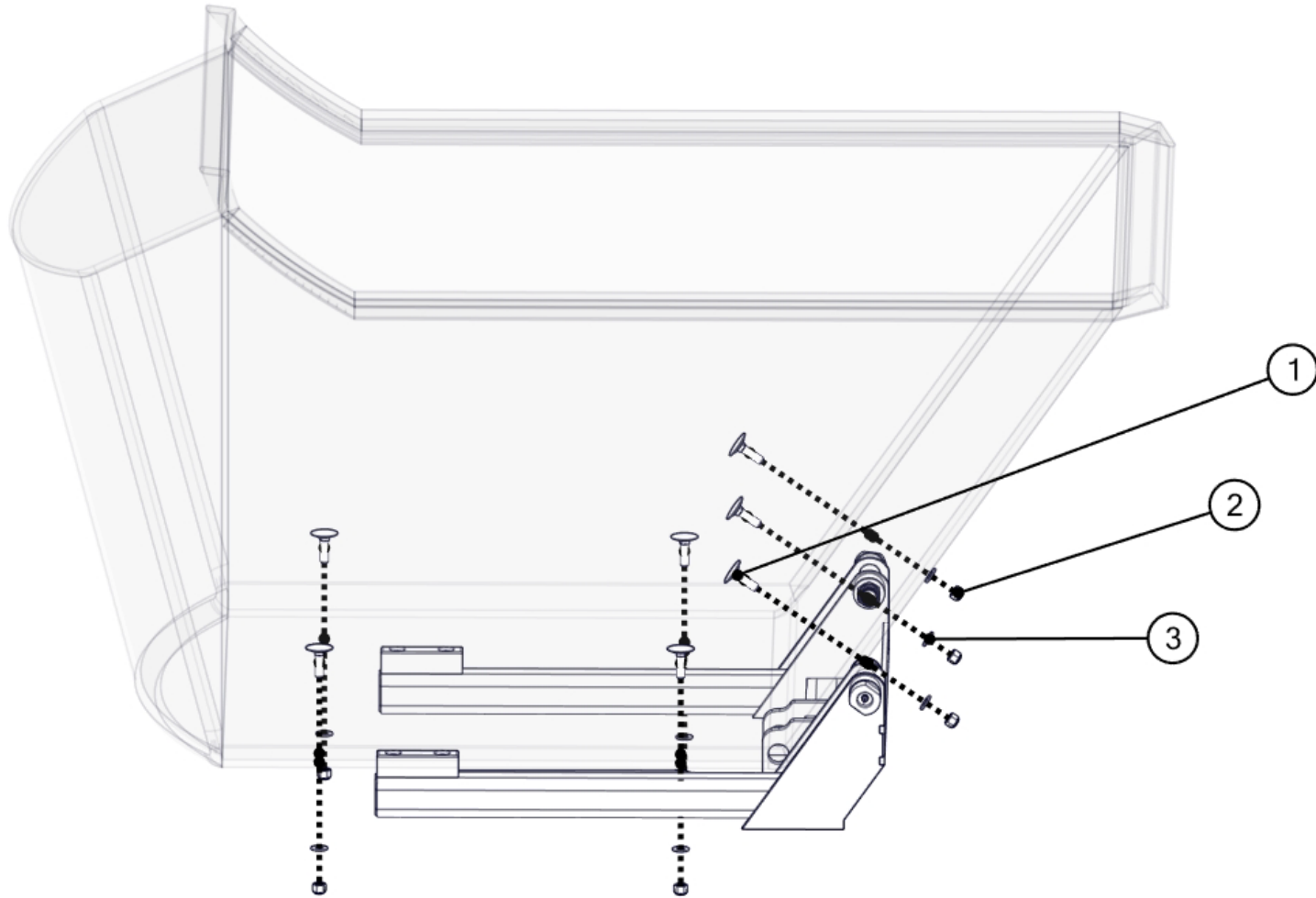
BOM ID	PartNo	Title	Qty
1	NLJIZ3416	Hex Head Screw, Zinc-Plated, 3/4"-16 Thread Size, 7/8" Long	1
2	31355-1121	Bucket Pivot Bushing	2
3	WIZ58	Zinc-Plated Steel SAE Washer for 5/8" Screw Size, 0.656" ID, 1.312" OD	4
4	100-0-50	SD Dump Cylinder	1
5	TB104	TB104	1
6	TB105	TB105	1
7	100-0-259	#6 Banjo Bolt	2
8	100-0-245	Dump Pivot Shaft	1
9			72



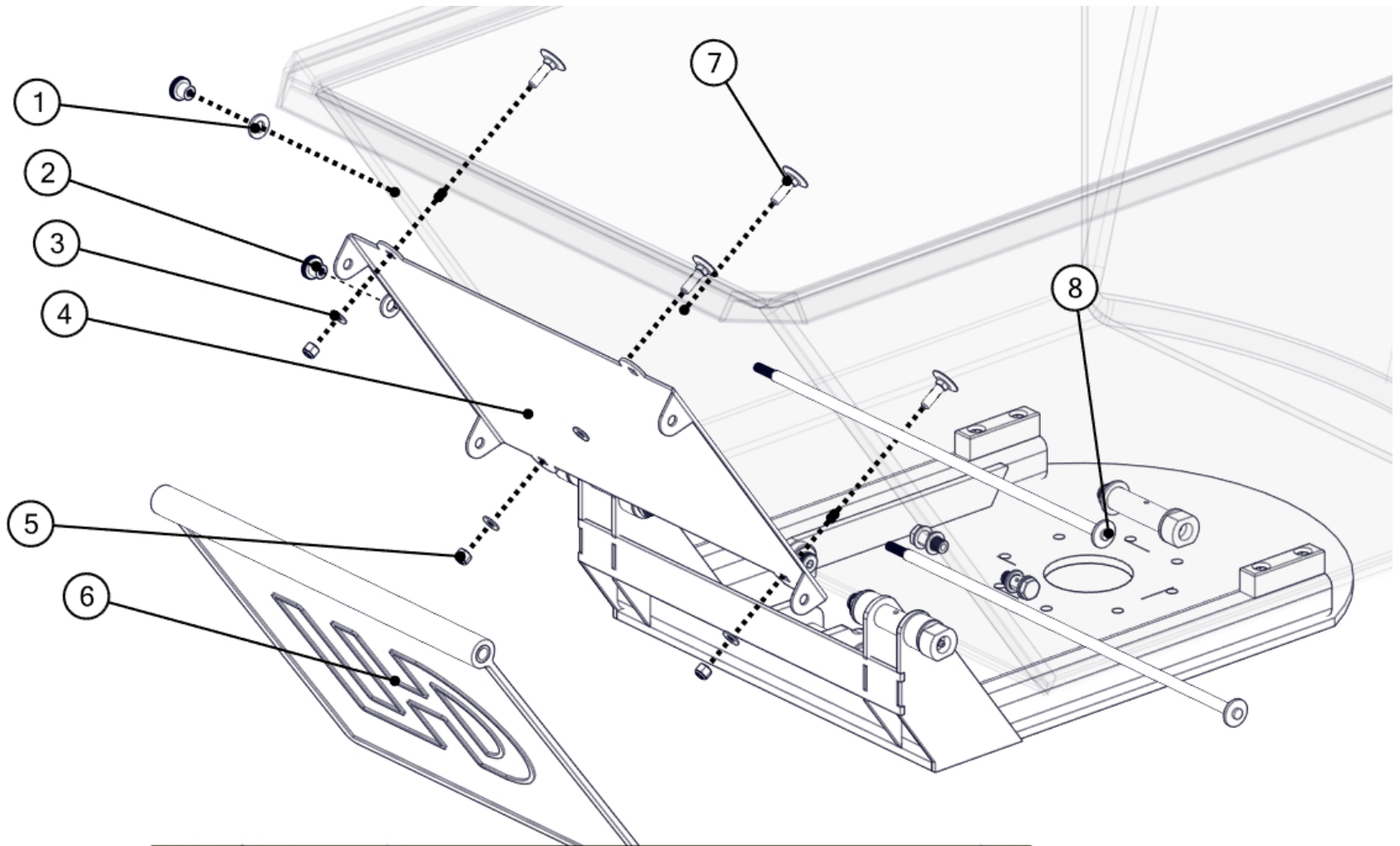
BOM ID	PartNo	Title	Qty
1	100-0-245	Dump Pivot Shaft	2
2	31355-1121	Bucket Pivot Bushing	6
3	NLJIZ3416	Hex Head Screw, Zinc-Plated, 3/4"-16 Thread Size, 7/8" Long	2
4	GZIZ1428	1/4"-28 Straight Grease Zerk	2



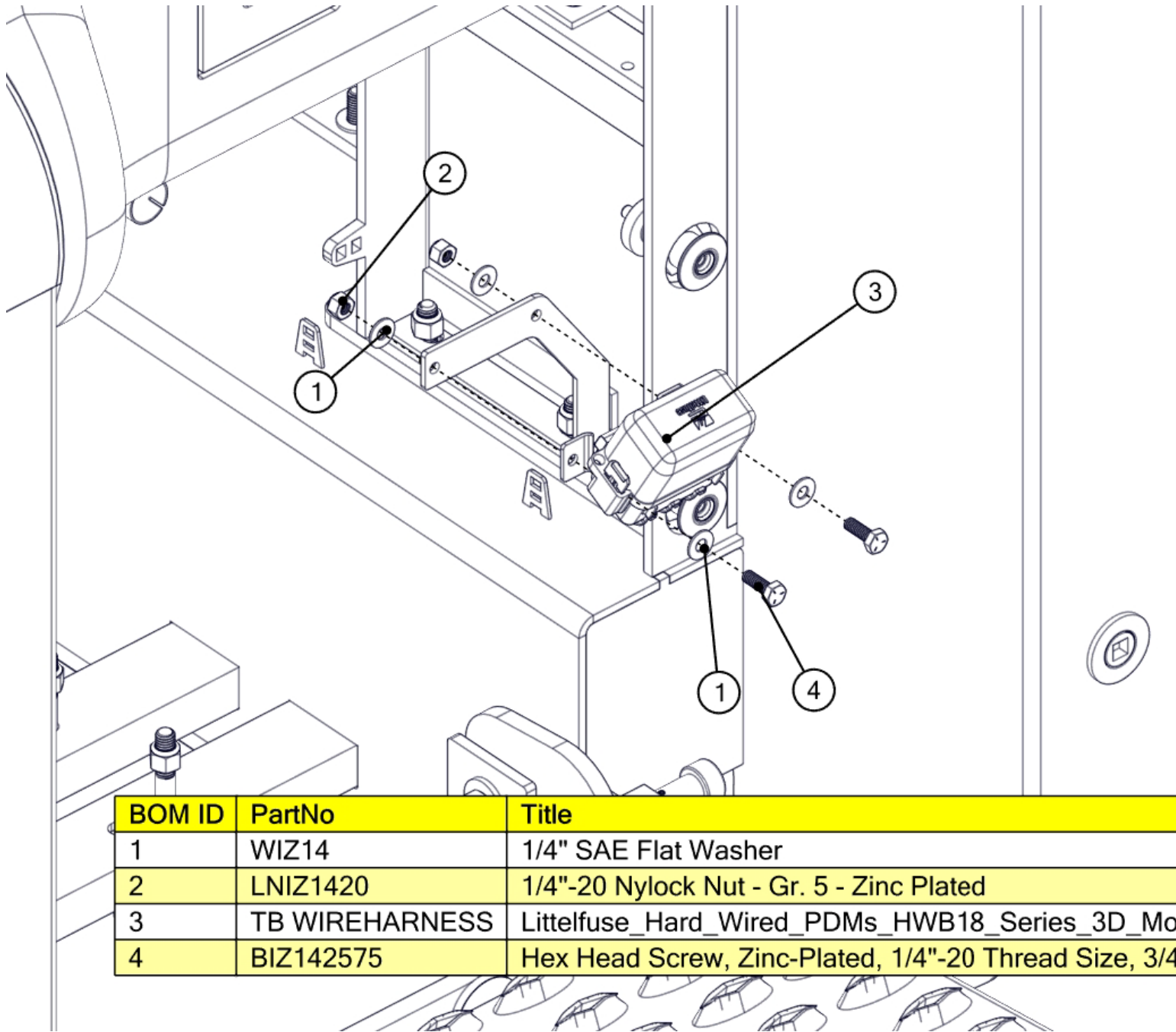
BOM ID	PartNo	Title	Qty
1	WIZ5	WASHER-FLAT-0.500-GR5-ZINC	2
2	BIZ1213514	Medium-Strength Grade 5 Steel Hex Head Screw, 1/2"-13 Thread Size, 5-1/4" Long	1
3	100-0-245	Dump Pivot Shaft	2
4	GZIZ1428	1/4"-28 Straight Grease Zerk	1
5	100-0-50	SD Dump Cylinder	1
6	NLJIZ1213	Steel Thin Nylon-Insert Locknut, Zinc-Plated, 1/2"-13 Thread Size	1
7	NLJIZ3416	Hex Head Screw, Zinc-Plated, 3/4"-16 Thread Size, 7/8" Long	1
8	31355-1121	Bucket Pivot Bushing	2
9			73
177	SSMSS407	Extended-Tip Set Screws, M4 x 0.7 mm Thread, 8 mm Long	1



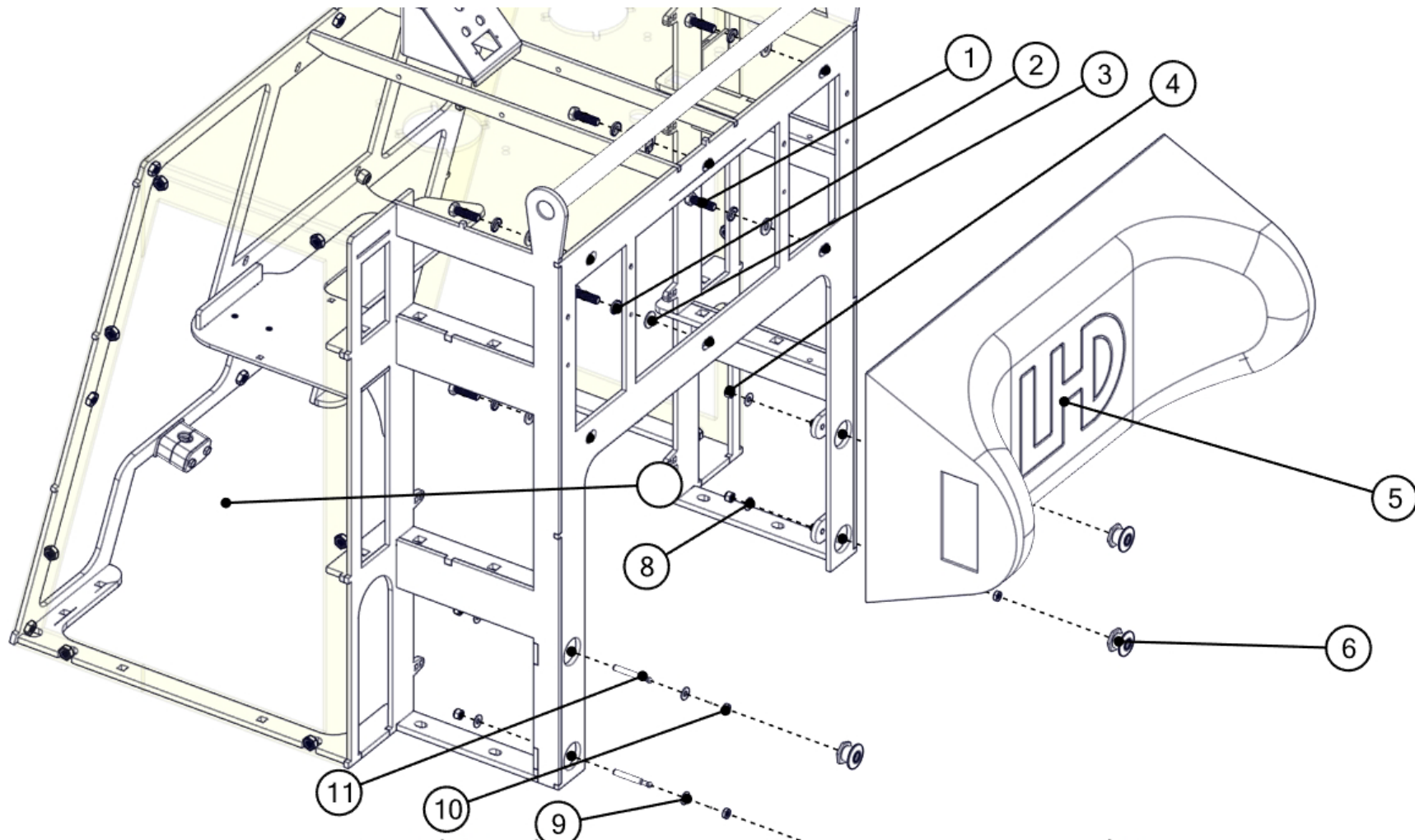
BOM ID	PartNo	Title	Qty
1	EVIZ381615	Elevator Bolts, 3/8"-16 Thread Size, 1-1/2" Long	7
2	LNIZ3816	3/8"-16 Nylock Nut - Gr. 5 - Zinc Plated	7
3	WISS38	Stainless Steel Washer for 3/8" Screw Size, 0.406" ID, 0.75" OD	7



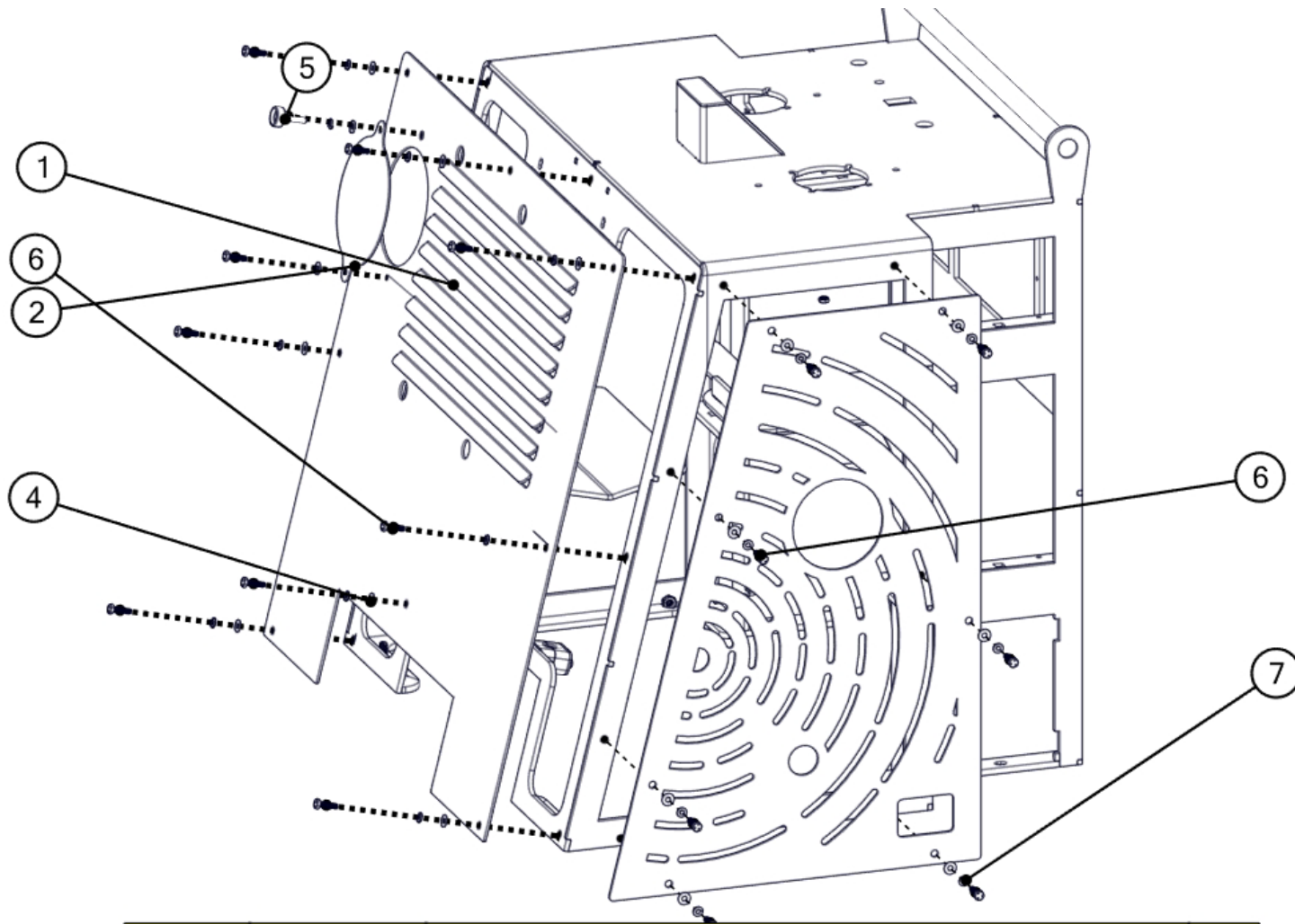
BOM ID	PartNo	Title	Qty
1	WIZ5	WASHER-FLAT-0.500-GR5-ZINC	2
2	KNMB3816	Flap Knob	2
3	WISS38	Stainless Steel Washer for 3/8" Screw Size, 0.406" ID, 0.75" OD	4
4	31359-1133m	Splash Gaurd Mount	1
5	LNIZ3816	3/8"-16 Nylock Nut - Gr. 5 - Zinc Plated	4
6	100-0-229	Splash Gaurd	1
7	EVIZ381615	Elevator Bolts, 3/8"-16 Thread Size, 1-1/2" Long	4
8	31355-0021m	Splash Gaurd Pin Assembly	2



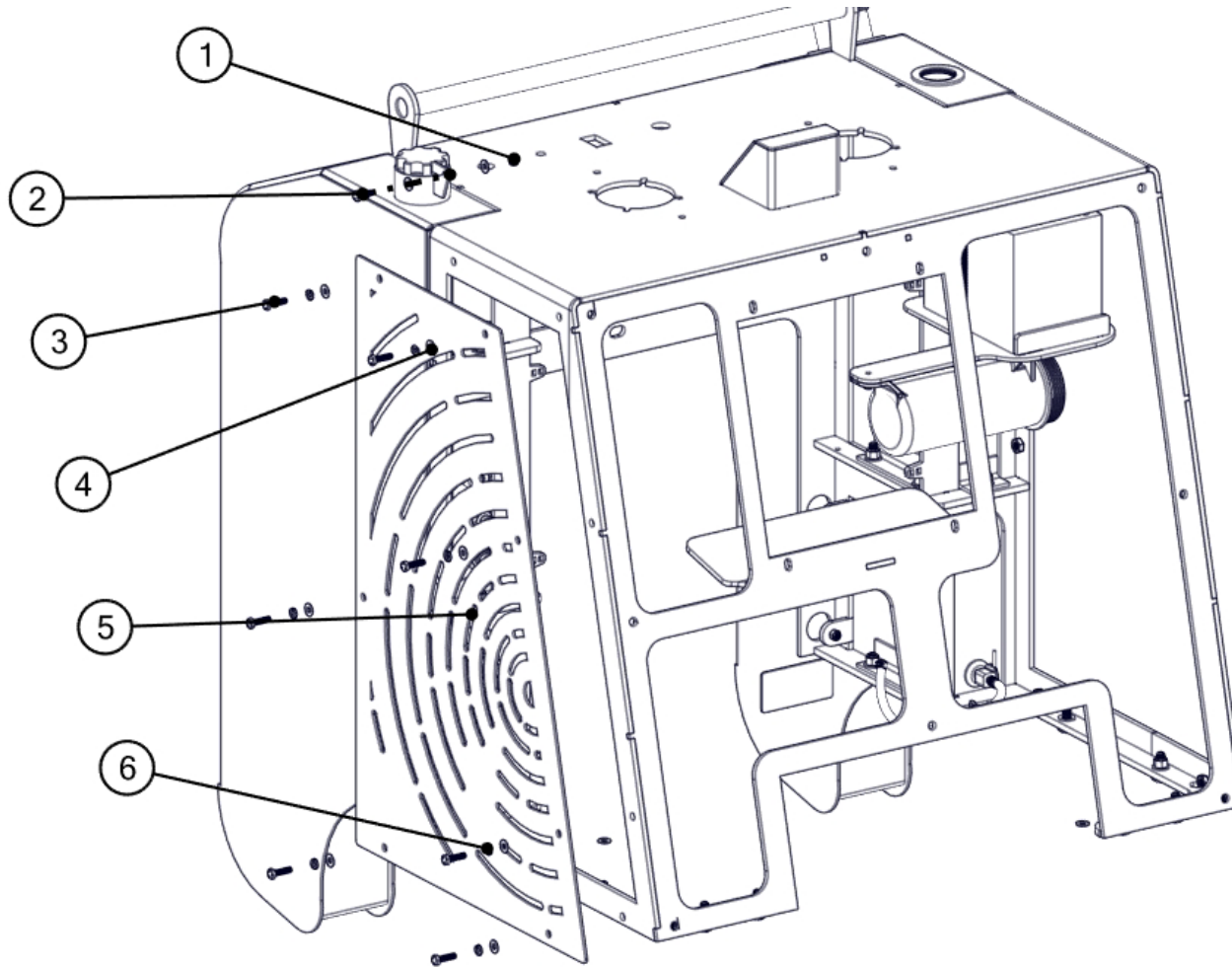
Fuse Box and Wire Harness



BOM ID	PartNo	Title	Qty
1	BIZ3816	HHCS 3/8"-16 x 1.25" Lg. - Gr. 5 - Zinc Plated	6
2	LWIZ38	Zinc-Plated Steel Split Lock Washer for 3/8" Screw Size, 0.385" ID, 0.68" OD	6
3	WISS38	Stainless Steel Washer for 3/8" Screw Size, 0.406" ID, 0.75" OD	6
4	LNIZ1420	1/4"-20 Nylock Nut - Gr. 5 - Zinc Plated	4
5	100-0-126	Operator Pad	1
6	100-0-254	Panel Quick Latch	4
8	WIZ14	1/4" SAE Flat Washer	6
9	WIZ14	1/4" SAE Flat Washer	2
10	NIZ1420	Thin Hex Nut, Grade 5, 1/4"-20 Thread Size	4
11	100-0-255	Panel Pin	4



BOM ID	PartNo	Title	Qty
1	LNIZ1420	1/4"-20 Nylock Nut - Gr. 5 - Zinc Plated	1
2	31355-1097	Check Oil Panel	1
4	WIZ14	1/4" SAE Flat Washer	17
5	102-0-46	Thumb Screw	1
6	BIZ14201	Hex Head Screw, Zinc-Plated, 1/4"-20 Thread Size, 1" Long	16
7	SWIZ25	.25 Zinc-Plated Steel Split Lock Washer	16



BOM ID	PartNo	Title	Qty
1	LNIZ1420	1/4"-20 Nylock Nut - Gr. 5 - Zinc Plated	1
2	BIZ142575	Hex Head Screw, Zinc-Plated, 1/4"-20 Thread Size, 3/4" Long	1
3	BIZ14201	Hex Head Screw, Zinc-Plated, 1/4"-20 Thread Size, 1" Long	7
4	WIZ14	1/4" SAE Flat Washer	9
5	31355-1119m	TB Right Panel	1
6	SWIZ25	.25 Zinc-Plated Steel Split Lock Washer	7