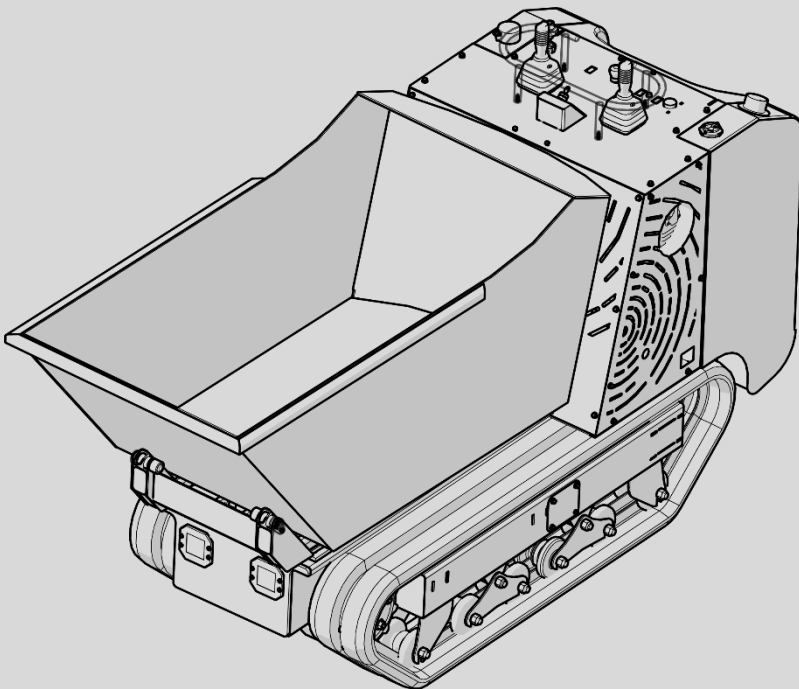




# 7000MB MEGABUGGY

## Parts Manual



**This manual should be kept on hand at all times so that it can be immediately referenced. It should be saved for the entire life of the machine.**

© 2024 - The entire or partial reproduction and/or divulging of this document is prohibited in any form without the written consent of the company. The editing of the text, the illustrations, and the paginations were completed by "LHD Machinery, LLC." The illustrations and technical data included in this manual are non binding; *the manufacturer reserves the right to carry out eventual changes to its machine without notice.*

**Ed. 2 – 11/19/24**

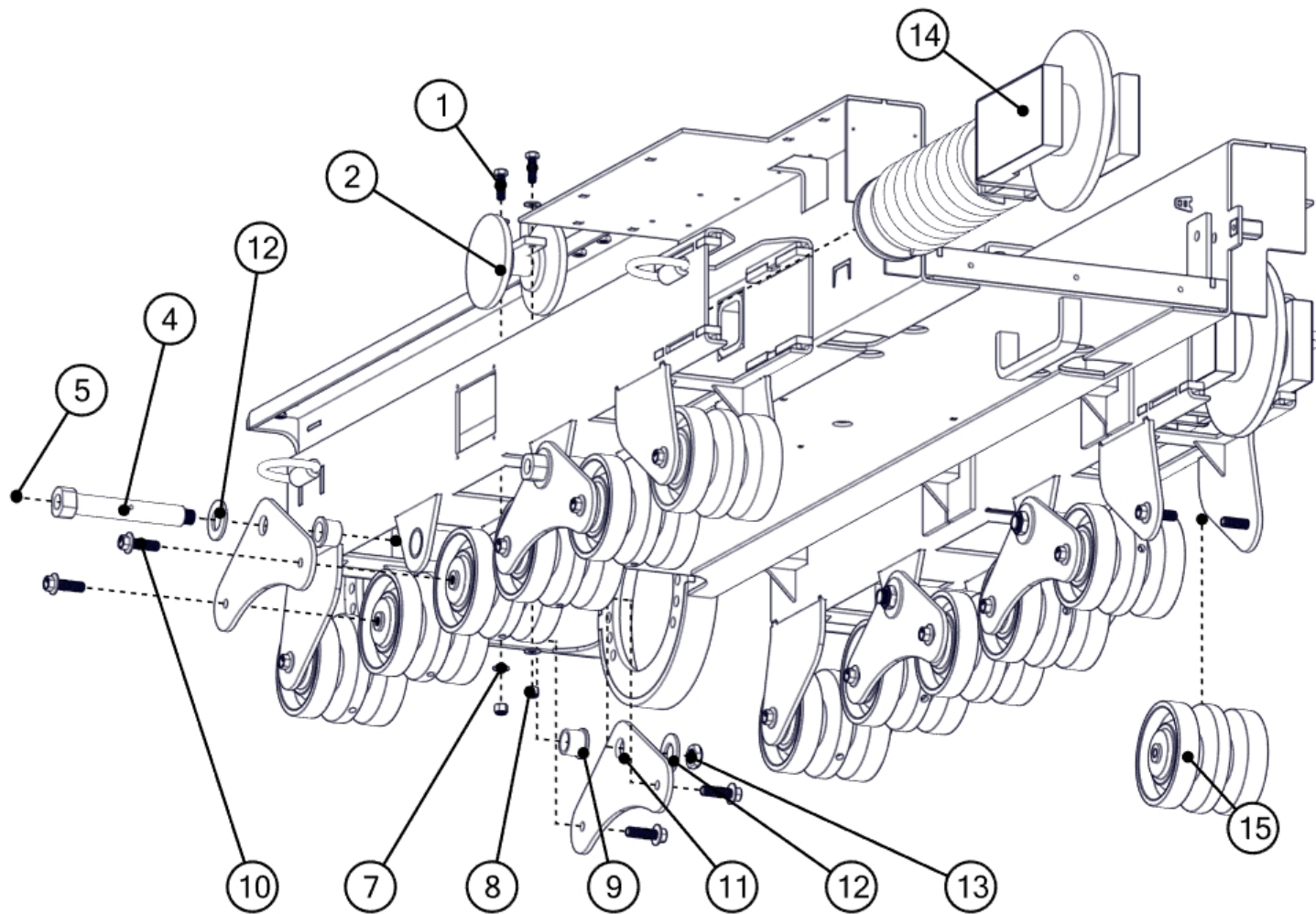
LHD Machinery, LLC  
1-888-LHD-7472  
LHDMachinery.com

Email / Faxes to:  
[info@lhdmachinery.com](mailto:info@lhdmachinery.com)

Find the latest edition of  
this Parts Manual at:  
[lhdmachinery.com/parts](http://lhdmachinery.com/parts)

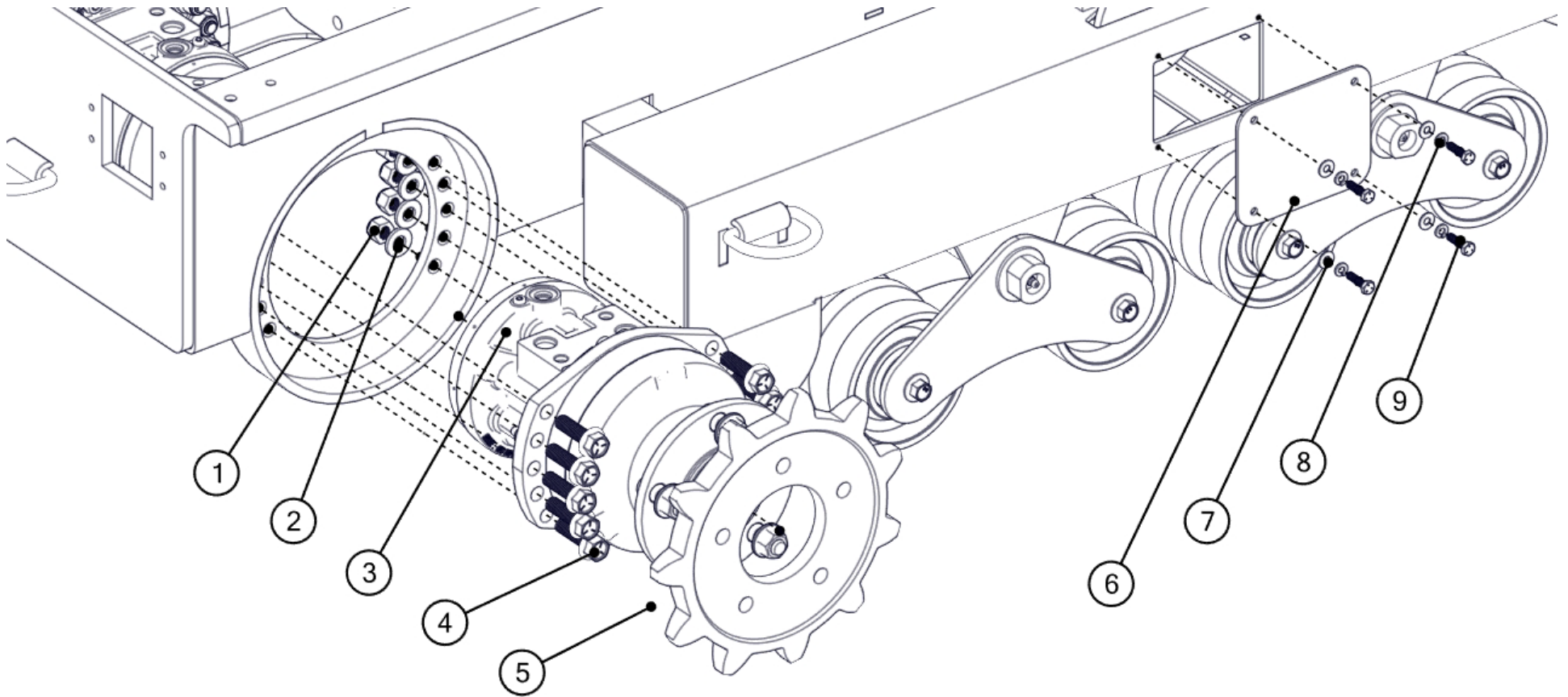
# Table of Contents

Undercarriage.....	1 - 2
Motor Fittings.....	3
Slew Drive .....	4
Standing Platform .....	5 - 6
Hand Pump.....	7
Auxiliary Coil.....	8
Engine.....	9
Pumps .....	10
Pump Fittings.....	11
Engine and Frame.....	12
Engine Housing.....	13
Cooler.....	14
Battery and Document Tube.....	15
Gas and Hydraulic Tank.....	16
Fuel Hose .....	17
Controls .....	18
Relay and Fuse Box.....	19
Oil Filter.....	20 - 21
Back Panel .....	22
Front and Left Panel.....	23
Right Panel .....	24
Pump Cover .....	24
Plates .....	26
Lights and Horn.....	27
Motor Cover.....	28
Tank Hoses.....	29
Motor Hoses.....	30
Hand Pump Hoses.....	31
Auxiliary Hoses.....	32
Cooler Hose .....	33
Drain Hoses .....	34
Slew Plate.....	35 - 36
Bucket.....	37
Dump Cylinder.....	38
Bucket Latch .....	39
Splash Guard.....	40

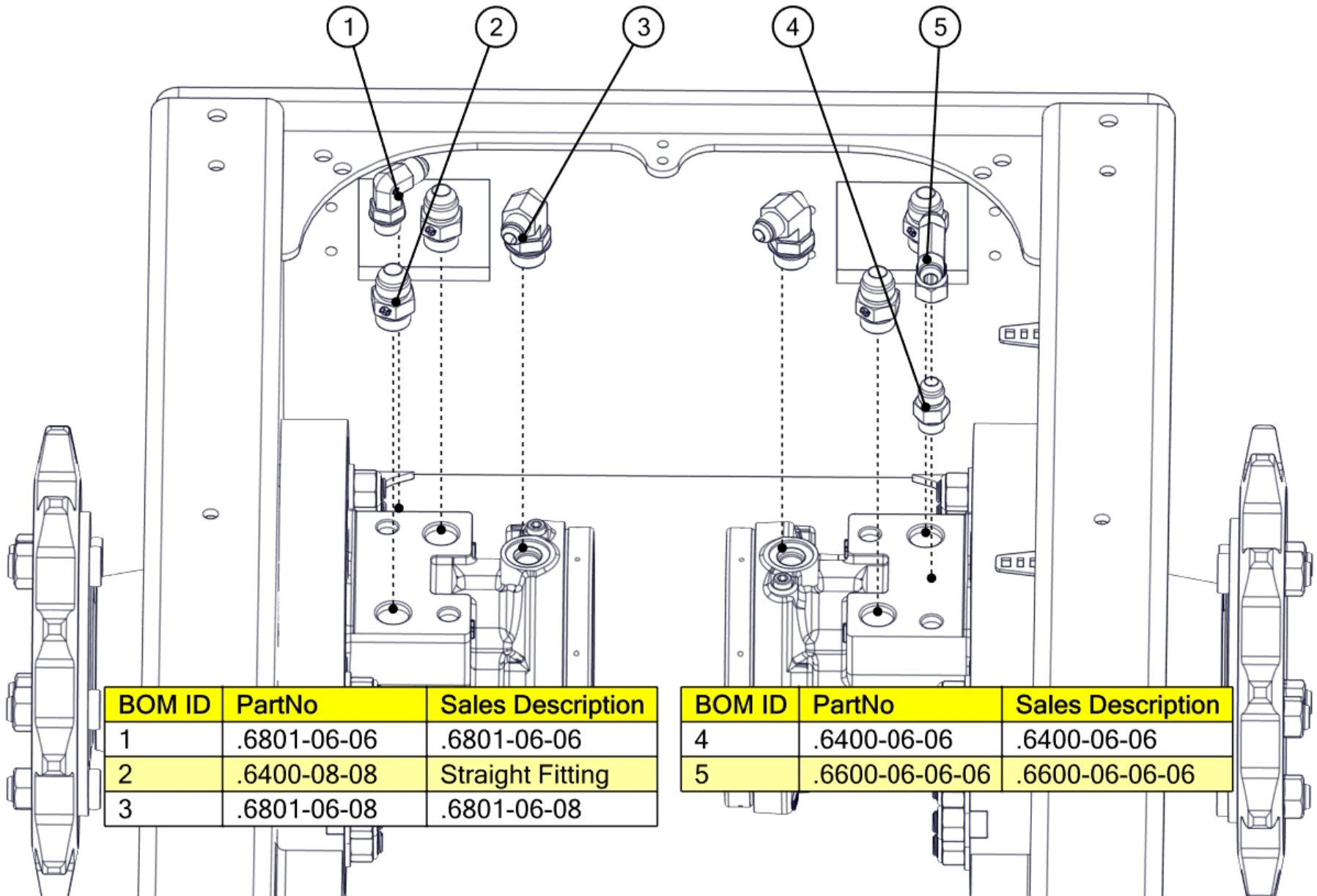


BOM ID	PartNo	Sales Description
1	BIZ3816	3/8"-16 HHCS x 1.25" Lg. - Gr. 5 - Zinc Plate
2	100-0-42	Top Track Roller
4	100-0-246	Track Pivot Shaft
5	GZIZ1428	1/4"-28 Straight Grease Zerk
7	WISS38	Stainless Steel Washer for 3/8" Screw Size, 0.406" ID, 0.75" OD
8	LNIZ3816	NUT-NYLOCK-.375-16GR5-ZINC
9	102-0-43	Track Pivot bushing

BOM ID	PartNo	Sales Description
10	FBMZ1217540	Flanged Hex Head, M12 x 1.75mm, 40mm Long
11	31355-1120	Roller Pivot Bracket
12	WIZ1	1" SAE Flat Washer - ZINC
13	NLJIZ3416	Hex Head Screw, Zinc-Plated, 3/8"-16 Thread Size, 7/8" Long
14	98-8-7	Track Tensioner
15	100-0-199	LHD Sealed Triple Roller



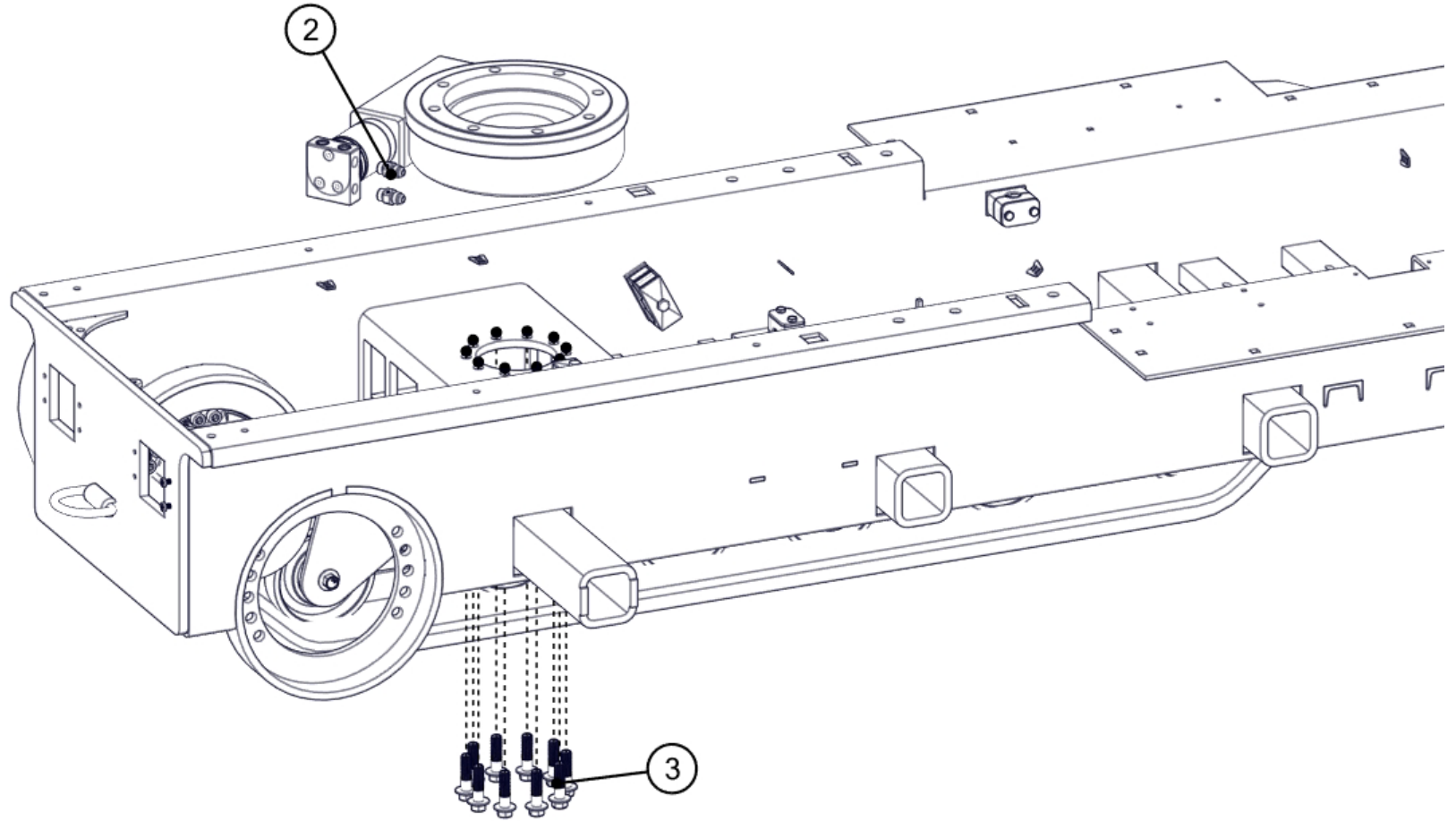
BOM ID	PartNo	Sales Description
1	LNIZ513	Nylon-Insert Locknut, Grade 5, Zinc-Plated, 1/2"-13 Thread Size
2	WIZ5	Zinc-Plated Steel SAE Washer for 1/2" Screw Size, 0.531" ID, 1.062" OD
3	100-0-25	MB Motor
4	FBIZ1213175	Flanged Hex Head Screws, Medium-Strength, 1/2"-13 Thread Size, 1-3/4" Long
5	100-0-69	HWTBSPRKET
6	31355-1094	Tensioner Access Plate
7	WIZ14	1/4" SAE Flat Washer
8	SWIZ25	.25 Zinc-Plated Steel Split Lock Washer
9	BIZ14201	Hex Head Screw, Zinc-Plated, 1/4"-20 Thread Size, 1" Lon



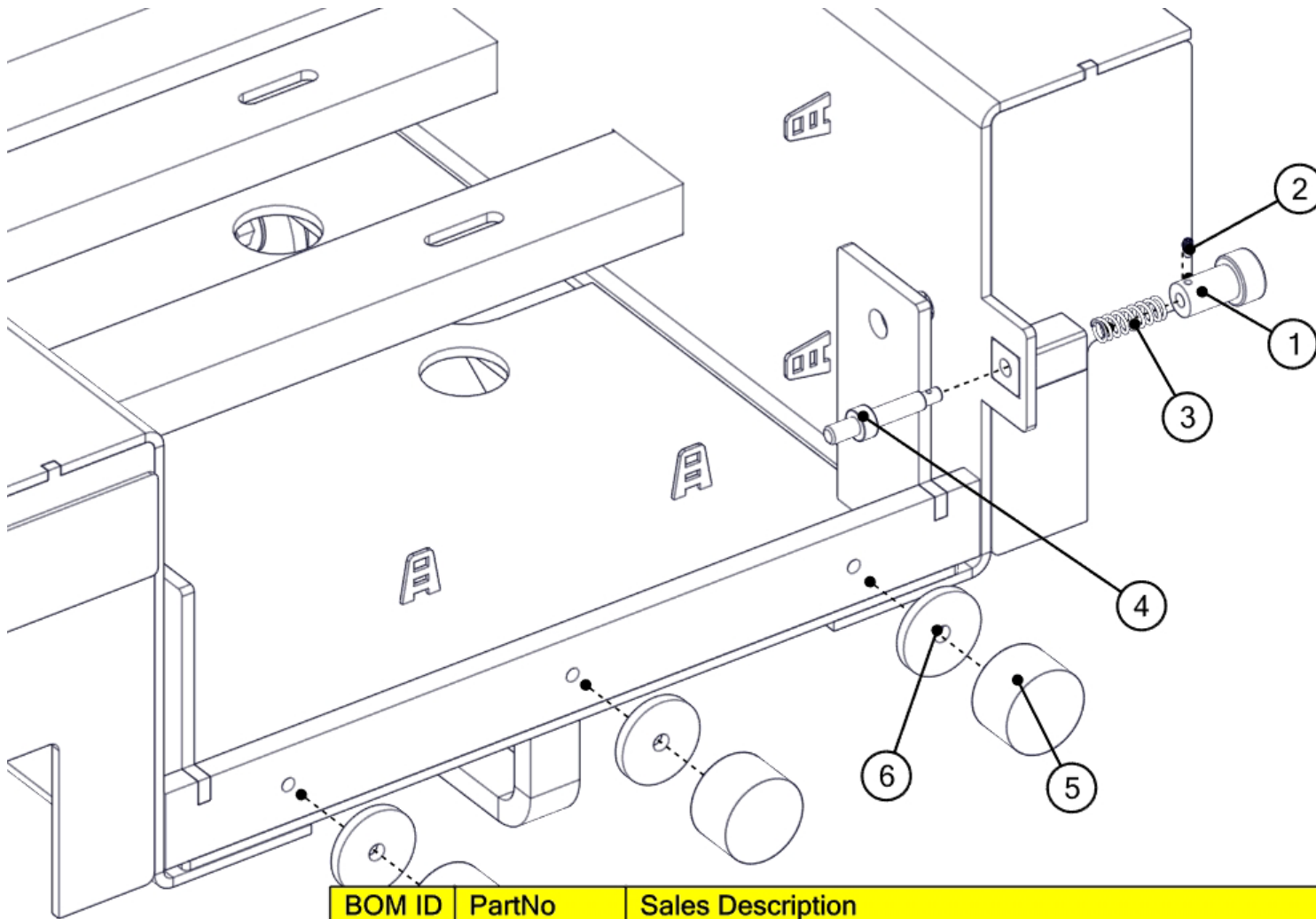
BOM ID	PartNo	Sales Description
1	.6801-06-06	.6801-06-06
2	.6400-08-08	Straight Fitting
3	.6801-06-08	.6801-06-08

BOM ID	PartNo	Sales Description
4	.6400-06-06	.6400-06-06
5	.6600-06-06-06	.6600-06-06-06

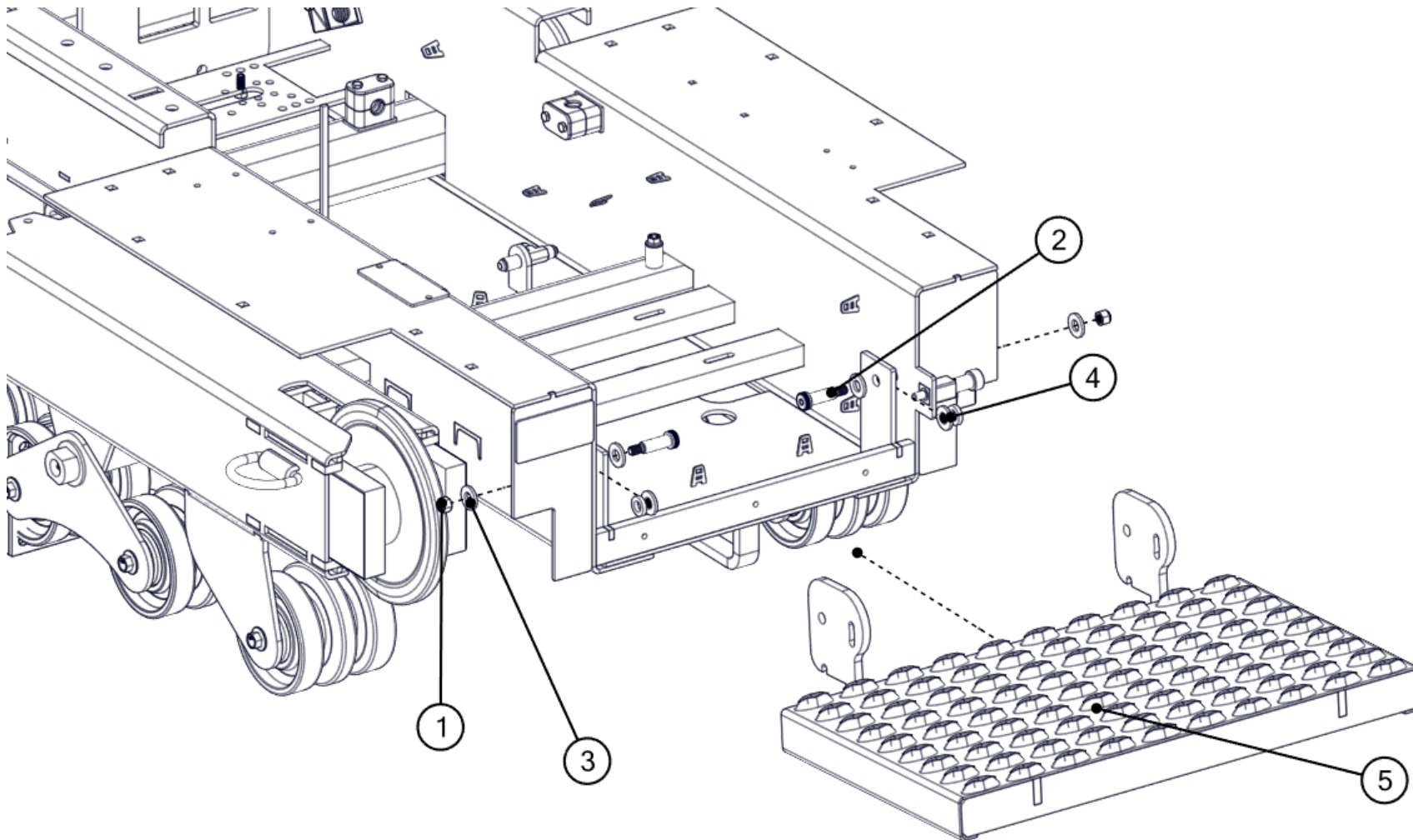
# Motor Fittings



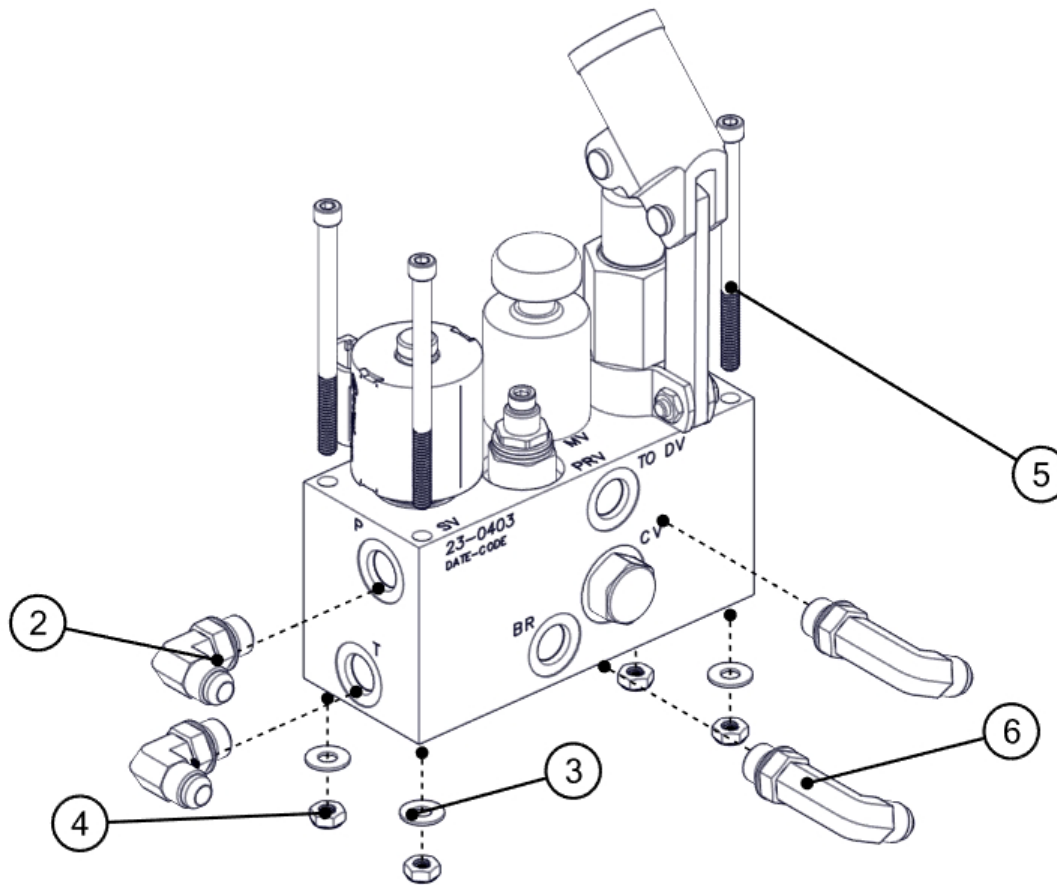
BOM ID	PartNo	Sales Description
2	.6400-06-06	.6400-06-06
3	FBMZ1217545	Flanged Hex Head Screw, Medium-Strength, Zinc Plated, M12 x 1.75 mm Thread, 45 mm Long



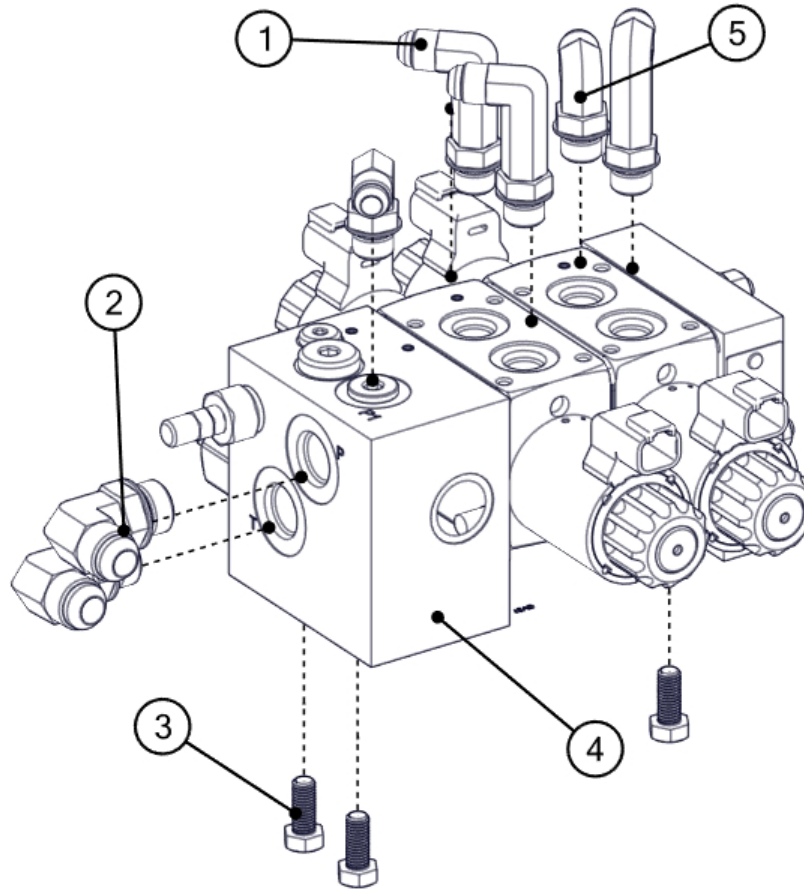
BOM ID	PartNo	Sales Description
1	100-0-224	Platform Knob
2	SSMSS407	Extended-Tip Set Screws, M4 x 0.7 mm Thread, 8 mm Long
3	SIZ1125	Platform Pin Spring
4	100-0-223	Platform Pin
5	102-0-45	Standing Platform Bumper
6	100-0-258	Bumper Spacer



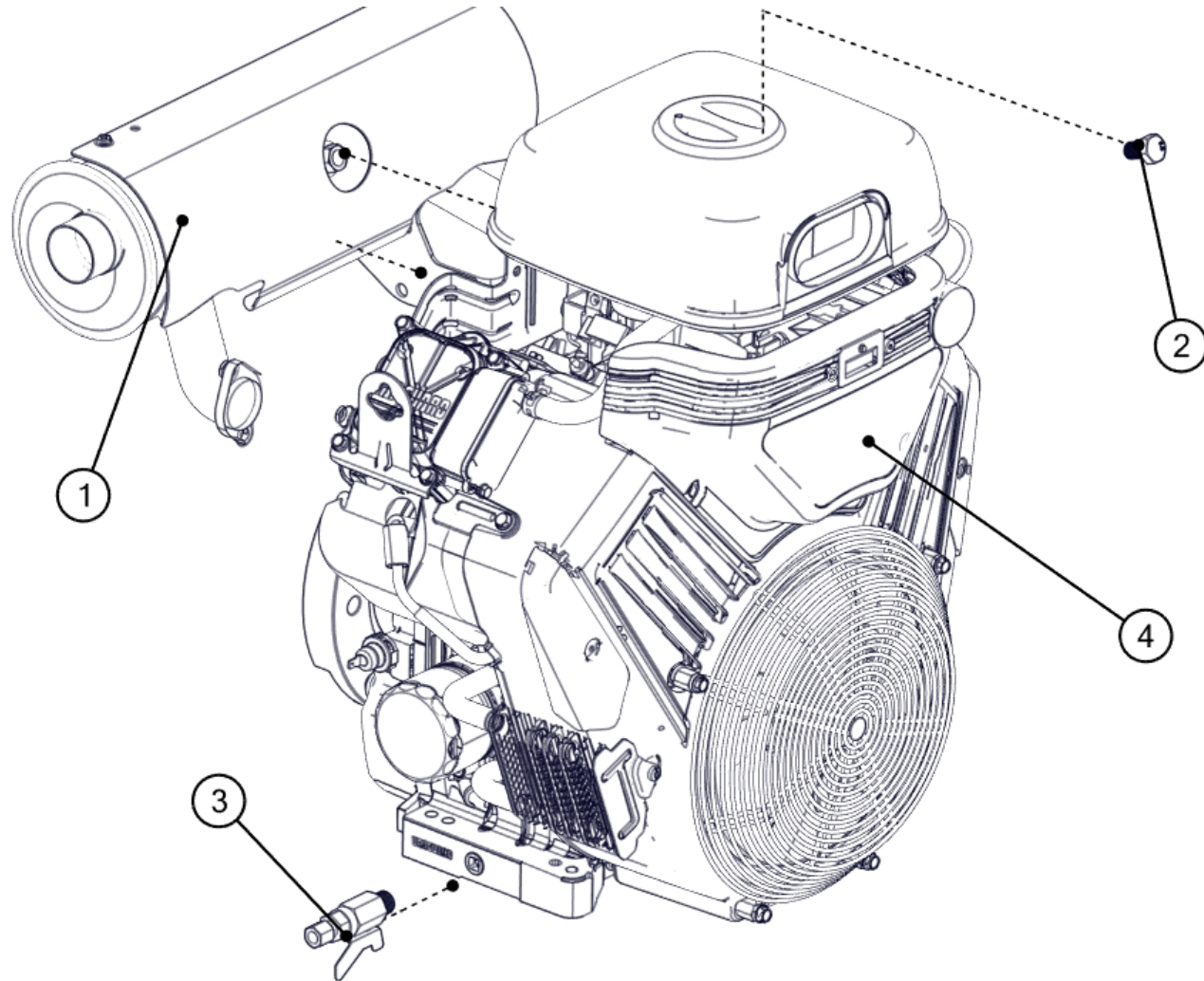
BOM ID	PartNo	Sales Description
1	LNIZ3816	NUT-NYLOCK-.375-16GR5-ZINC
2	SBIBP1213816	Shoulder Screw, 1/2" Shoulder Diameter, 1-3/8" Shoulder Length, 3/8"-16 Thread
3	WIZ5	Zinc-Plated Steel SAE Washer for 1/2" Screw Size, 0.531" ID, 1.062" OD
4	BSIO1278316	High-Load Oil-Embedded Thrust Bearing for 1/2" Shaft Diameter, 7/8" OD, 3/16" Thick
5	31355-0012m	TB Standing Platform Assembly



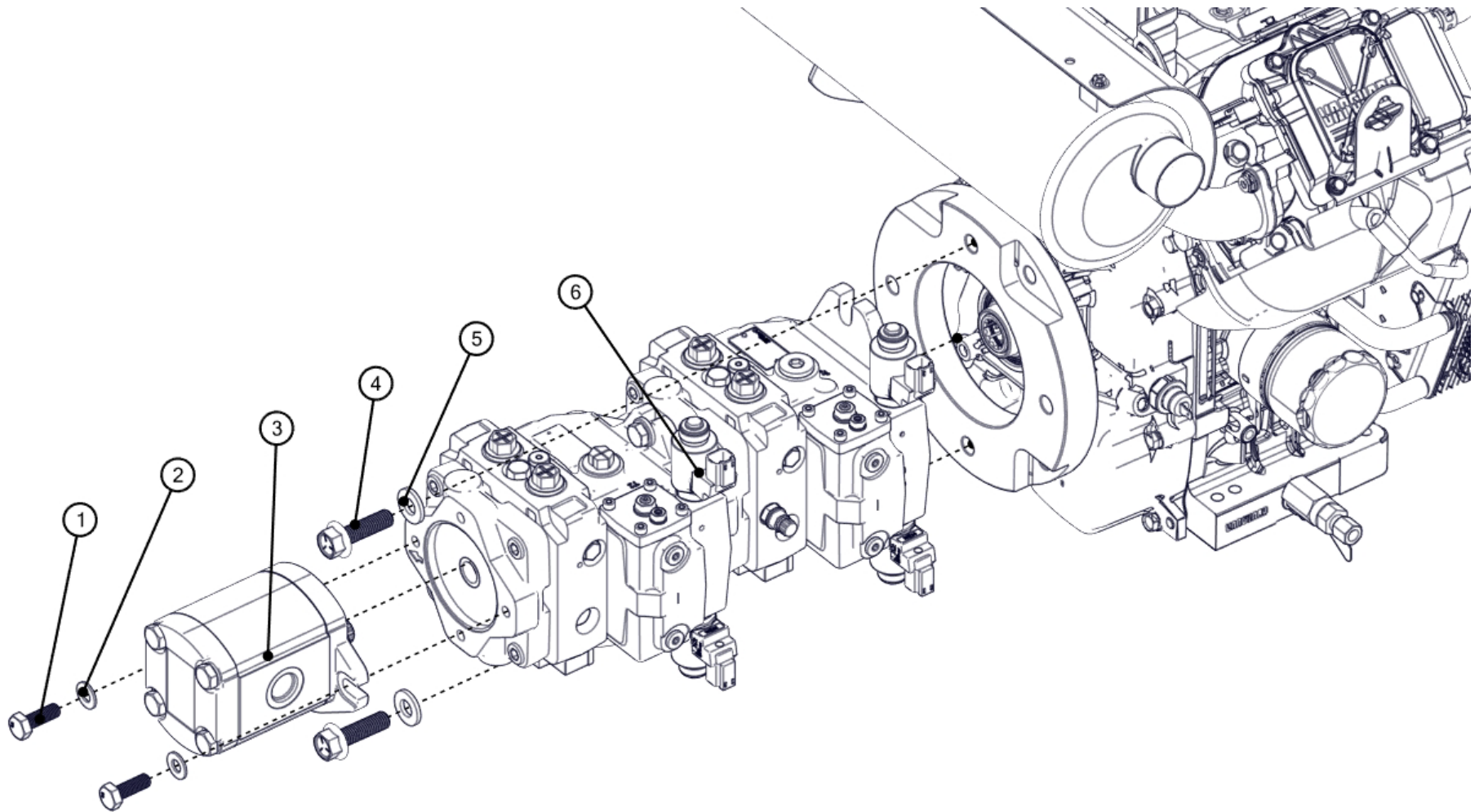
BOM ID	PartNo	Sales Description
2	.6801-06-06	.6801-06-06
3	WIZ14	1/4" SAE Flat Washer
4	NLJ11420	Thin Nylon-Insert Locknut, Zinc-Plated, 1/4"-20 Thread Size
5	SHIZ1420334	Socket Head Screw 1/4"-20 Thread Size, 3-3/4" Long
6	.6801-LL-06-06	.6801-LL-06-06



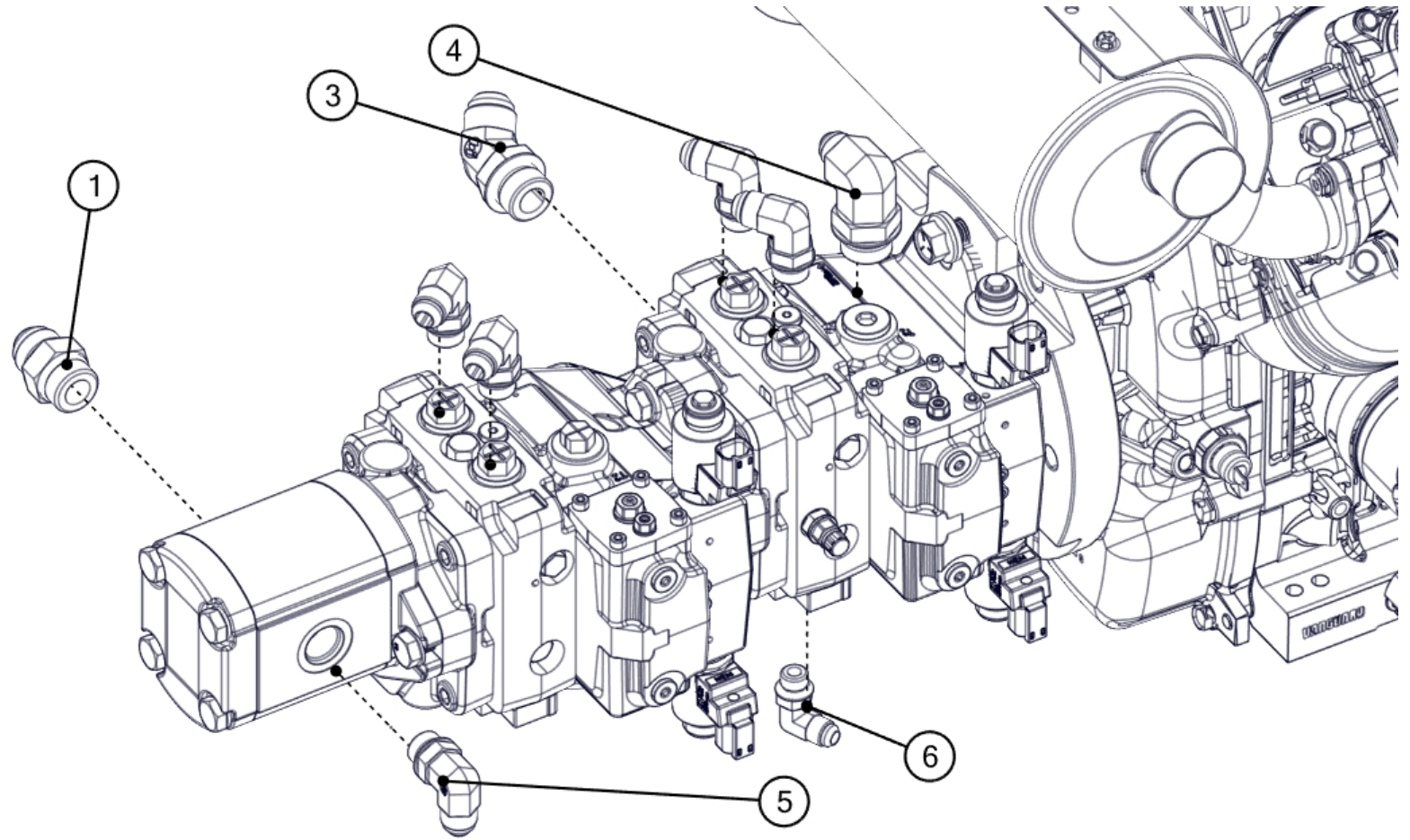
BOM ID	PartNo	Sales Description
1	.6801-LL-06-06	.6801-LL-06-06
2	.6801-08-08	.6801-08-08
3	BMS812520	Steel Hex Head Screw M8 x 1.25 mm Thread, 20 mm Long
4	100-0-247	2 Bank Prop Coil
5	.6801-06-06	.6801-06-06



BOM ID	PartNo	Sales Description
1	100-0-256	MB Muffler
2	BM12125	Steel Hex Head Screw, M12 x 1.25 mm Thread, 20 mm Long
3	100-0-108	Oil Drain Hose
4	100-0-197	MB Engine

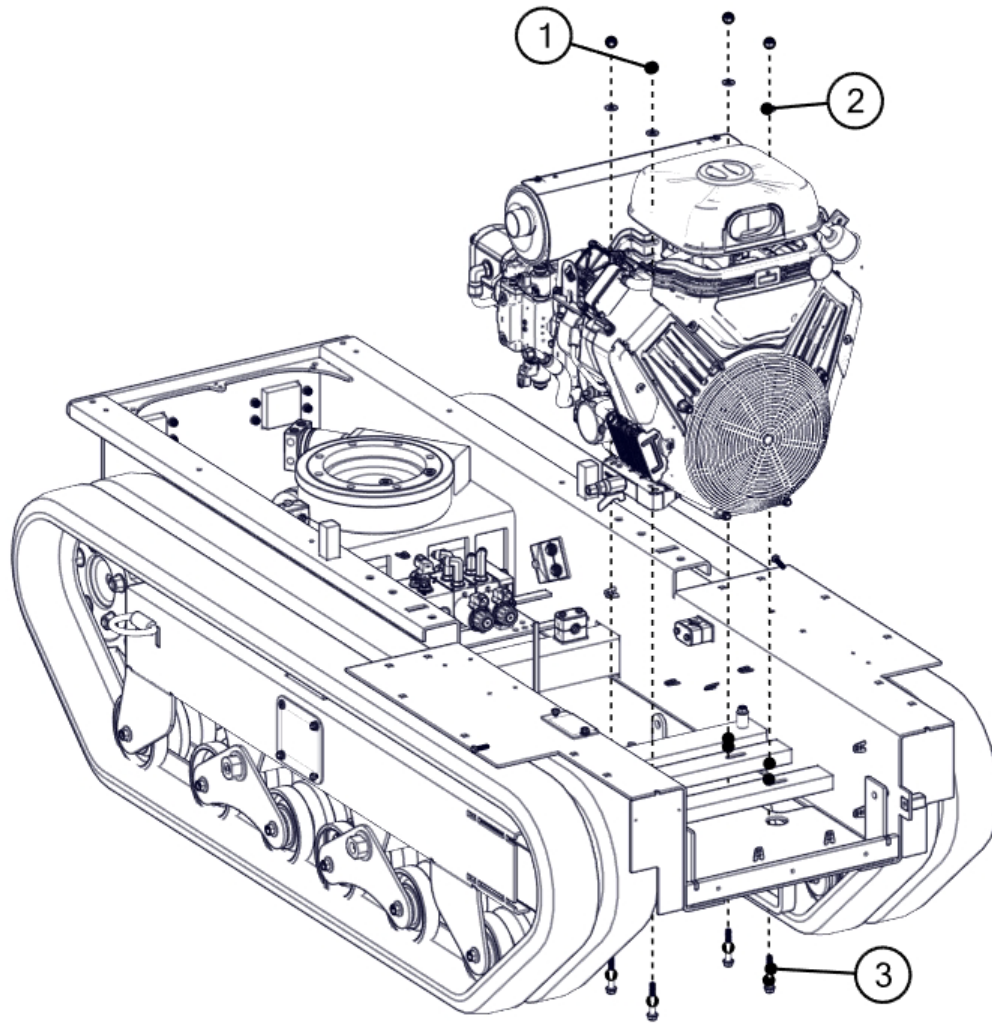


BOM ID	PartNo	Sales Description
1	BZM1015	Medium-Strength Class 8.8 Steel Hex Head Screw M10 x 1.50 mm Thread, 30 mm Long
2	WISS38	Stainless Steel Washer for 3/8" Screw Size, 0.406" ID, 0.75" OD
3	100-0-21	Aux Pump
4	FBIZ1213175	Flanged Hex Head Screws, Medium-Strength, 1/2"-13 Thread Size, 1-3/4" Long
5	WIZ5	Zinc-Plated Steel SAE Washer for 1/2" Screw Size, 0.531" ID, 1.062" OD
6	100-0-251	MB E Tandem Pump

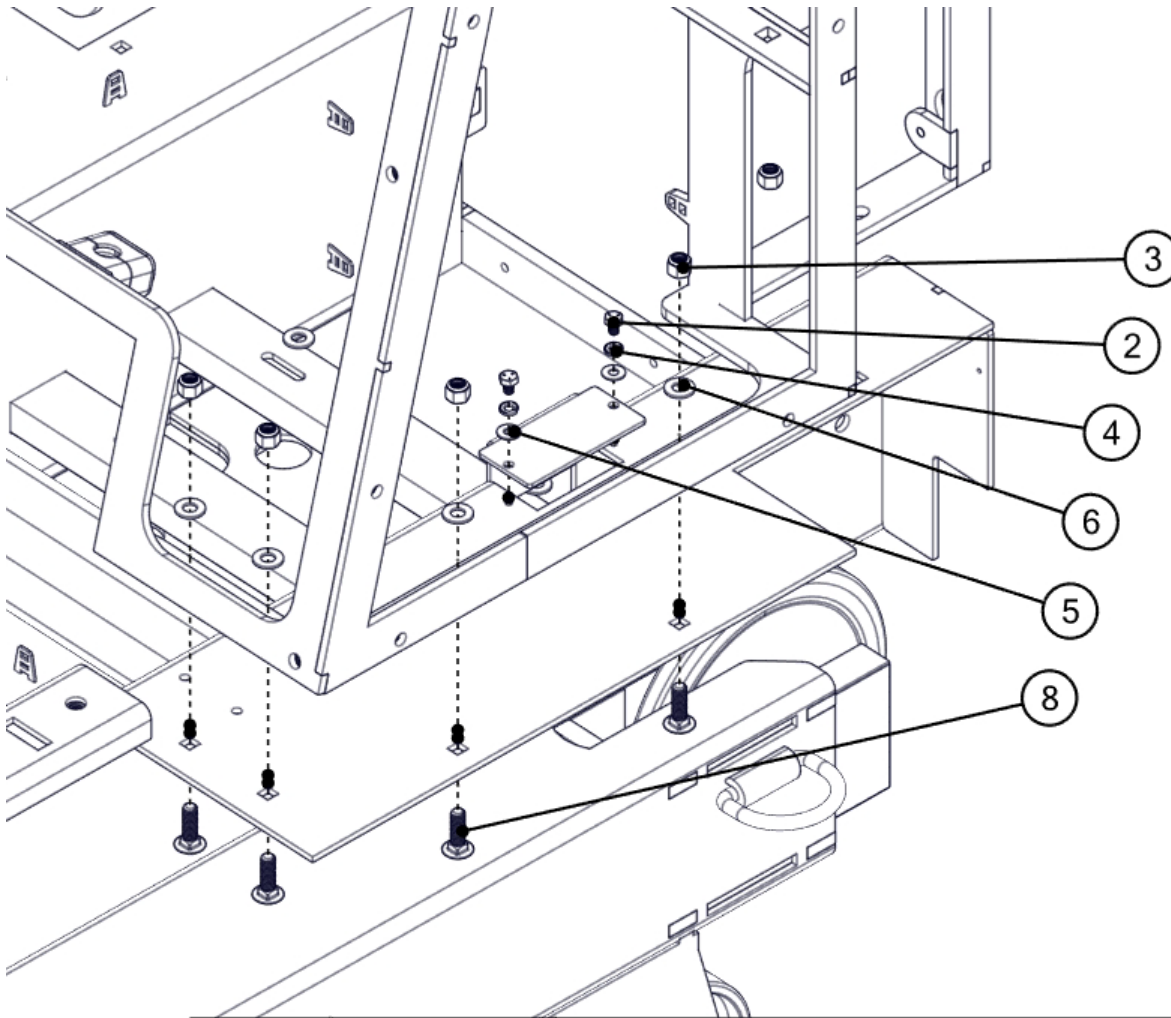


BOM ID	PartNo	Sales Description
1	.6400-12-12	.6400-12-12
3	.6802-12-12	.6802-12-12
4	.6801-08-12	90 Fitting

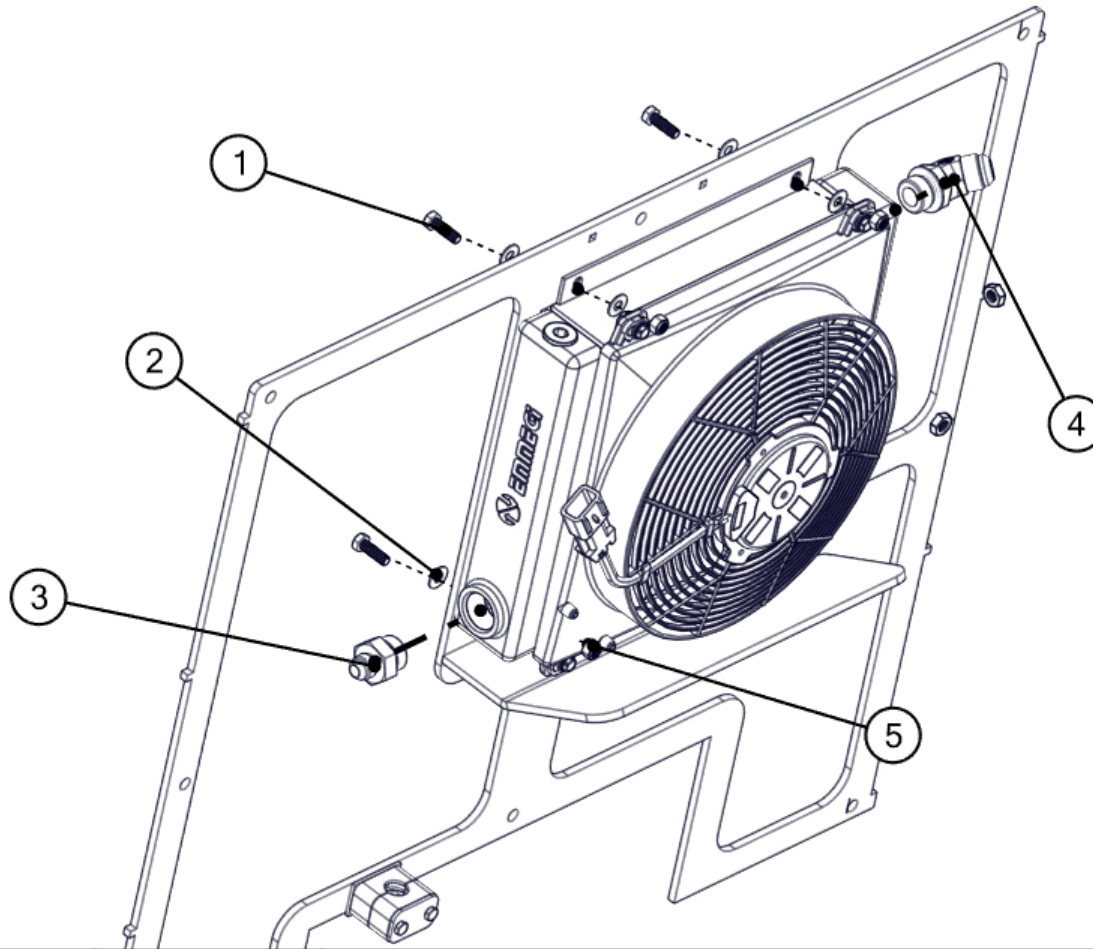
BOM ID	PartNo	Sales Description
5	.6801-08-08	.6801-08-08
6	.6801-06-06	.6801-06-06



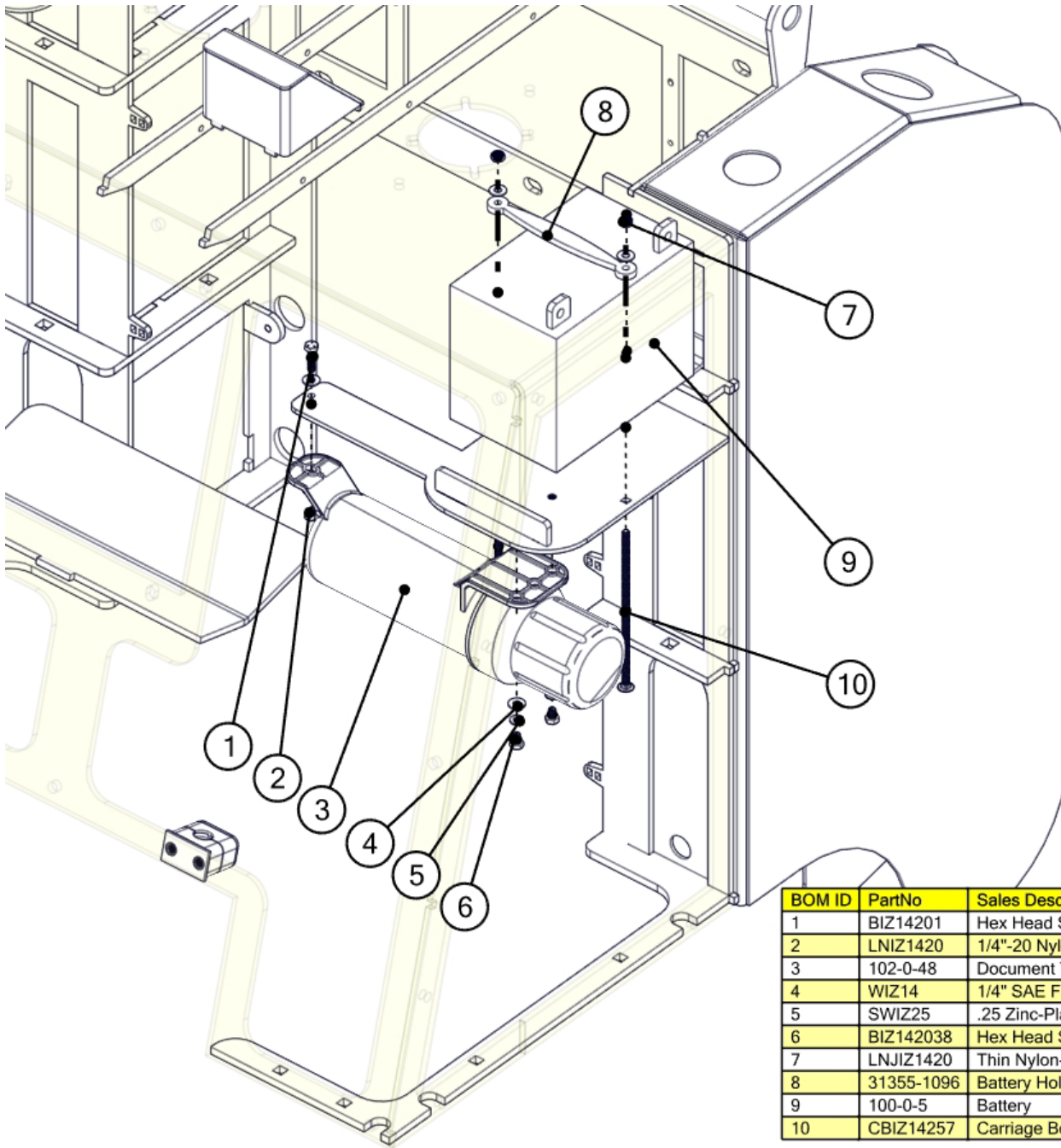
BOM ID	PartNo	Sales Description
1	LNIZ51618	5/16"-18 Nylock Nut - Gr. 5 - Zinc Plated
2	WISS38	Stainless Steel Washer for 3/8" Screw Size, 0.406" ID, 0.75" OD
3	FBIB516225	Black-Phosphate Grade 8 Steel Screws, Flanged Hex Head, 5/16"-18 Thread Size, 2-1/4" Long



BOM ID	PartNo	Sales Description
2	BIZ142038	Hex Head Screw, Zinc-Plated, 1/4"-20 Thread Size, 3/8" Long
3	LNIZ3816	NUT-NYLOCK-.375-16GR5-ZINC
4	SWIZ25	.25 Zinc-Plated Steel Split Lock Washer
5	WIZ14	1/4" SAE Flat Washer
6	WISS38	Stainless Steel Washer for 3/8" Screw Size, 0.406" ID, 0.75" OD
8	CBIZ7381614	Square-Neck Carriage Bolt, Medium-Strength, Zinc-Plated, 3/8"-16 Thread Size, 1-1/4" Long



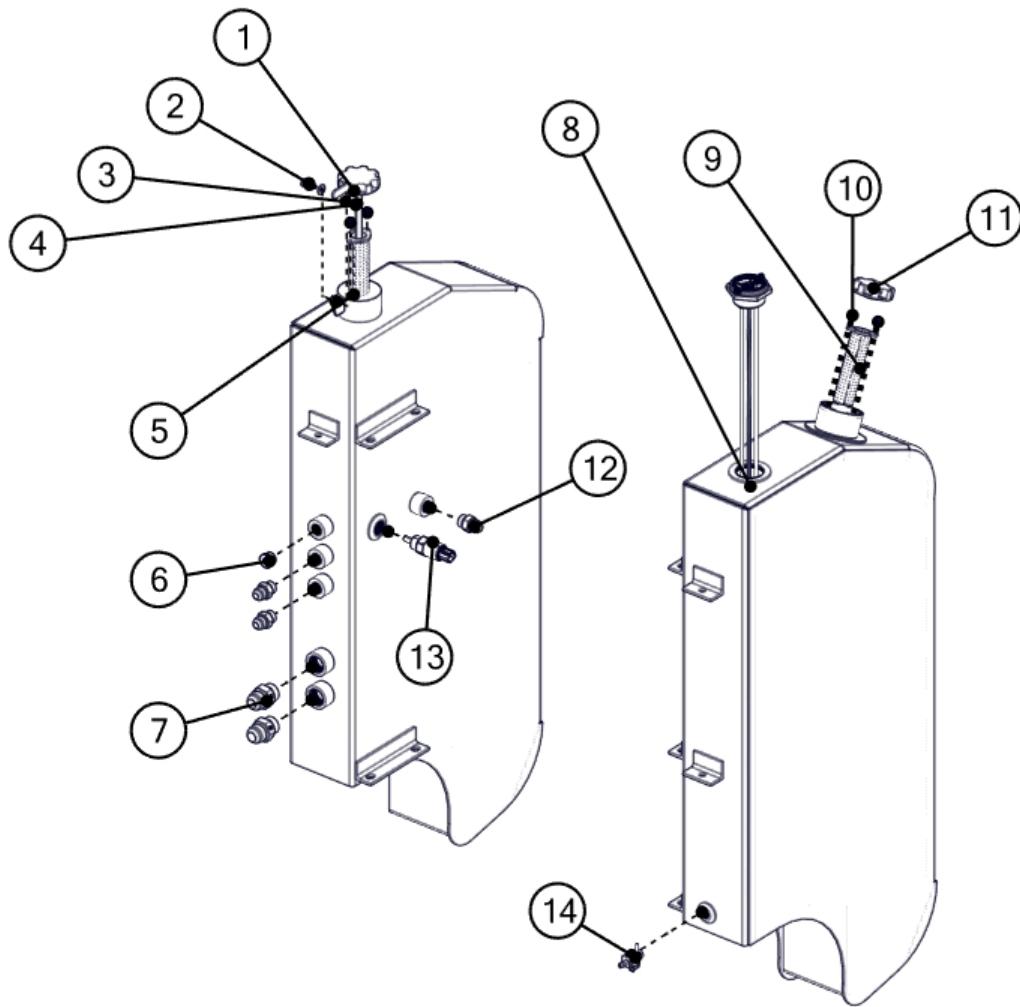
BOM ID	PartNo	Sales Description
1	BIZ516181	Hex Head Screw, Zinc-Plated, 5/16"-18 Thread Size, 1" Long
2	WIZ516	5/16" SAE Flat Washer
3	.6400-08-12	.6400-08-12
4	.9058-12-08	.9058-12-08
5	LNIZ51618	5/16"-18 Nylock Nut - Gr. 5 - Zinc Plated



BOM ID	PartNo	Sales Description
1	BIZ14201	Hex Head Screw, Zinc-Plated, 1/4"-20 Thread Size, 1" Lon
2	LNIZ1420	1/4"-20 Nylock Nut - Gr. 5 - Zinc Plated
3	102-0-48	Document Tube
4	WIZ14	1/4" SAE Flat Washer
5	SWIZ25	.25 Zinc-Plated Steel Split Lock Washer
6	BIZ142038	Hex Head Screw, Zinc-Plated, 1/4"-20 Thread Size, 3/8" Long
7	LNJIZ1420	Thin Nylon-Insert Locknut, Zinc-Plated, 1/4"-20 Thread Size
8	31355-1096	Battery Hold Down
9	100-0-5	Battery
10	CBIZ14257	Carriage Bolt, Medium-Strength, Zinc-Plated, 1/4"-20 Thread Size, 7" Long

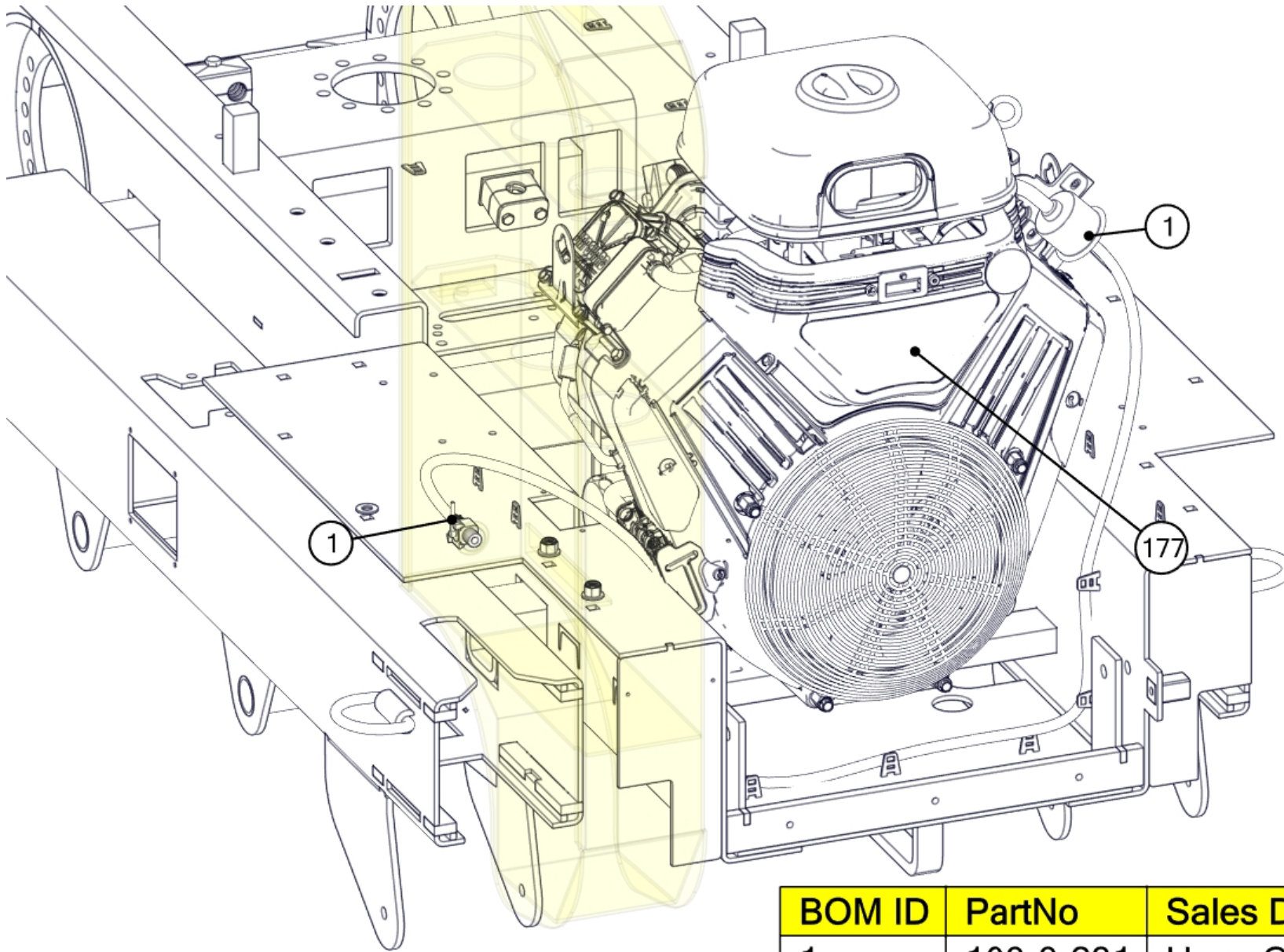
## Battery and Document Tube

Order Parts at [lhdmachinery.com/parts](http://lhdmachinery.com/parts)

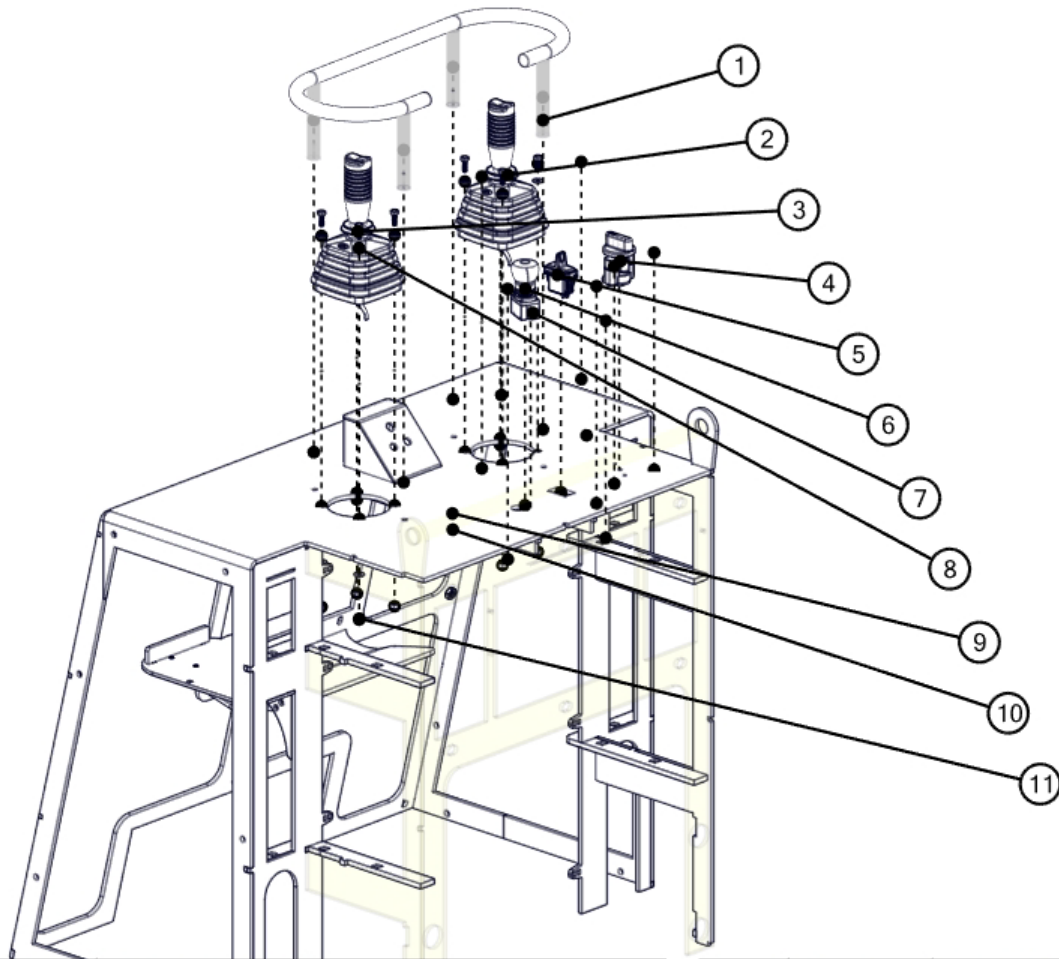


BOM ID	PartNo	Sales Description
1	100-0-242	Hydraulic Cap
2	BIZ142575	Hex Head Screw, Zinc-Plated, 1/4"-20 Thread Size, 3/4" Long
3	WIZ14	1/4" SAE Flat Washer
4	LNIZ1420	1/4"-20 Nylock Nut - Gr. 5 - Zinc Plated
5	100-0-243	Hydraulic Strainer
6	.6408-H08	.6408-H08
7	.6400-12-12	.6400-12-12
8	100-0-59	TB Fuel Gauge

BOM ID	PartNo	Sales Description
9	100-0-244	Fuel Strainer
10	SIZ632375	Zinc-Plated Steel Hex Head Screws, 6-32 Thread Size, 3/8" Long
11	100-0-241	Fuel Cap
12	.6400-08-08	Straight Fitting
13	100-0-236	Cooler Temp Switch
14	100-0-78	Fuel Valve

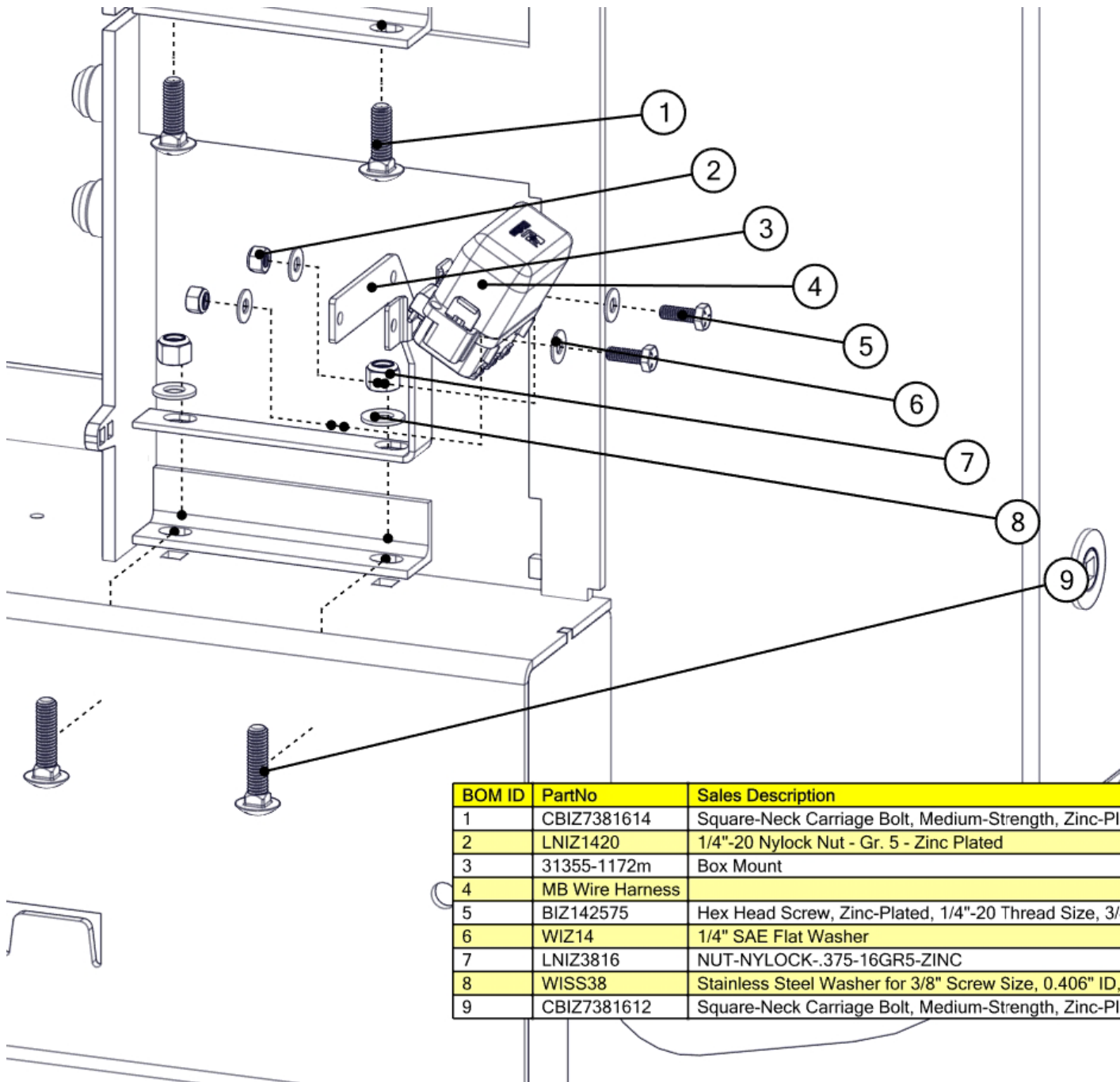


BOM ID	PartNo	Sales Description
1	100-0-231	Hose Clamp
177	100-0-197	MB Engine



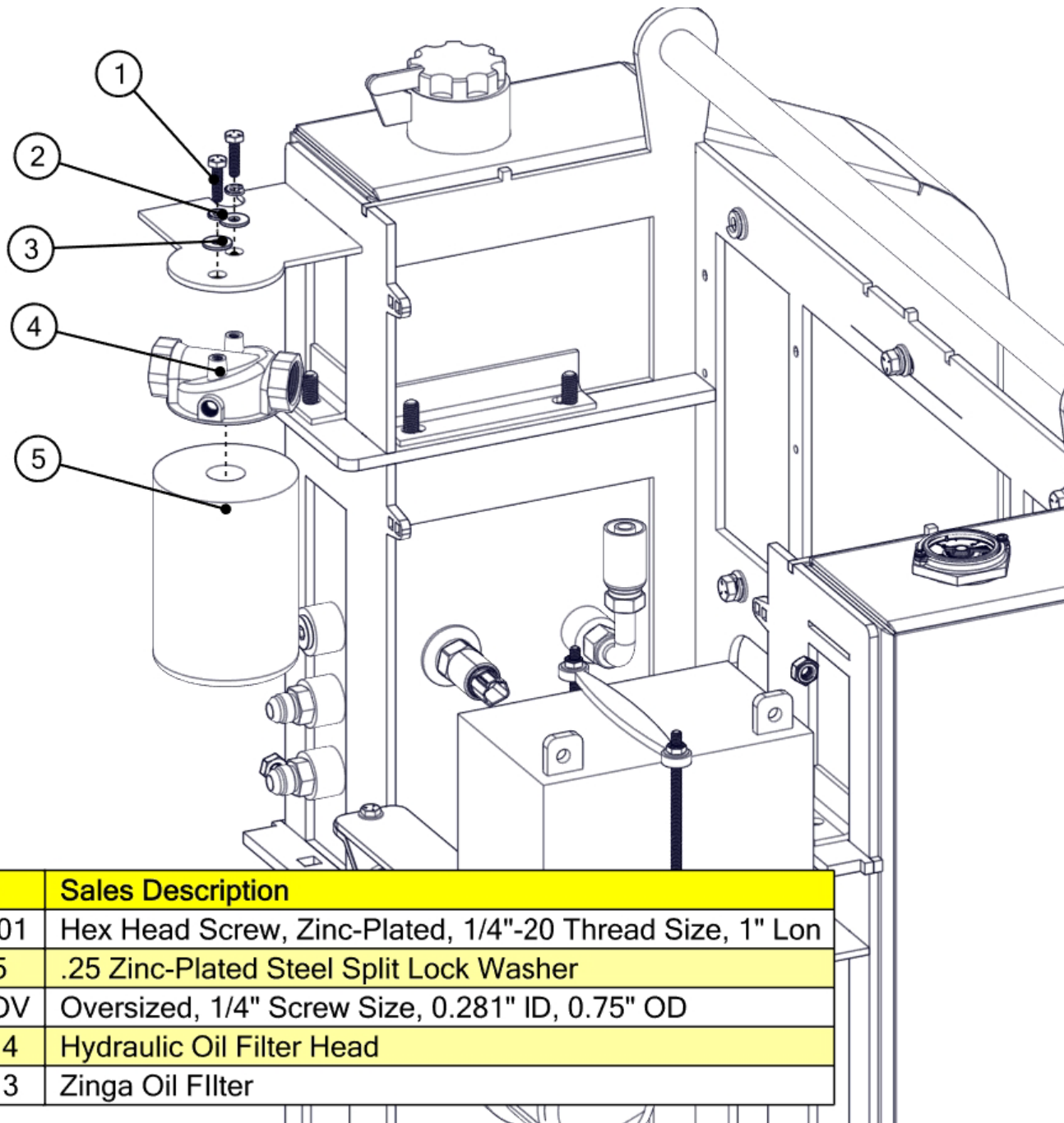
BOM ID	PartNo	Sales Description
1	31355-0017m	Grab Handle Assembly
2	100-0-22	TB Electric Joystick
3	BIZ142575	Hex Head Screw, Zinc-Plated, 1/4"-20 Thread Size, 3/4" Long
4	100-0-206	Throttle Pot Switch
5	100-0-204	On/Off Switch
6	100-0-32	Emergency Stop Switch

BOM ID	PartNo	Sales Description
7	100-0-235	Red Contact Block
8	WIZ14	1/4" SAE Flat Washer
9	SWIZ25	.25 Zinc-Plated Steel Split Lock Washer
10	BIZ14201	Hex Head Screw, Zinc-Plated, 1/4"-20 Thread Size, 1" Lon
11	LNIZ1420	1/4"-20 Nylock Nut - Gr. 5 - Zinc Plated

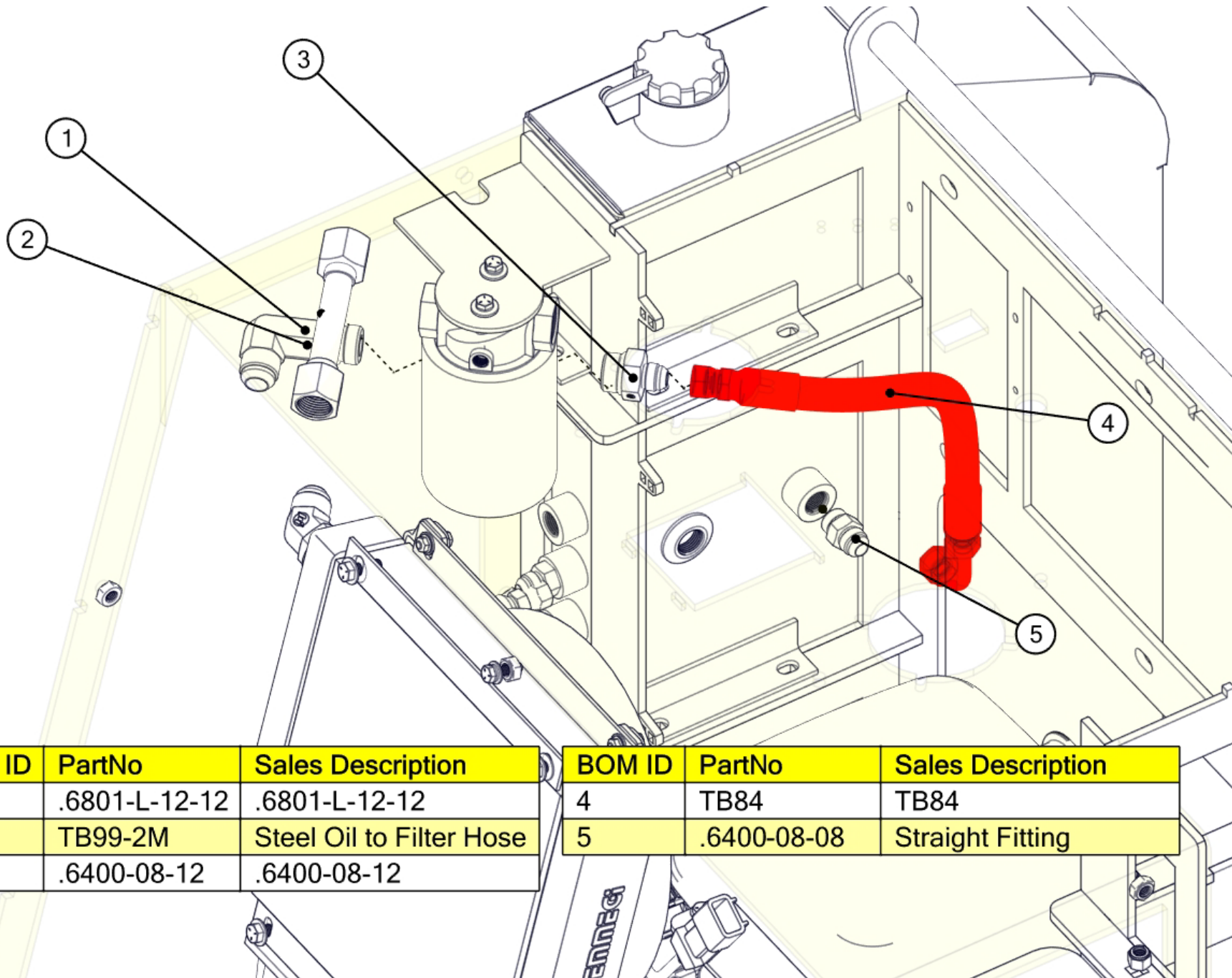


BOM ID	PartNo	Sales Description
1	CBIZ7381614	Square-Neck Carriage Bolt, Medium-Strength, Zinc-Plated, 3/8"-16 Thread Size, 1-1/4" Long
2	LNIZ1420	1/4"-20 Nylock Nut - Gr. 5 - Zinc Plated
3	31355-1172m	Box Mount
4	MB Wire Harness	
5	BIZ142575	Hex Head Screw, Zinc-Plated, 1/4"-20 Thread Size, 3/4" Long
6	WIZ14	1/4" SAE Flat Washer
7	LNIZ3816	NUT-NYLOCK-.375-16GR5-ZINC
8	WISS38	Stainless Steel Washer for 3/8" Screw Size, 0.406" ID, 0.75" OD
9	CBIZ7381612	Square-Neck Carriage Bolt, Medium-Strength, Zinc-Plated, 3/8"-16 Thread Size, 1-1/2" Long

## Relay and Fuse Box

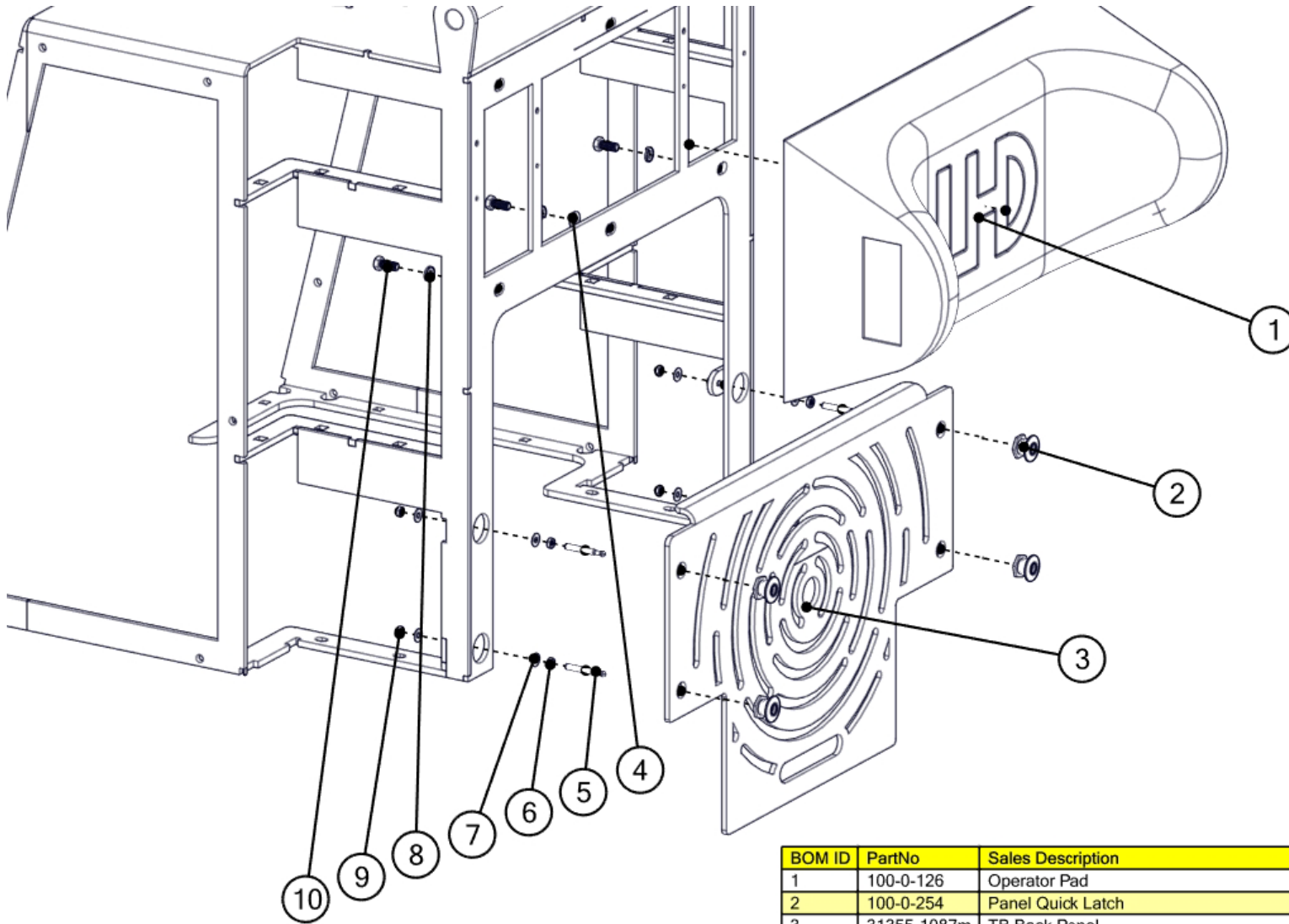


BOM ID	PartNo	Sales Description
1	BIZ14201	Hex Head Screw, Zinc-Plated, 1/4"-20 Thread Size, 1" Lon
2	SWIZ25	.25 Zinc-Plated Steel Split Lock Washer
3	WIZ14OV	Oversized, 1/4" Screw Size, 0.281" ID, 0.75" OD
4	100-0-14	Hydraulic Oil Filter Head
5	100-0-13	Zinga Oil Filter

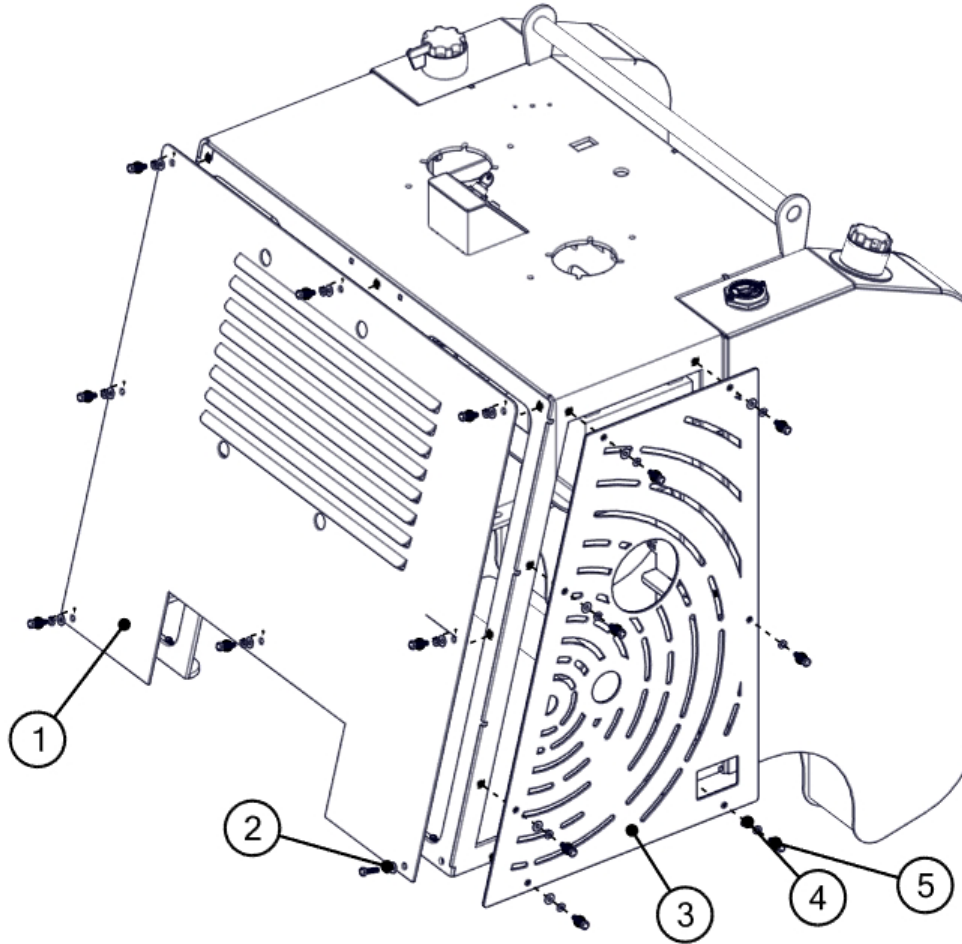


BOM ID	PartNo	Sales Description
1	.6801-L-12-12	.6801-L-12-12
2	TB99-2M	Steel Oil to Filter Hose
3	.6400-08-12	.6400-08-12

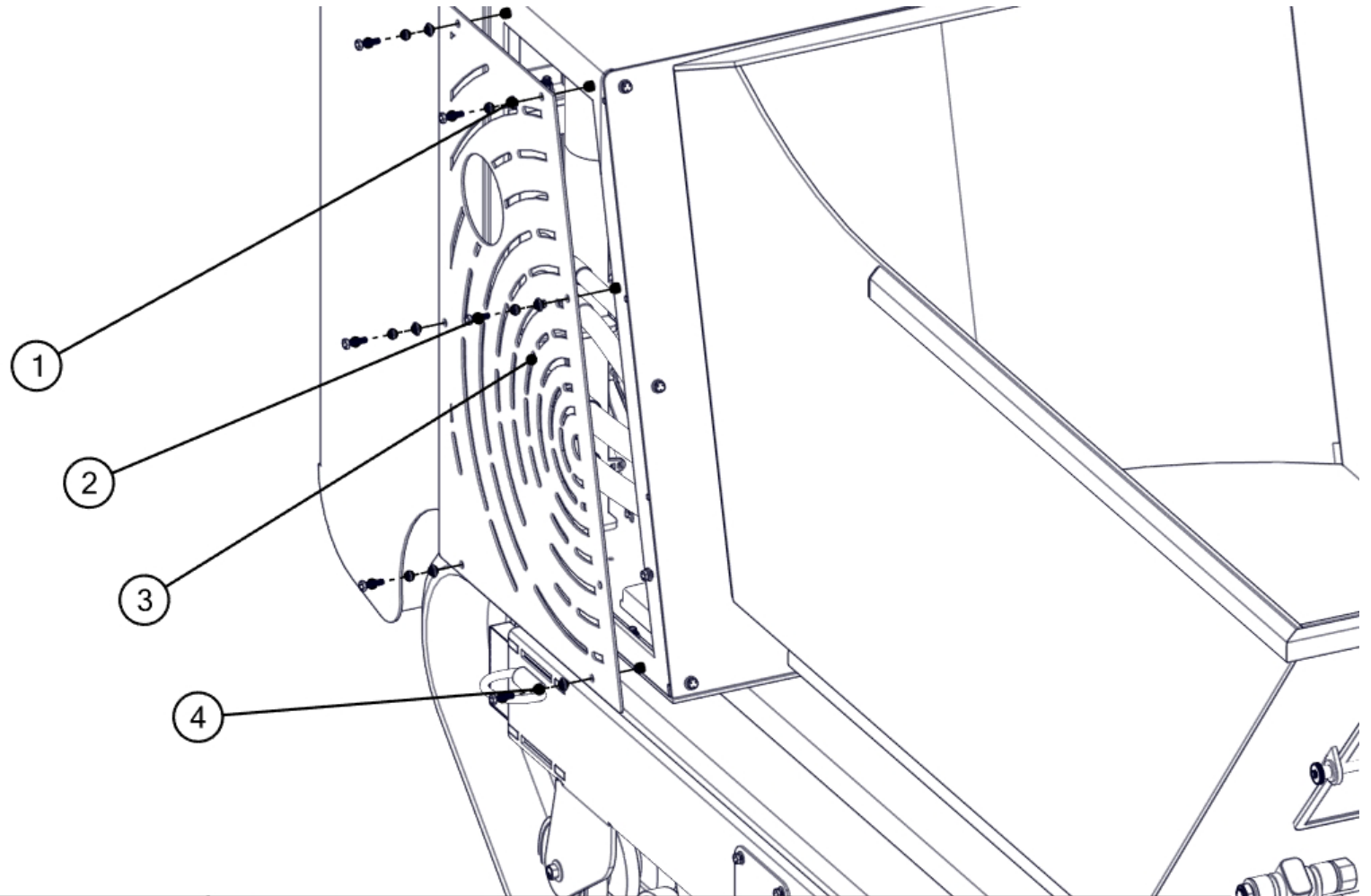
BOM ID	PartNo	Sales Description
4	TB84	TB84
5	.6400-08-08	Straight Fitting



BOM ID	PartNo	Sales Description
1	100-0-126	Operator Pad
2	100-0-254	Panel Quick Latch
3	31355-1087m	TB Back Panel
4	WISS38	Stainless Steel Washer for 3/8" Screw Size, 0.406" ID, 0.75" OD
5	100-0-255	Panel Pin
6	NIZ1420	Thin Hex Nut, Grade 5, 1/4"-20 Thread Size
7	WIZ14	1/4" SAE Flat Washer
8	LWIZ38	Zinc-Plated Steel Split Lock Washer for 3/8" Screw Size, 0.385" ID, 0.68" OD
9	TLNIZ1428	Low-Strength Steel Thin Nylon-Insert Locknut .25 28
10	BIZ381678	Hex Head Screw, Zinc-Plated, 3/8"-16 Thread Size, 7/8" Long

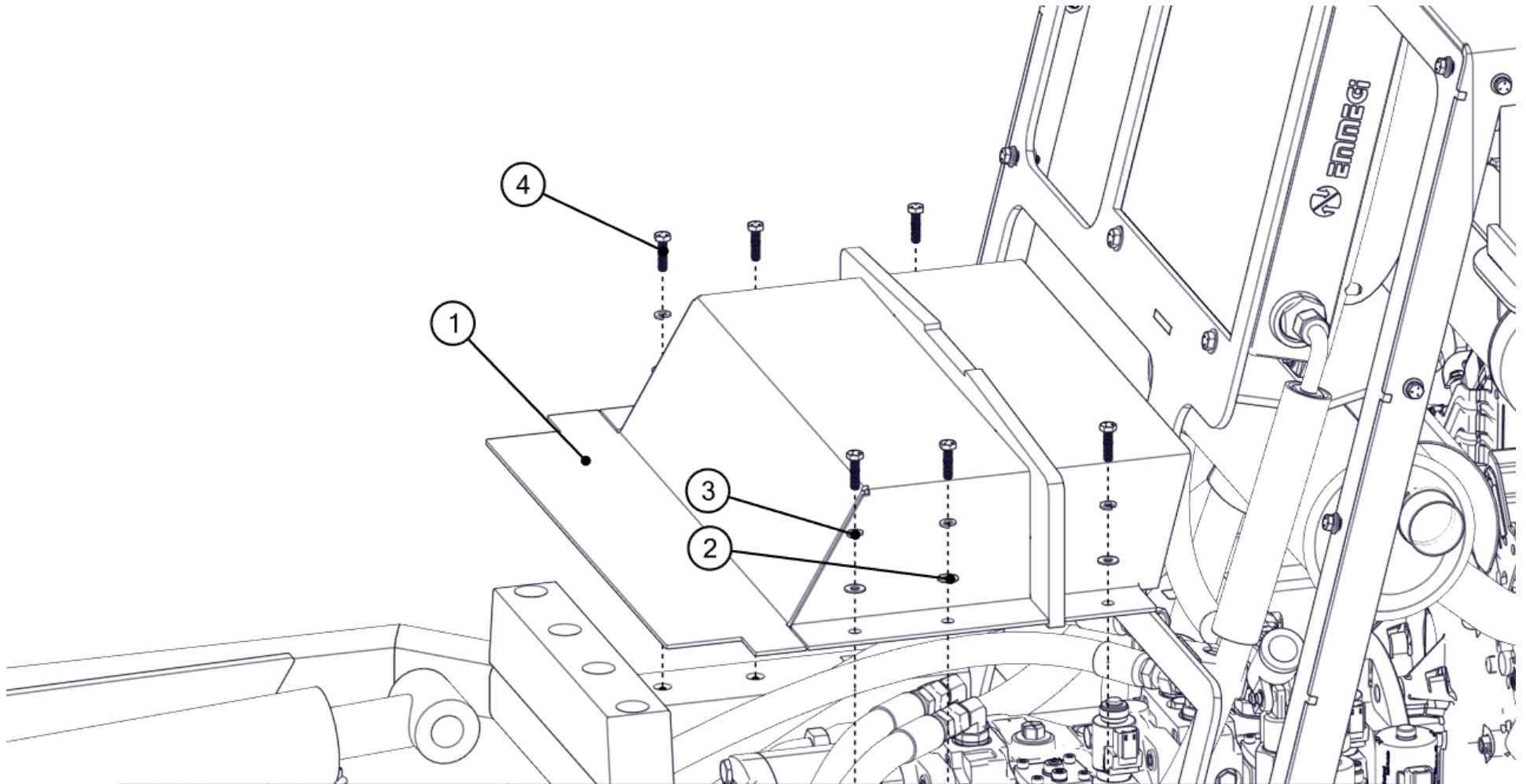


BOM ID	PartNo	Sales Description
1	31355-1159m	MB Front Panel B
2	SWIZ25	.25 Zinc-Plated Steel Split Lock Washer
3	31355-0018m	TB Exhaust Panel Assembly
4	WIZ14	1/4" SAE Flat Washer
5	BIZ14201	Hex Head Screw, Zinc-Plated, 1/4"-20 Thread Size, 1" Lon



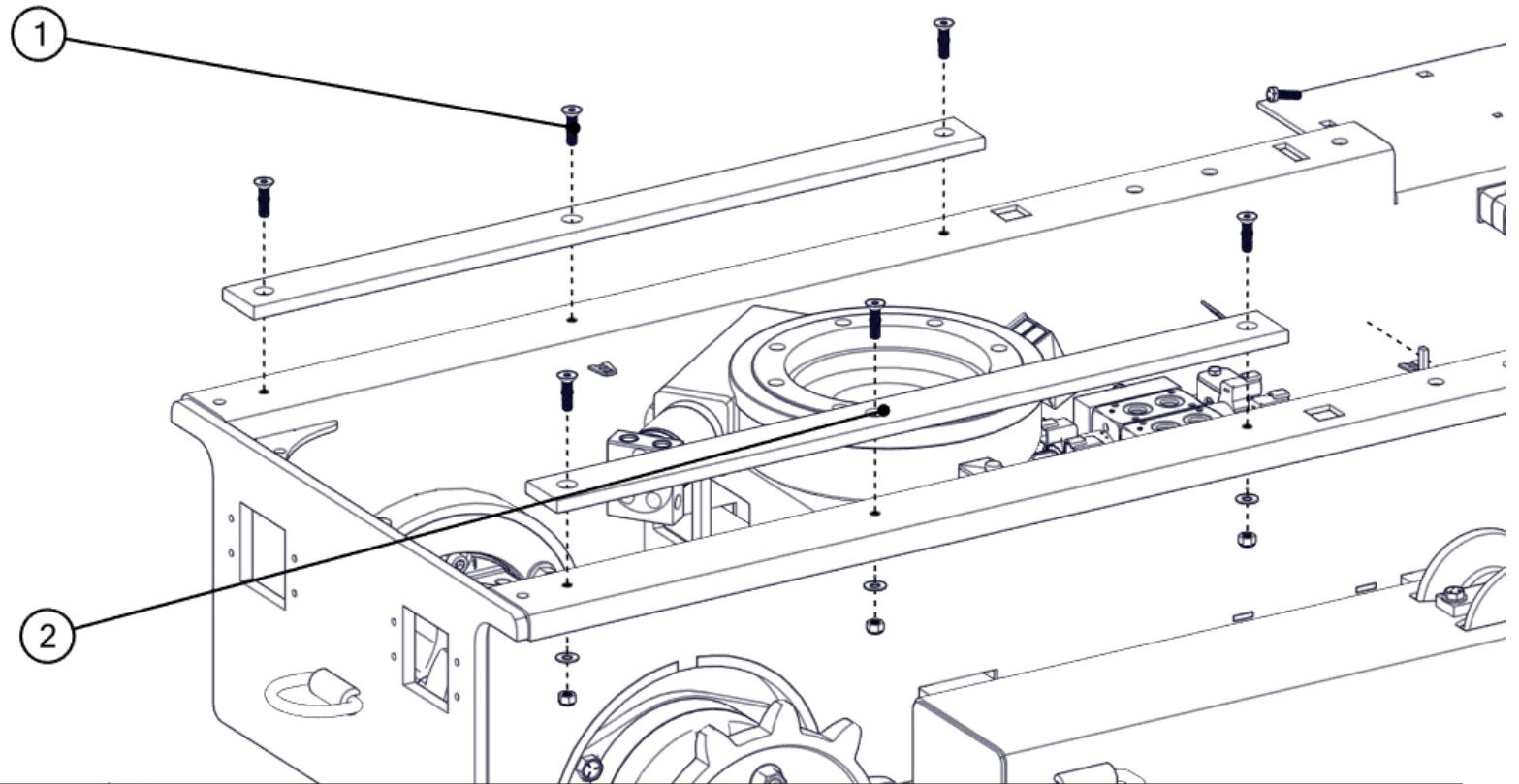
BOM ID	PartNo	Sales Description
1	WIZ14	1/4" SAE Flat Washer
2	BIZ14201	Hex Head Screw, Zinc-Plated, 1/4"-20 Thread Size, 1" Lon
3	31355-1171m	TB Right Panel
4	SWIZ25	.25 Zinc-Plated Steel Split Lock Washer

## Right Panel

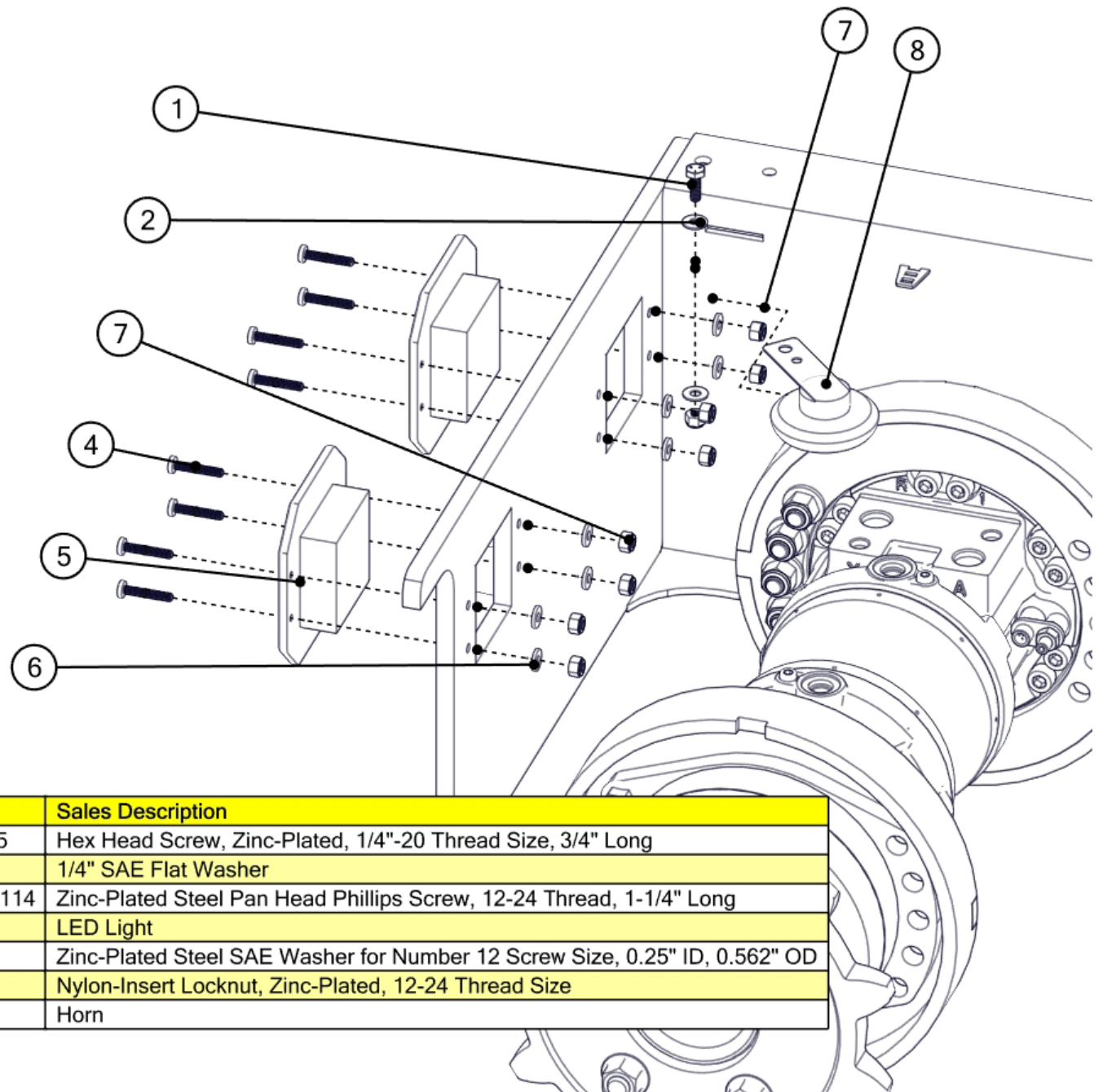


BOM ID	PartNo	Sales Description
1	31355-1072m	MB Pump Cover Assembly
2	WIZ14	1/4" SAE Flat Washer
3	SWIZ25	.25 Zinc-Plated Steel Split Lock Washer
4	BIZ14201	Hex Head Screw, Zinc-Plated, 1/4"-20 Thread Size, 1" Lon

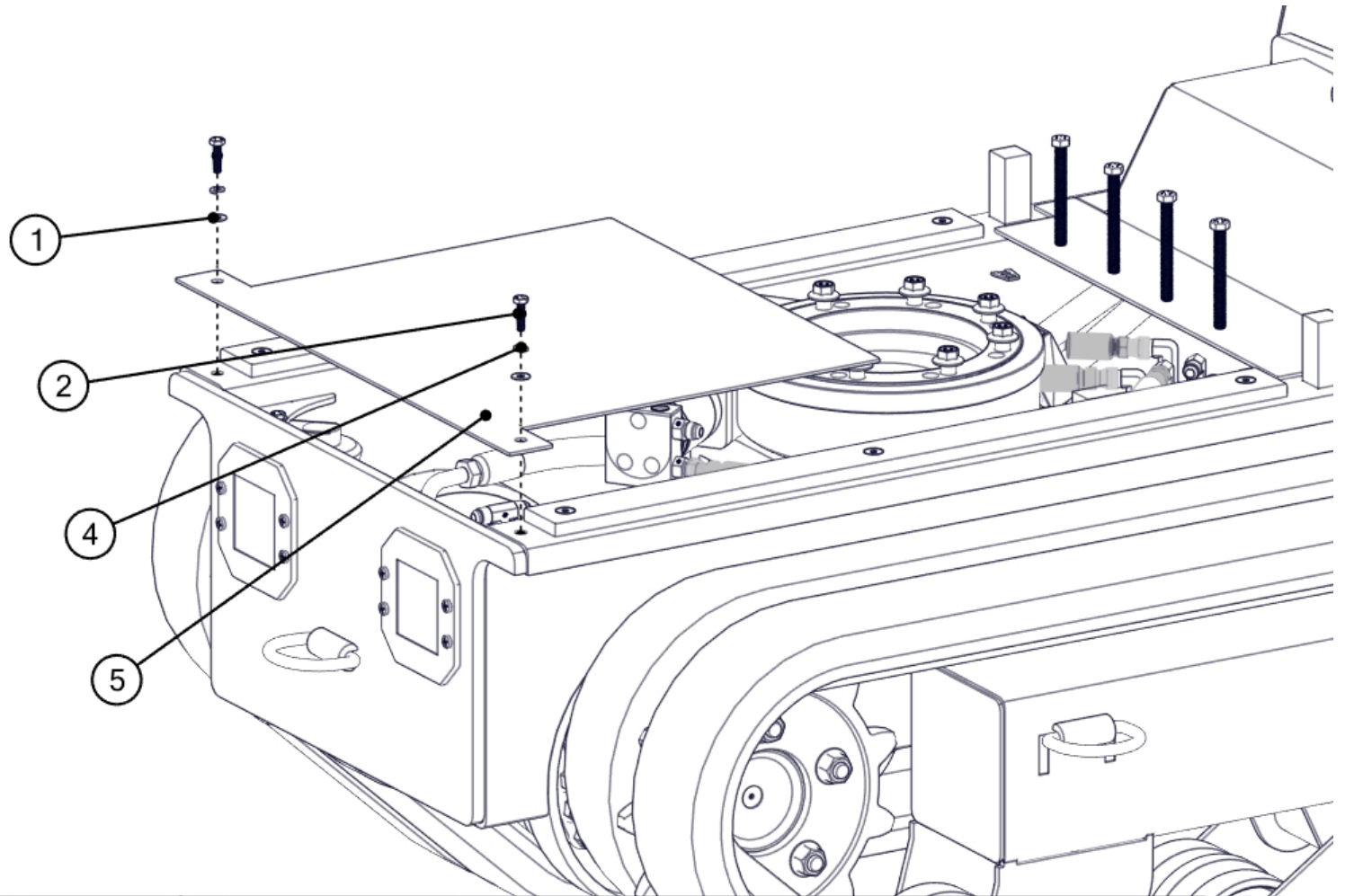
## Pump Cover



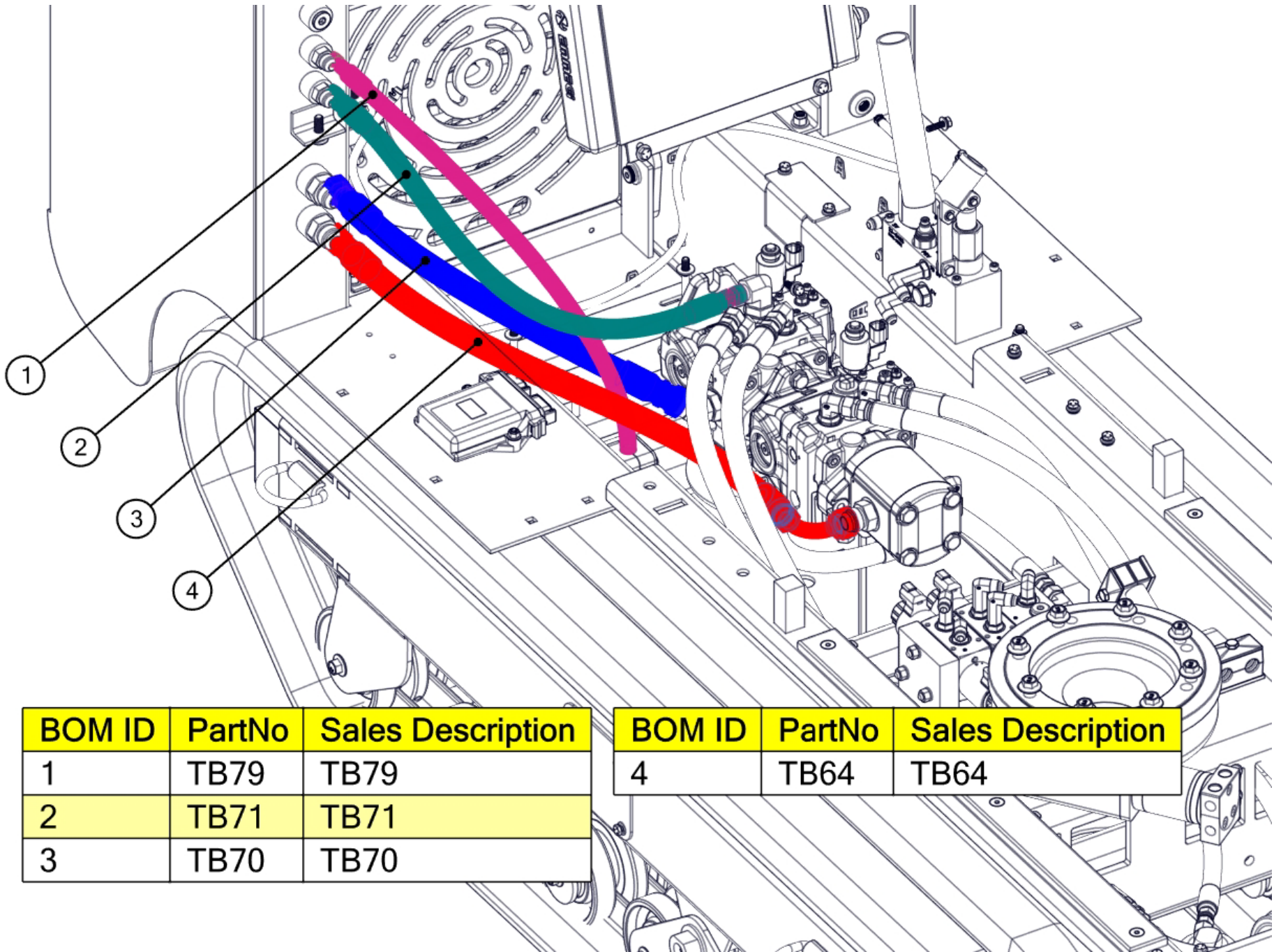
BOM ID	PartNo	Sales Description
1	FHIZ51618114	Zinc-Plated Alloy Steel Hex Drive Flat Head Screw, 5/16"-18 Thread Size, 1-1/4" Long
2	31355-1106	Wear Strip



BOM ID	PartNo	Sales Description
1	BIZ142575	Hex Head Screw, Zinc-Plated, 1/4"-20 Thread Size, 3/4" Long
2	WIZ14	1/4" SAE Flat Washer
4	PHIZ1224114	Zinc-Plated Steel Pan Head Phillips Screw, 12-24 Thread, 1-1/4" Long
5	100-0-81	LED Light
6	WIZ12	Zinc-Plated Steel SAE Washer for Number 12 Screw Size, 0.25" ID, 0.562" OD
7	LNIZ1224	Nylon-Insert Locknut, Zinc-Plated, 12-24 Thread Size
8	100-0-4	Horn



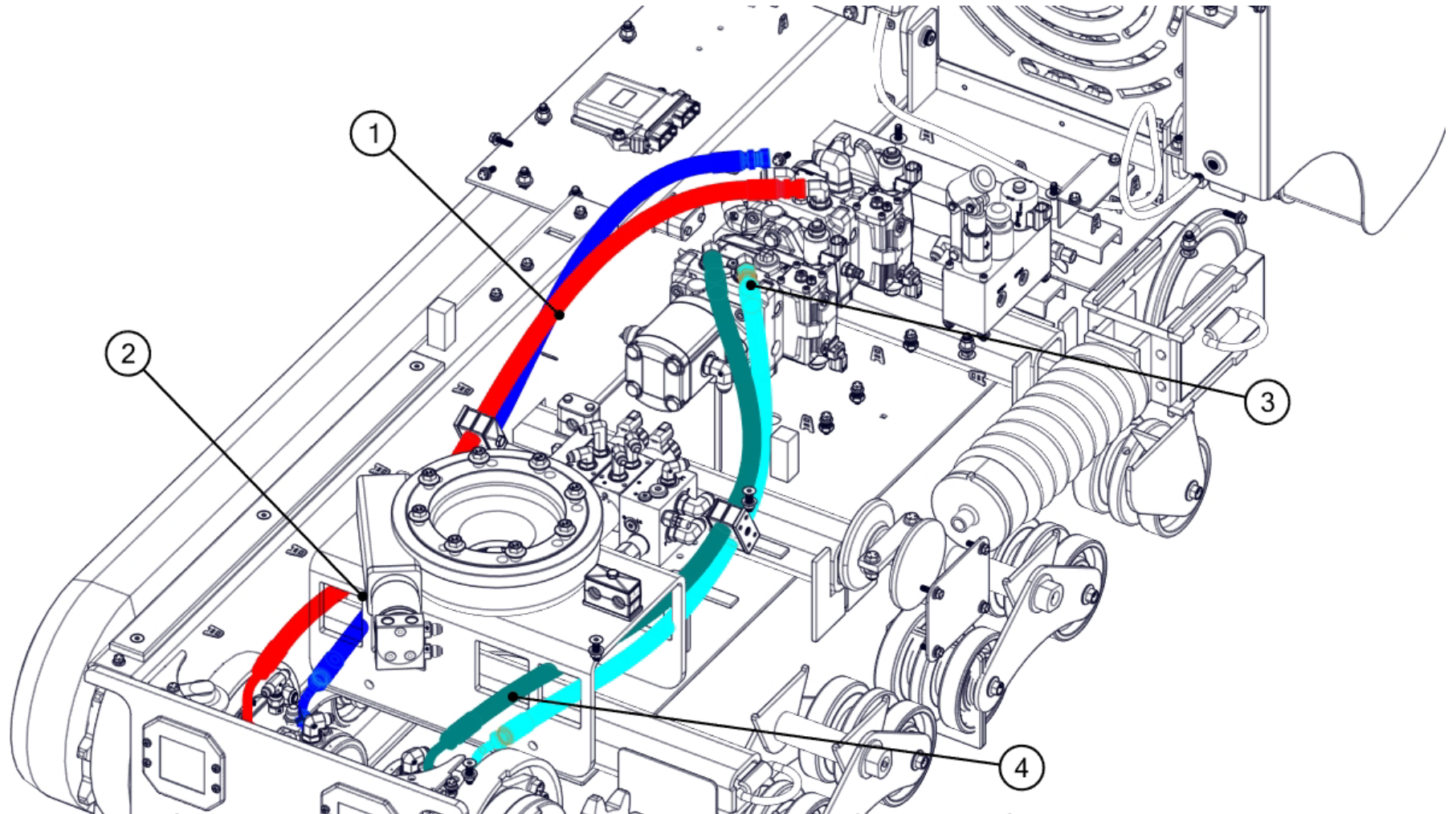
BOM ID	PartNo	Sales Description
1	WIZ14	1/4" SAE Flat Washer
2	BIZ14201	Hex Head Screw, Zinc-Plated, 1/4"-20 Thread Size, 1" Lon
4	SWIZ25	.25 Zinc-Plated Steel Split Lock Washer
5	31355-1118m	MB Motor Cover



BOM ID	PartNo	Sales Description
1	TB79	TB79
2	TB71	TB71
3	TB70	TB70

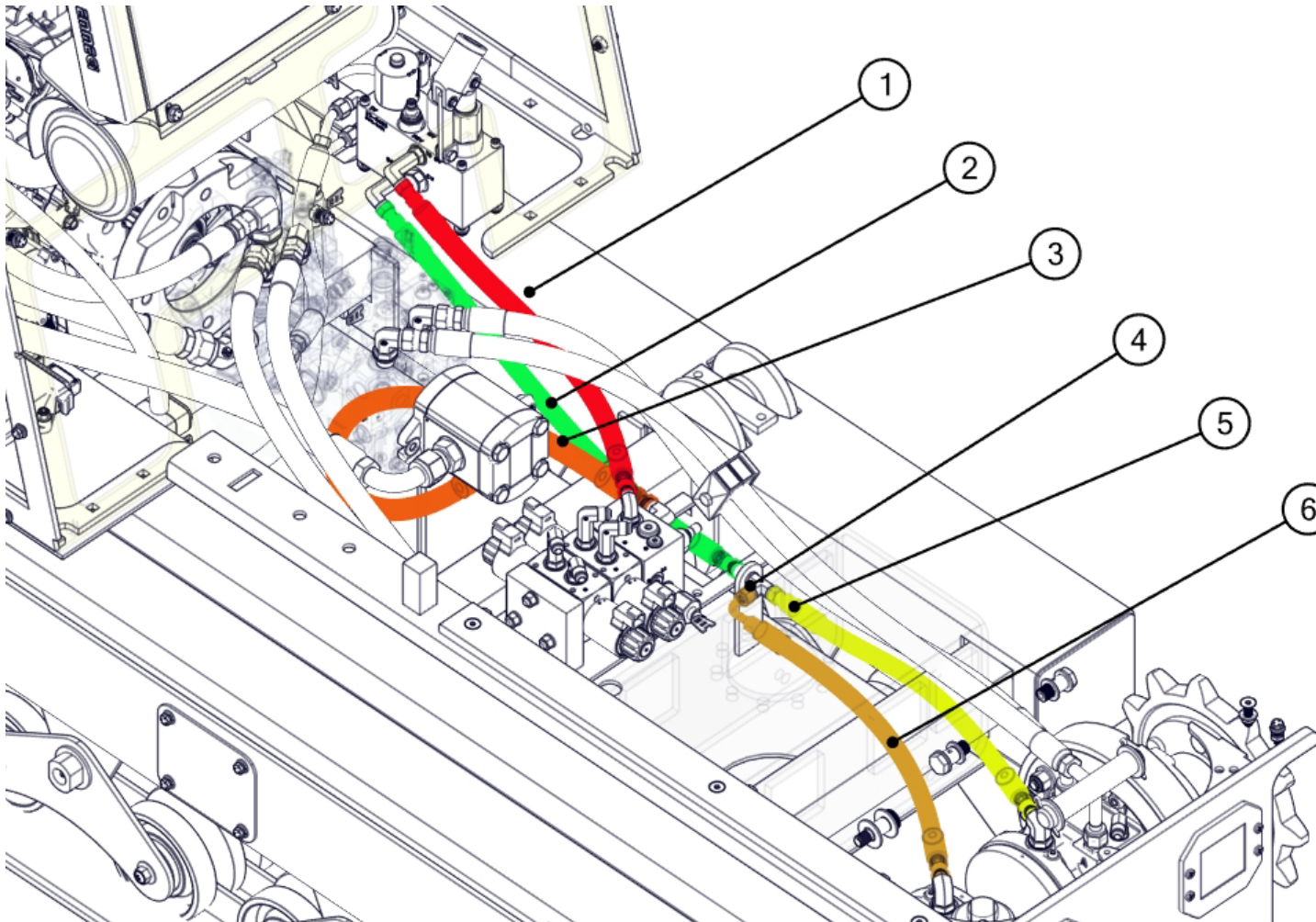
BOM ID	PartNo	Sales Description
4	TB64	TB64

## Tank Hoses



BOM ID	PartNo	Sales Description
1	TB66	TB66
2	TB65	TB65
3	TB67	TB67

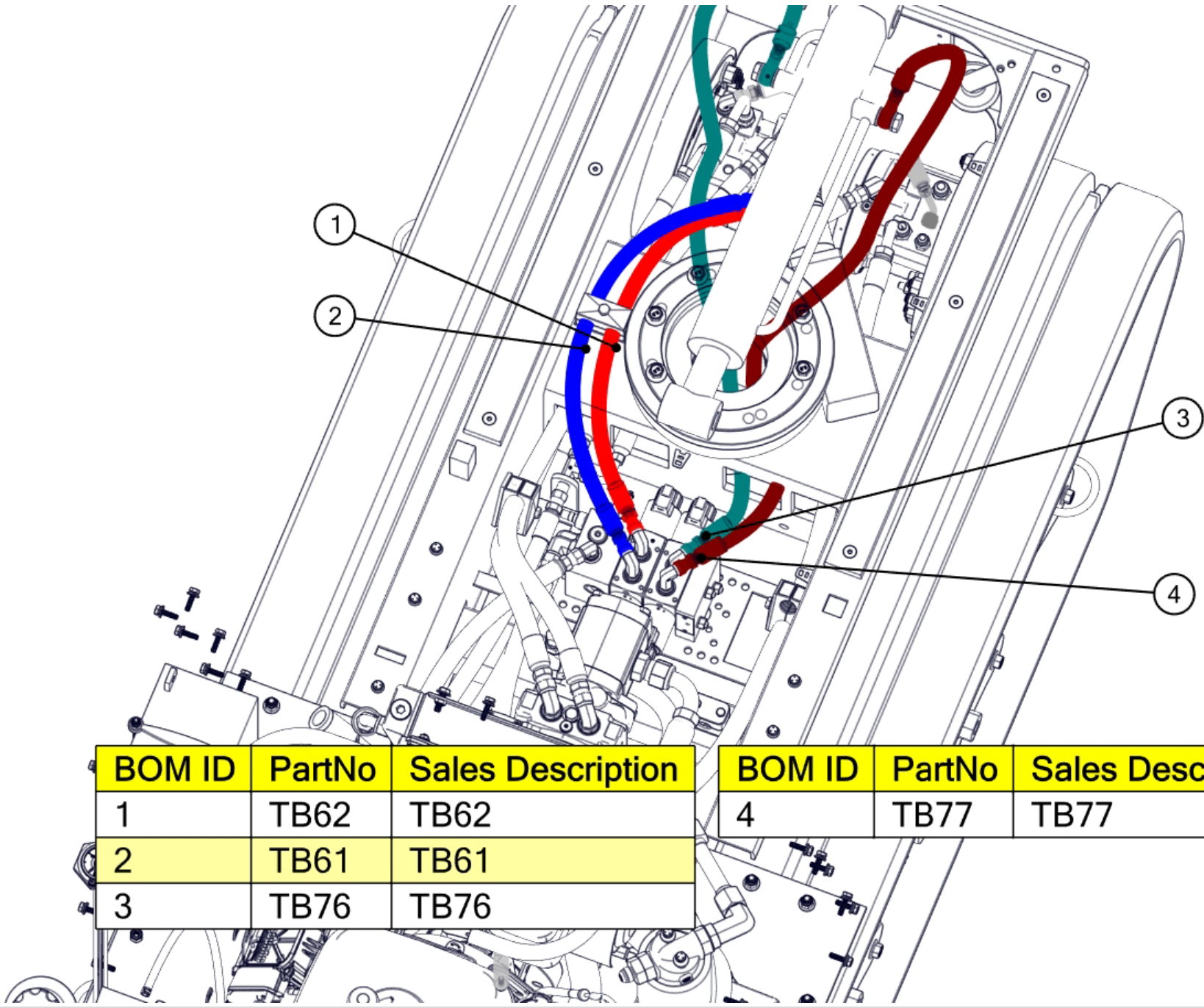
BOM ID	PartNo	Sales Description
4	TB68	TB68



BOM ID	PartNo	Sales Description
1	TB60	TB60
2	TB75	TB75
3	TB74	TB74
4	.2704-06-06-06	.2704-06-06-06

BOM ID	PartNo	Sales Description
5	TB82	TB82
6	TB83	TB83

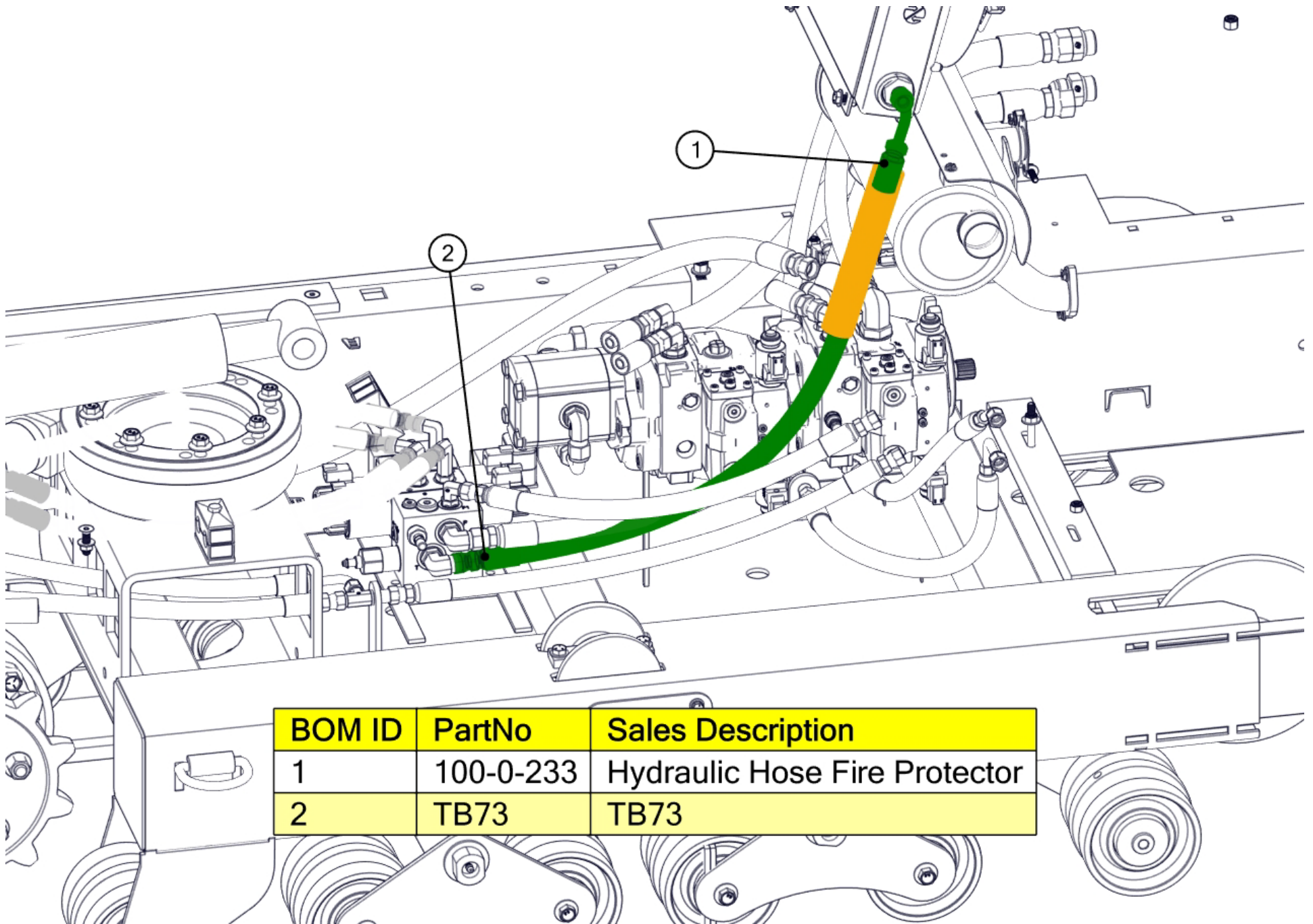
## Hand Pump Hoses



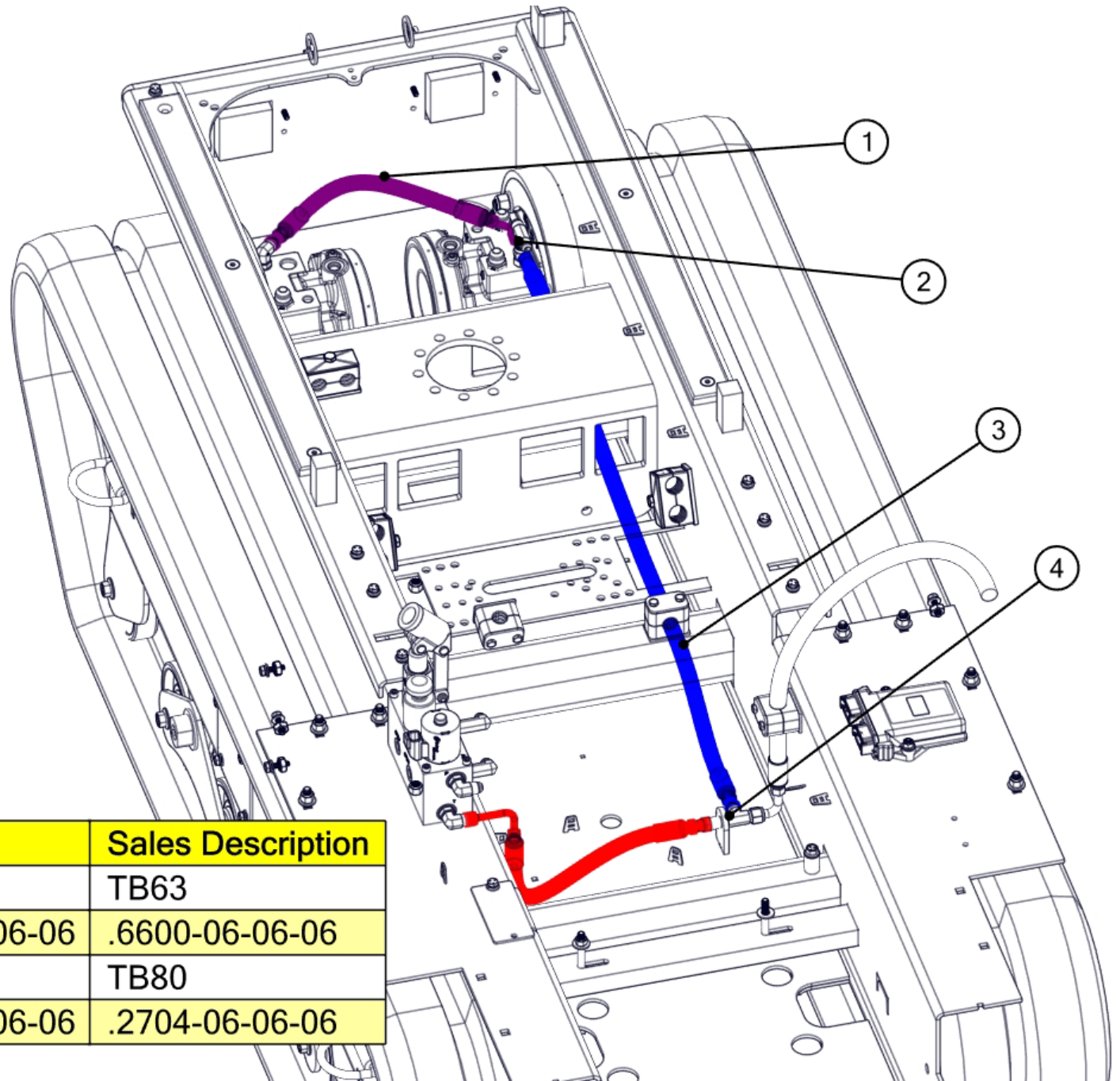
BOM ID	PartNo	Sales Description
1	TB62	TB62
2	TB61	TB61
3	TB76	TB76

BOM ID	PartNo	Sales Description
4	TB77	TB77

## Auxiliary Hoses

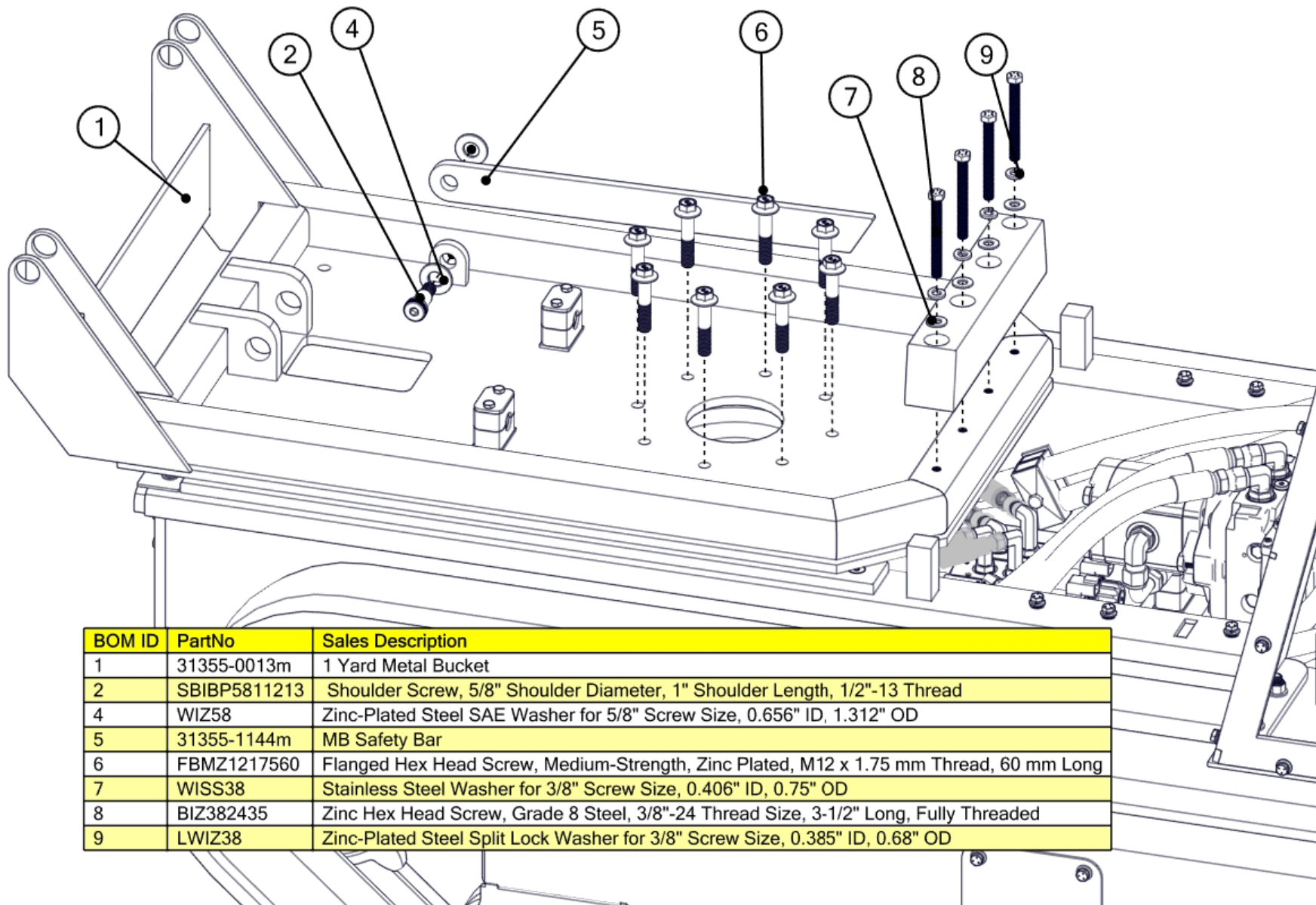


## Cooler Hose

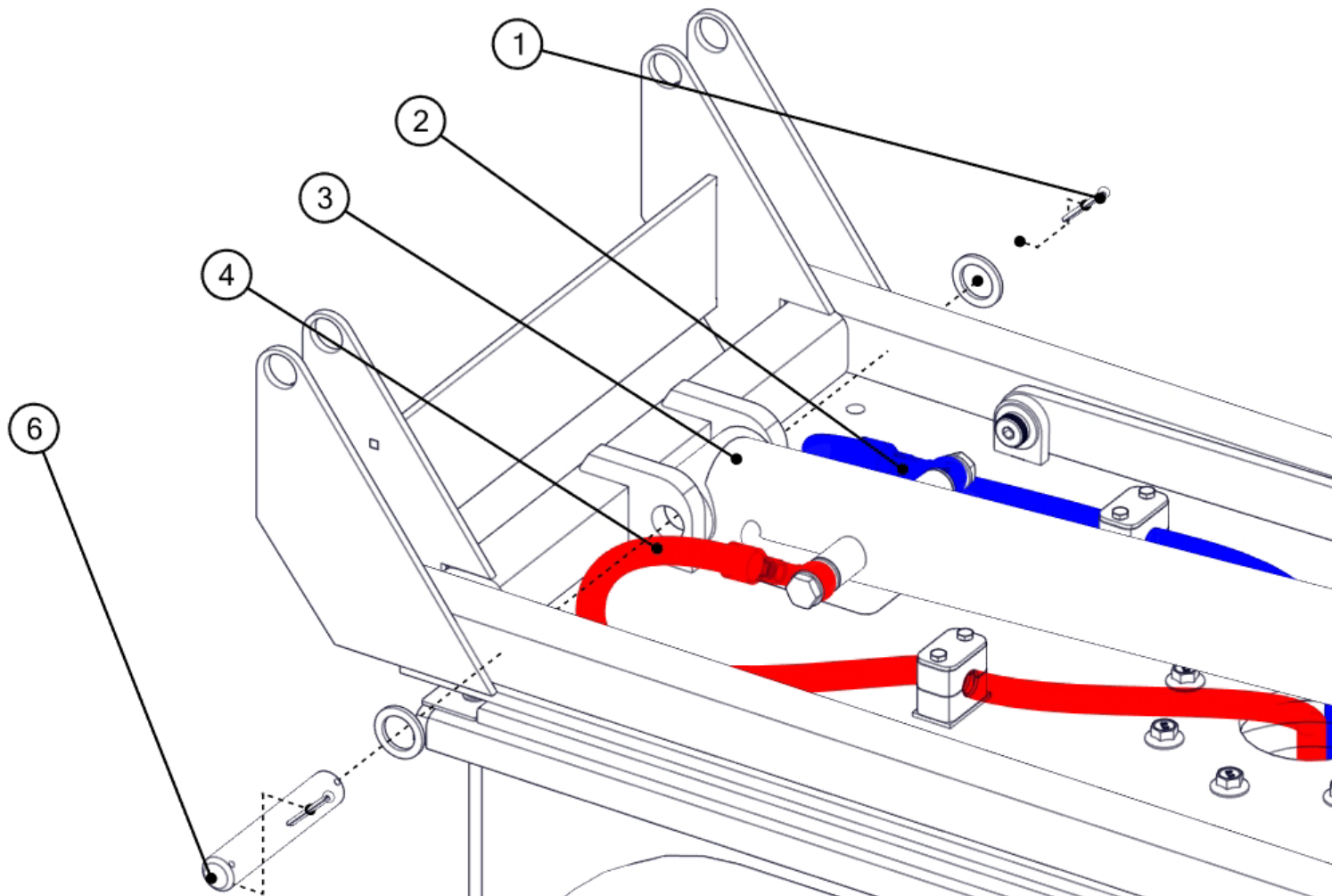


BOM ID	PartNo	Sales Description
1	TB63	TB63
2	.6600-06-06-06	.6600-06-06-06
3	TB80	TB80
4	.2704-06-06-06	.2704-06-06-06

## Drain Hose

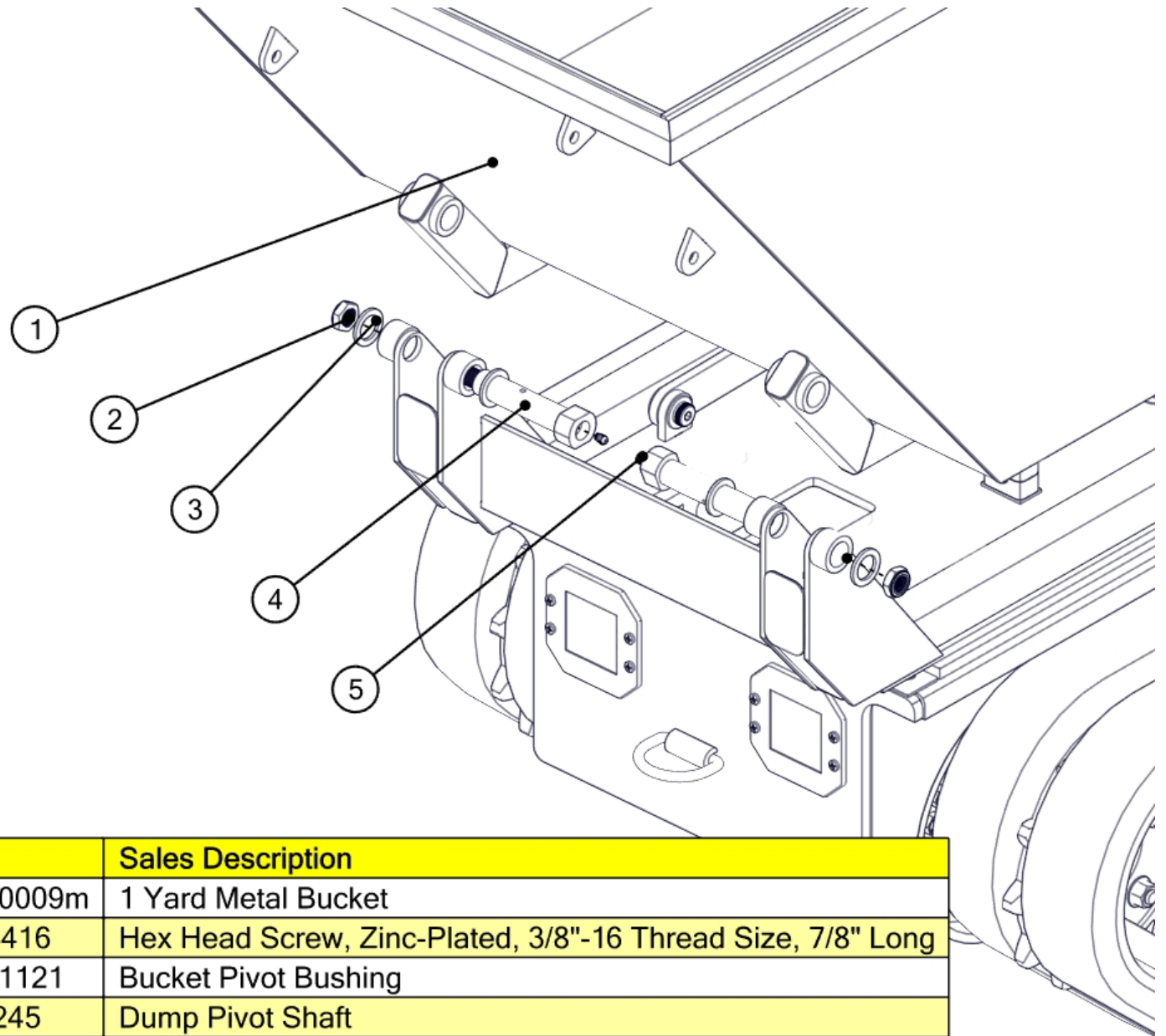


BOM ID	PartNo	Sales Description
1	31355-0013m	1 Yard Metal Bucket
2	SBIBP5811213	Shoulder Screw, 5/8" Shoulder Diameter, 1" Shoulder Length, 1/2"-13 Thread
4	WIZ58	Zinc-Plated Steel SAE Washer for 5/8" Screw Size, 0.656" ID, 1.312" OD
5	31355-1144m	MB Safety Bar
6	FBMZ1217560	Flanged Hex Head Screw, Medium-Strength, Zinc Plated, M12 x 1.75 mm Thread, 60 mm Long
7	WISS38	Stainless Steel Washer for 3/8" Screw Size, 0.406" ID, 0.75" OD
8	BIZ382435	Zinc Hex Head Screw, Grade 8 Steel, 3/8"-24 Thread Size, 3-1/2" Long, Fully Threaded
9	LWIZ38	Zinc-Plated Steel Split Lock Washer for 3/8" Screw Size, 0.385" ID, 0.68" OD

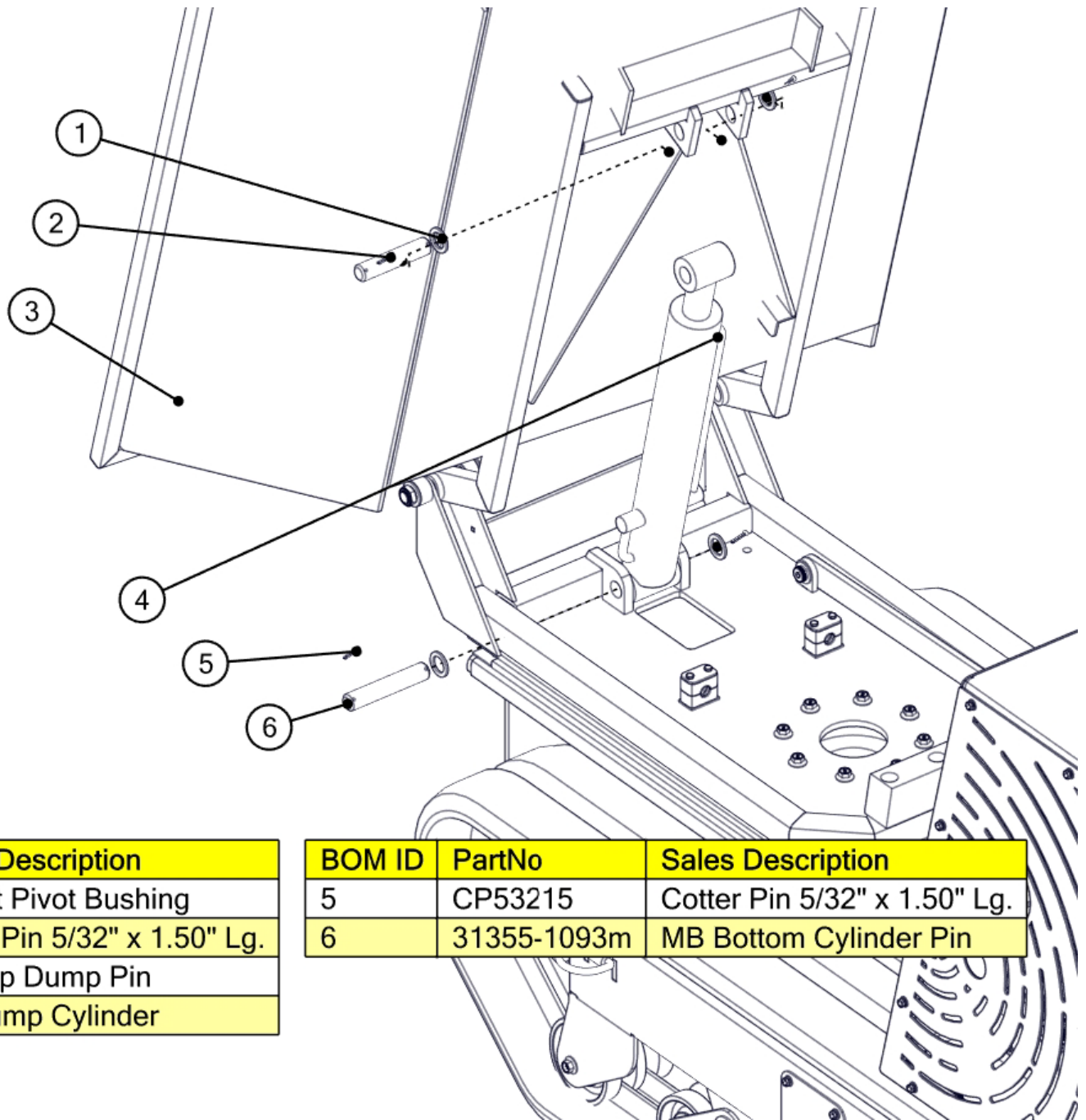


BOM ID	PartNo	Sales Description
1	CP53215	Cotter Pin 5/32" x 1.50" Lg.
2	TB77	TB77
3	100-0-87	MB Dump Cylinder

BOM ID	PartNo	Sales Description
4	TB76	TB76
6	31355-1093m	MB Bottom Cylinder Pin



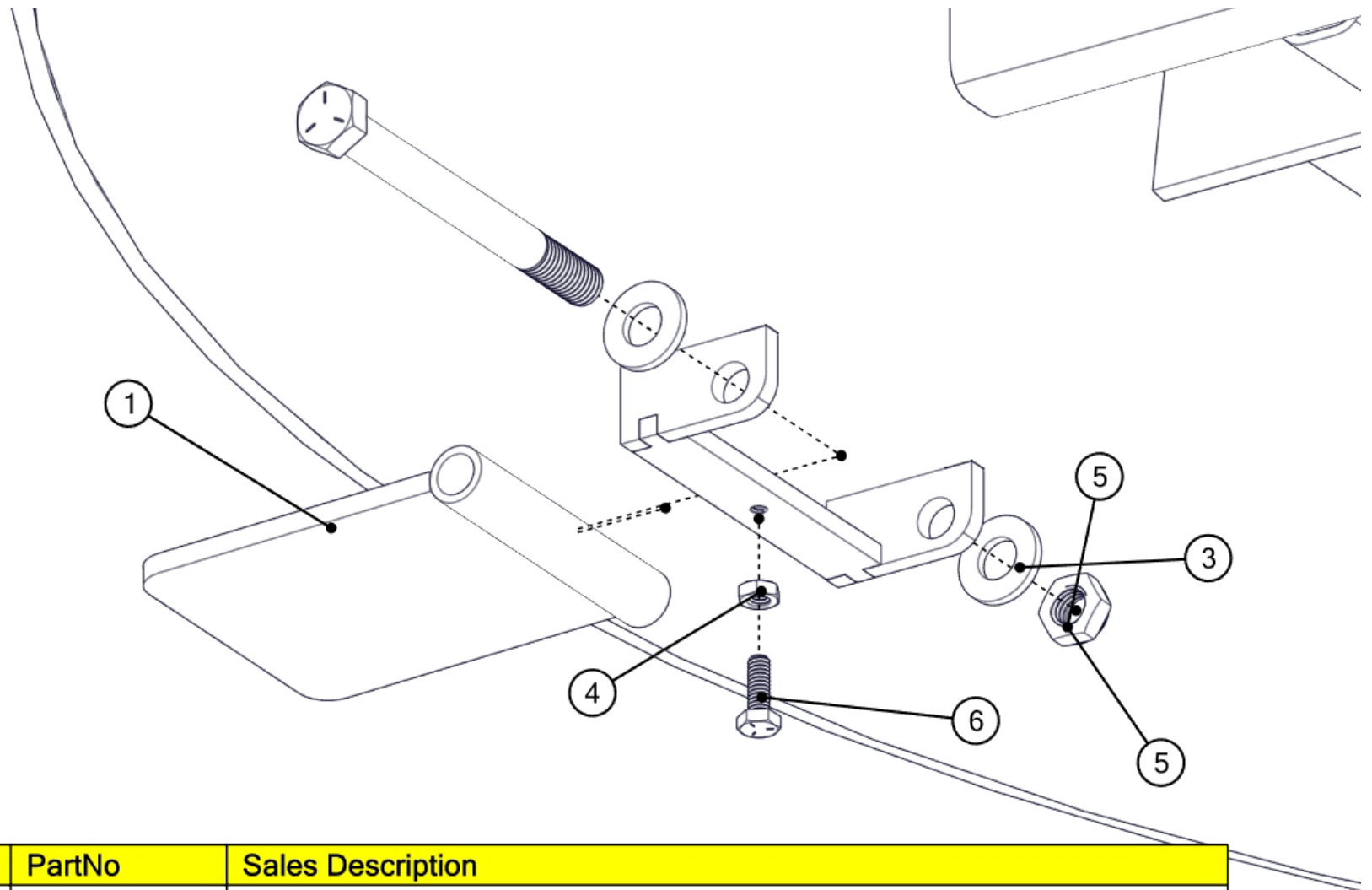
BOM ID	PartNo	Sales Description
1	31355-0009m	1 Yard Metal Bucket
2	NLJIZ3416	Hex Head Screw, Zinc-Plated, 3/8"-16 Thread Size, 7/8" Long
3	31355-1121	Bucket Pivot Bushing
4	100-0-245	Dump Pivot Shaft
5	GZIZ1428	1/4"-28 Straight Grease Zerk



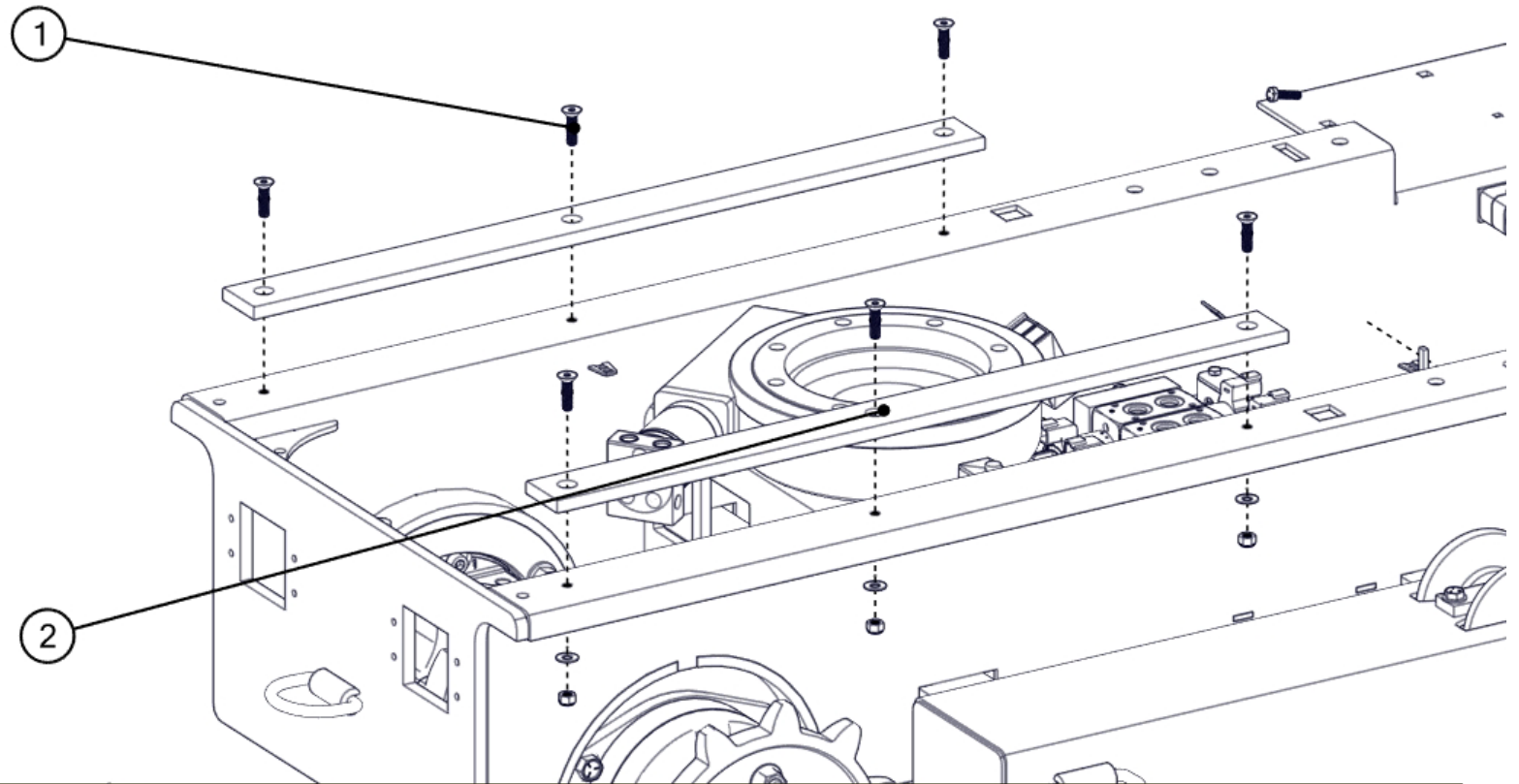
BOM ID	PartNo	Sales Description
1	31355-1121	Bucket Pivot Bushing
2	CP53215	Cotter Pin 5/32" x 1.50" Lg.
3	31355-1092m	MB Top Dump Pin
4	100-0-87	MB Dump Cylinder

BOM ID	PartNo	Sales Description
5	CP53215	Cotter Pin 5/32" x 1.50" Lg.
6	31355-1093m	MB Bottom Cylinder Pin

## Dump Cylinder



BOM ID	PartNo	Sales Description
1	31355-1073m	Bucket Latch
3	WIZ5	Zinc-Plated Steel SAE Washer for 1/2" Screw Size, 0.531" ID, 1.062" OD
4	NIZ1420	Thin Hex Nut, Grade 5, 1/4"-20 Thread Size
5	NLJIZ1213	Steel Thin Nylon-Insert Locknut, Zinc-Plated, 1/2"-13 Thread Size
6	BIZ142575	Hex Head Screw, Zinc-Plated, 1/4"-20 Thread Size, 3/4" Long



BOM ID	PartNo	Sales Description
1	FHIZ51618114	Zinc-Plated Alloy Steel Hex Drive Flat Head Screw, 5/16"-18 Thread Size, 1-1/4" Long
2	31355-1106	Wear Strip